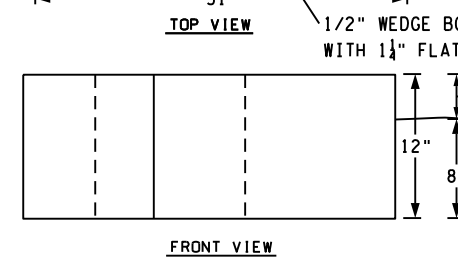
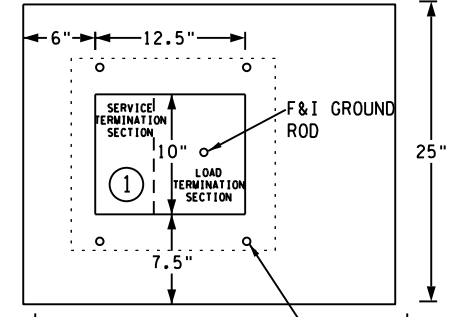


reutlon1 T79CLW161FRW047 TMS
 pw: \\p81.ad.dot.state.mn.us:cddp\Documents\Projects\DM_R05\Non_Project\Fr00ps\Detail\Drawings\CAB_LOOP_MISC\cab_loop_misc.dtl.dwg PLOTTED: 2/23/2023 2:28:48 PM

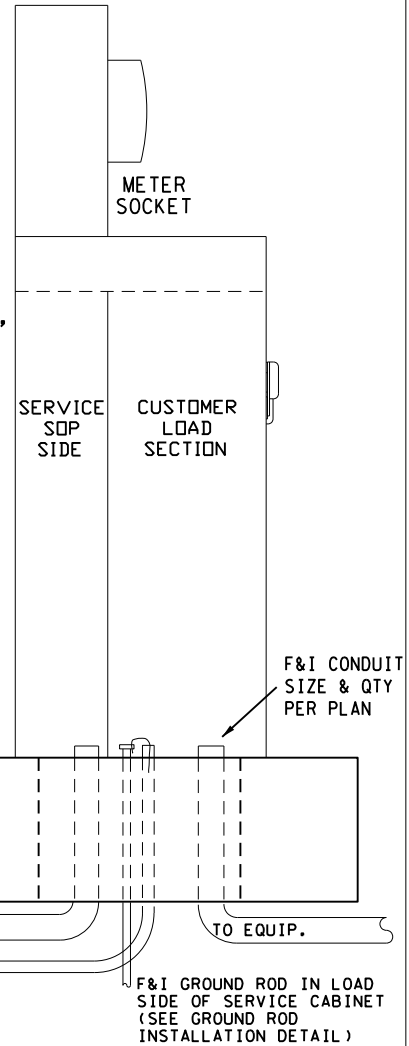
STAND-ALONE SERVICE FOUNDATION
(SEE TMS SERVICE EQUIPMENT DETAIL)

① AFTER FOUNDATION AND CONDUITS ARE SET, FILL CONDUIT & LIFTING EYE OPENINGS WITH SAND AND PLACE 1 INCH OF GROUT FLUSH WITH SURFACE OF FOUNDATION.

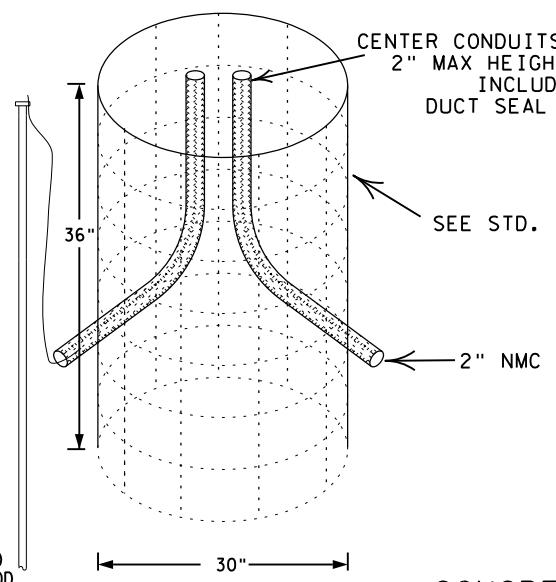
IF FOUNDATION INCLUDES INTERNAL GROUND WIRE, ATTACH TO SERVICE CABINET GROUND BUS.



3/4" NMC TO SECONDARY GROUND ROD SET 6" FROM CAB. GND. ROD (SEE GROUND ROD INSTALLATION DETAIL)



SEE STD. PLATE 8112 FOR ANCHOR BOLT REQUIREMENTS



CONCRETE RAMP CONTROL SIGNAL FOUNDATION
(SEE RAMP CONTROL SIGNAL DETAIL)

REVISED 2/23/23

REV. NO.	DATE:	/ /
REV. NO.	DATE:	/ /

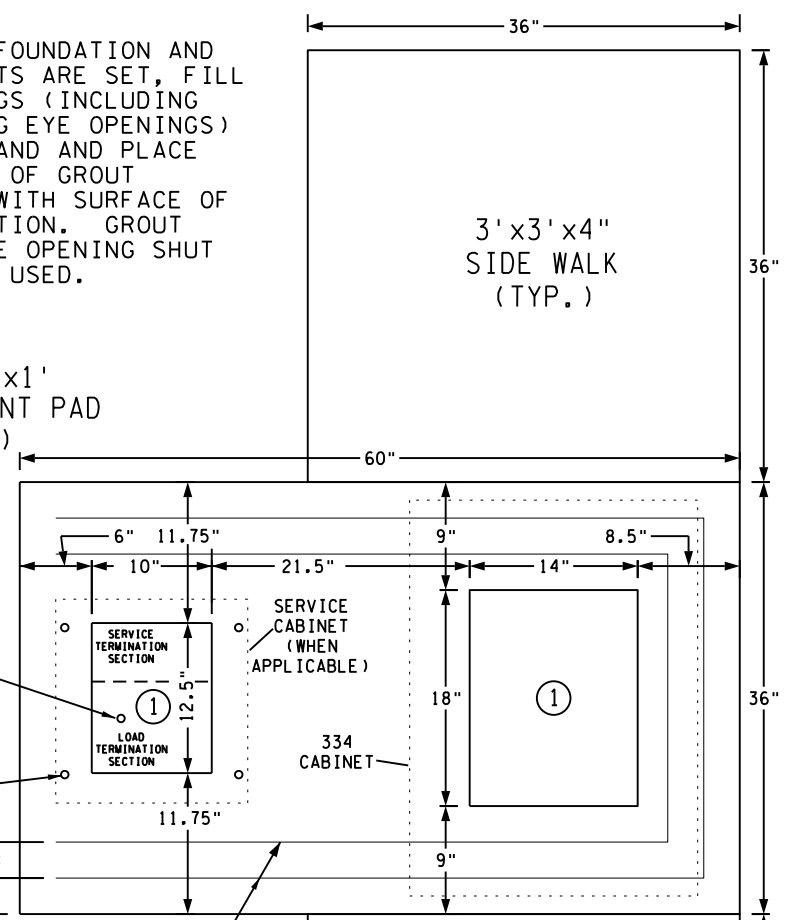
CERTIFIED BY _____
LICENSED PROFESSIONAL ENGINEER

① AFTER FOUNDATION AND CONDUITS ARE SET, FILL OPENINGS (INCLUDING LIFTING EYE OPENINGS) WITH SAND AND PLACE 1 INCH OF GROUT FLUSH WITH SURFACE OF FOUNDATION. GROUT SERVICE OPENING SHUT IF NOT USED.

3'x5'x1' EQUIPMENT PAD
(TYP.)

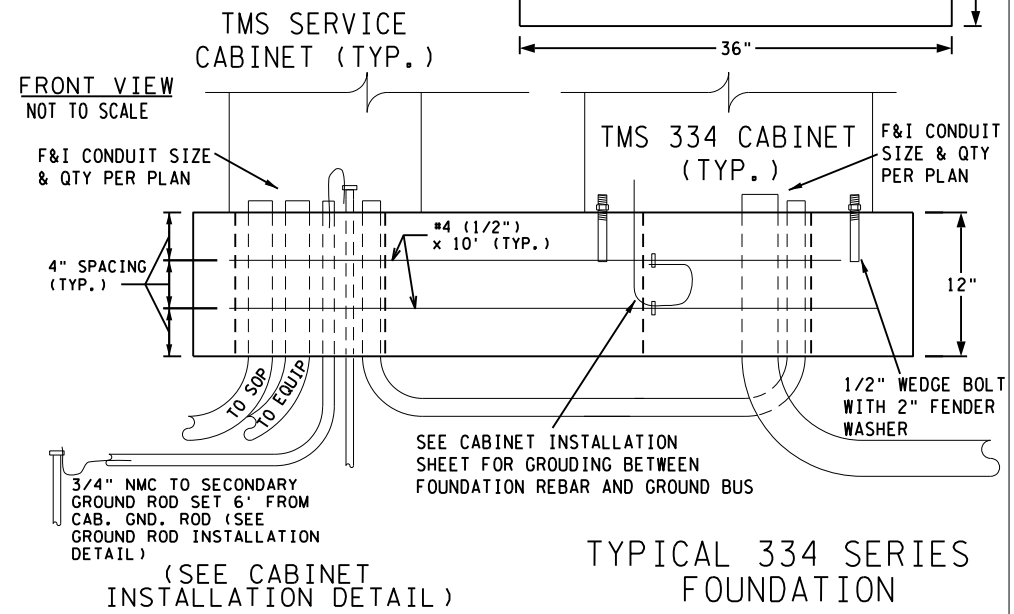
F&I GROUND ROD. NOTE: PLACE GROUND ROD WITHIN 334 CAB IF SERVICE IS NOT PRESENT ON PAD. (SEE GROUND ROD INSTALLATION DETAIL)

1/2" WEDGE BOLT WITH 1 1/4" FLAT WASHER
3" SPACING TYP.



TOP VIEW
NOT TO SCALE

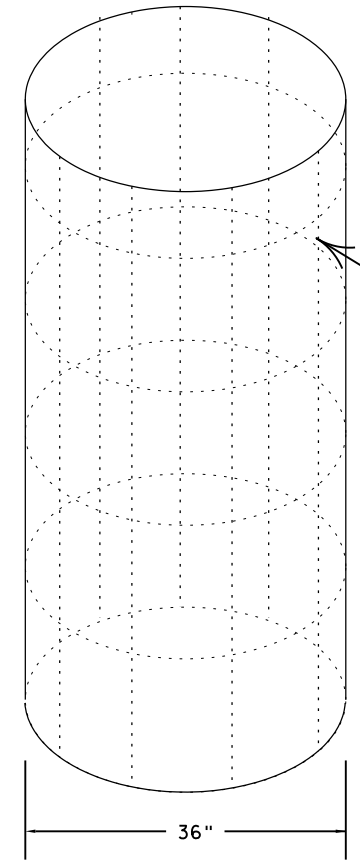
SEE STD. PLATE 8119



TYPICAL 334 SERIES FOUNDATION
(SEE CABINET INSTALLATION DETAIL)

SEE STD. PLATE 8120 FOR ANCHOR BOLT REQUIREMENTS
NOTE: VERIFY ANCHOR BOLT PATTERN WITH MANUFACTURER PRIOR TO PLACING FOUNDATION. ANCHOR BOLT PATTERN MAY VARY DEPENDING ON CCTV POLE LENGTH.

8' MIN.



CCTV POLE FOUNDATION
(SEE CCTV INSTALLATION DETAIL)

NOTE: ALL FOUNDATIONS TO BE SET LEVEL AND PLUMB. PROVIDE COMPACTION OF BACKFILL DURING INSTALLATION.

TYPICAL FOUNDATION DETAILS

LIC.NO. 12345 DATE 2021

STATE PROJ. NO. XXXX-XXX (TH XXX) SHEET NO. XXXX? OF XXXXX SHEETS