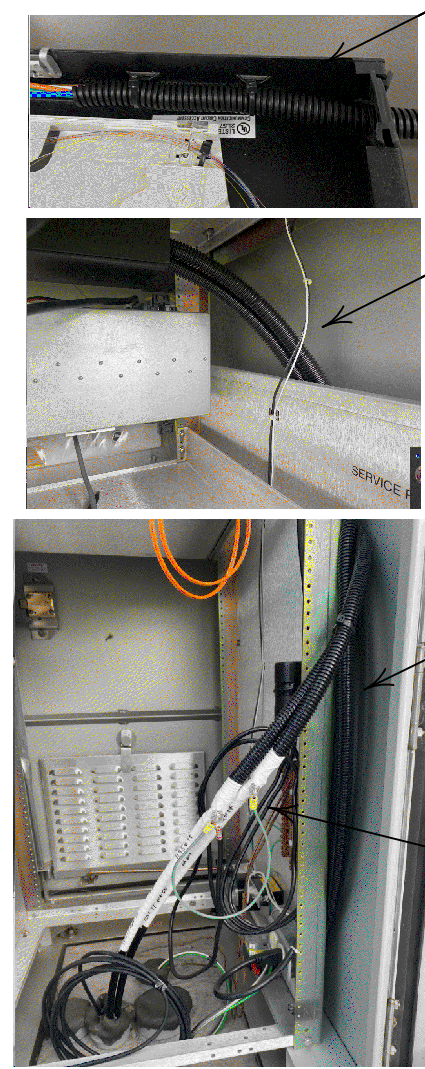
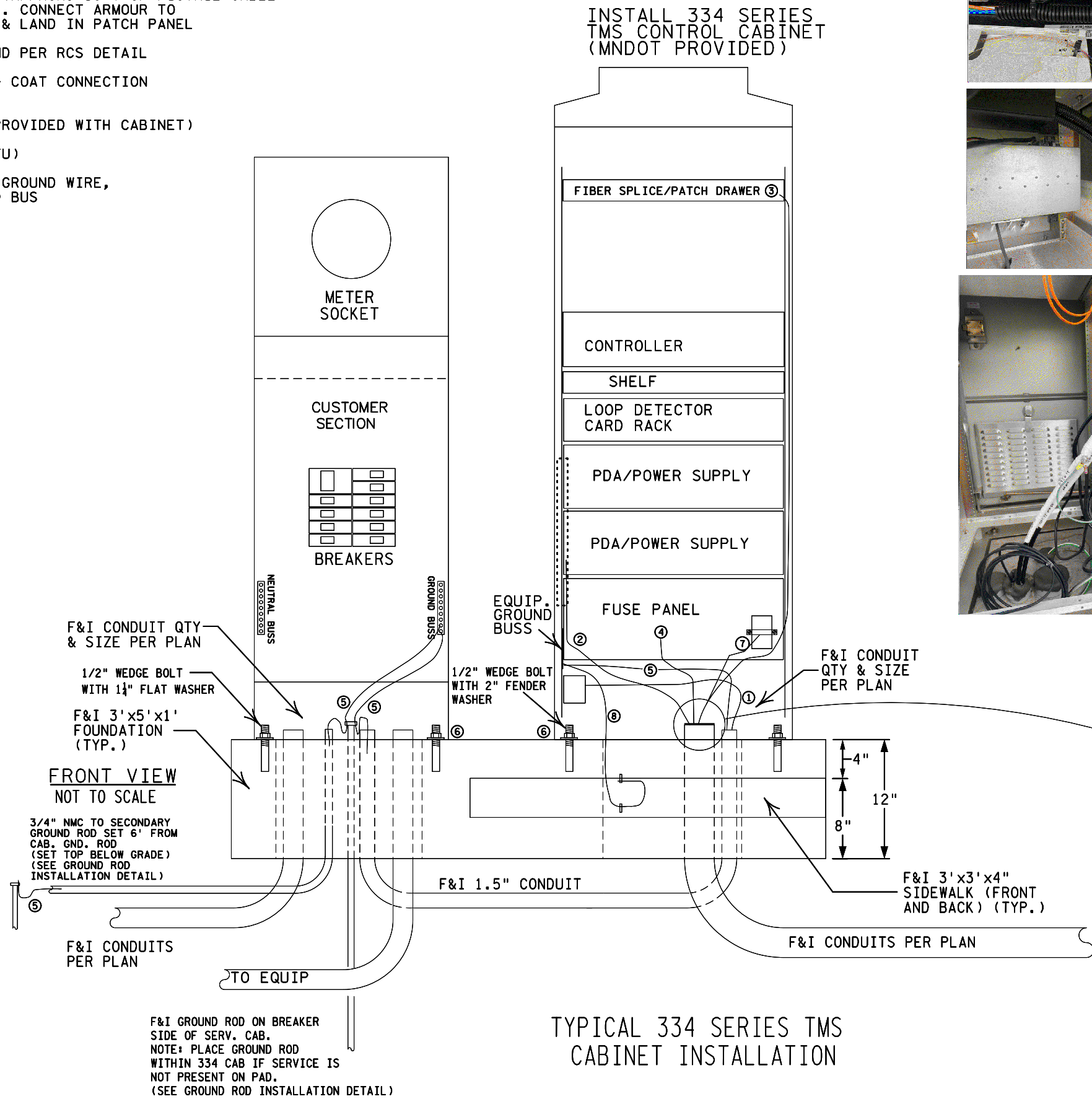
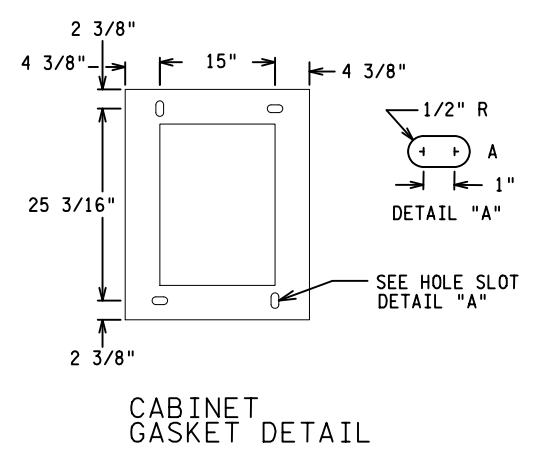


p:\p81.ad.dot.state.mm.us\cadd\Documents\Projects\DM\_R05\Non-Project\FrwOps\Detail\Drawings\CAB\_LOOP\_MISC\cab\_loop\_misc\_dtl.dwg PLOTTED: 4/16/2024 2:15:06 PM  
 reut1an1 T79CLW161FRW047 TMS

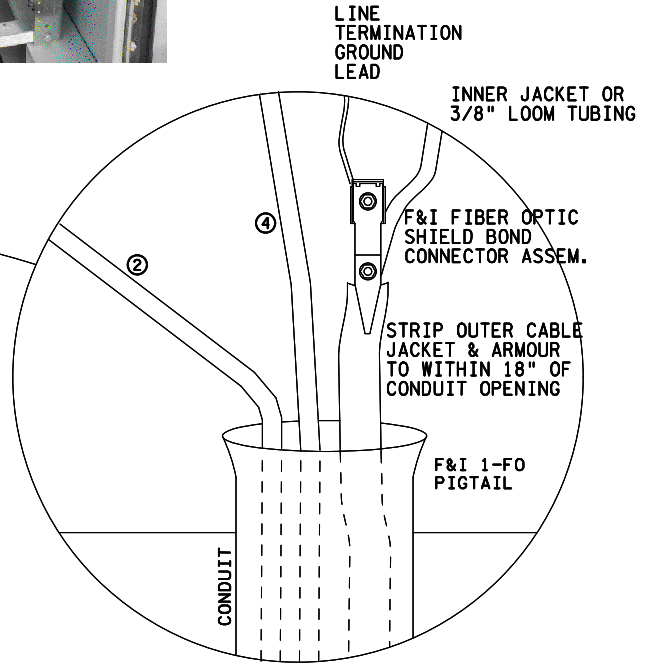
- ① F&I 3-1/C NO. 10 POWER CABLE - TERMINATE AT EACH END
- ② F&I 2/C NO. 14 LOOP CONDUCTORS
- ③ F&I 1-FO PIGTAIL - PLACE 1 LOOP (APPROX. 15') OF PIGTAIL CABLE WITHIN CABINET AGAINST SIDEWALL. CONNECT ARMOUR TO NORSCAN DEVICE - TERMINATE END & LAND IN PATCH PANEL
- ④ F&I 6/C NO14 - TERMINATE EACH END PER RCS DETAIL
- ⑤ F&I 1-1/C NO6 BARE GROUND WIRE - COAT CONNECTION WITH ANTI-OXIDIZING AGENT
- ⑥ INSTALL NEOPRENE GASKET (MNDOT PROVIDED WITH CABINET)
- ⑦ LINE TERMINATION GROUND UNIT (LTU)
- ⑧ IF FOUNDATION INCLUDES INTERNAL GROUND WIRE, ATTACH TO SERVICE CABINET GROUND BUS

- MNDOT PROVIDED
1. TMS 334Z CONTROL CABINET WITH:
    - A) CONTROLLER
    - B) FIBER OPTIC PATCH PANEL
    - C) BREAKER INSIDE CABINET
    - D) NEOPRENE CAB. GASKET

- MNDOT PROVIDED & INSTALLED
1. FIBER OPTIC PATCH CORDS
  2. FO PIGTAIL & PATCH PANEL LABELS WITHIN DMS CABINET



- ROUTE THE INNER JACKET OR 3/8" LOOM TUBING INTO THE PATCH PANEL AND FASTEN.
- ROUTE THE INNER JACKET OR 3/8" LOOM TUBING IN THE OPENING PROVIDED IN THE RACK ASSEMBLY.
- F&I 3/8" SPLIT LOOM TUBING OVER BUFFER TUBES AND CENTRAL STRENGTH MEMBER WHEN USING SINGLE JACKET SINGLE ARMOR CABLE. LOOM TUBING TO BE INSTALLED FROM BREAKOUT INTO FIBER PATCH PANEL. STORE SLACK BETWEEN RACK AND CABINET SHELL
- F&I FIBER OPTIC SHIELD BOND CONNECTOR ASSEM. FOR BOTH SINGLE AND DOUBLE JACKETED CABLES TO WHERE THE OUTER JACKET AND ARMOR ARE REMOVED.



TYPICAL 334 SERIES TMS CABINET INSTALLATION

TYPICAL 334 CABINET INSTALLATION

REVISED 04/15/24

REV. NO.	DATE	/ /
REV. NO.	DATE	/ /

CERTIFIED BY \_\_\_\_\_ LIC. NO. 12345 DATE 2021 STATE PROJ. NO. XXXX-XXX (TH XXX) SHEET NO. XXXX? OF XXXXX SHEETS  
 LICENSED PROFESSIONAL ENGINEER