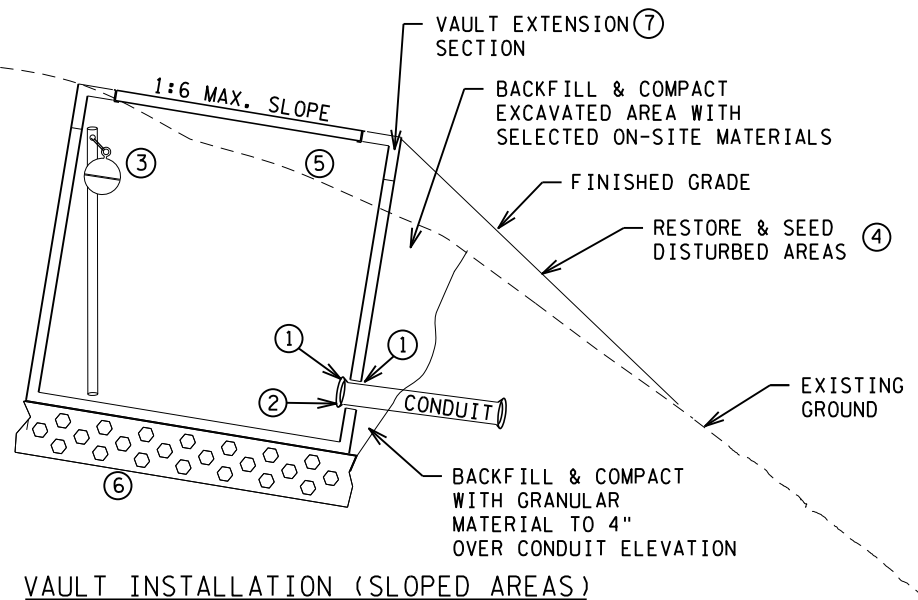
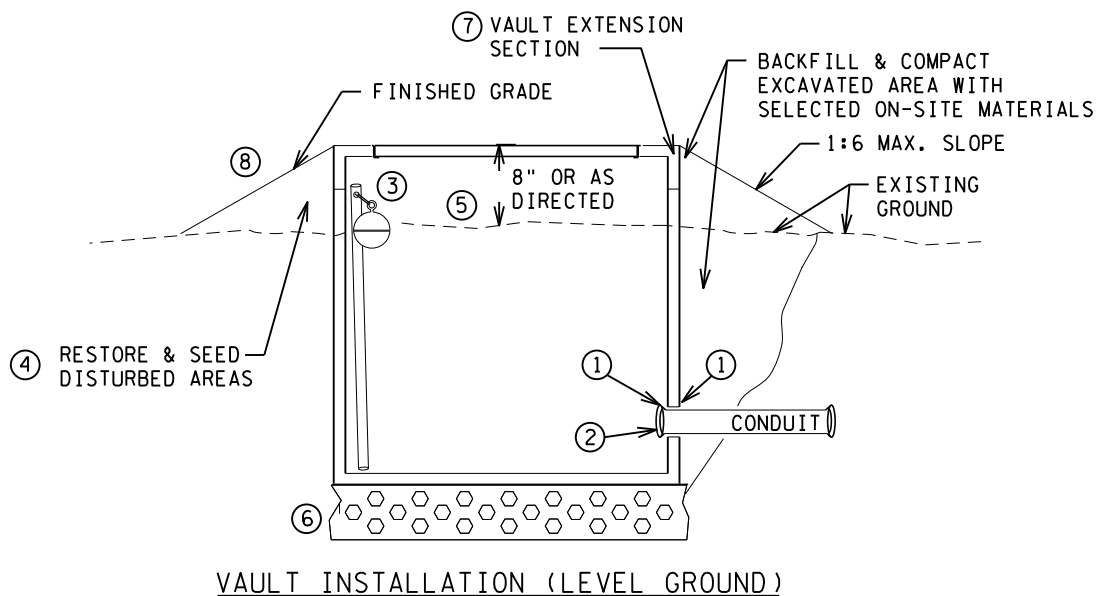


Reut1Ani T79CLW161FRW047 TMS  
 6/6/2022 10:38:48 AM  
 LOTTED: 6/6/2022 10:38:48 AM  
 pw: \\p81.ad.dot.state.mn.us:cddp\Documents\Projects\DM\_R05\Non-Project\FrOps\Detail\Drawings\CAB\_L00P\_MISC\cab\_loop\_misc.dtl.dwg



VAULT INSTALLATION (SLOPED AREAS)



VAULT INSTALLATION (LEVEL GROUND)

**SPECIFIC NOTES**

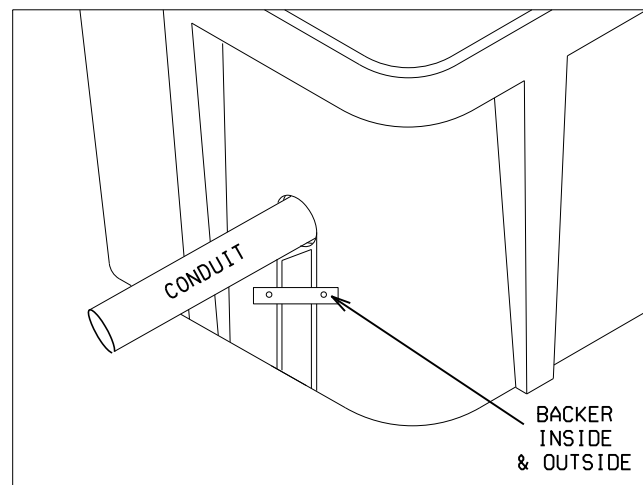
- ① VAULT OPENINGS FOR CONDUIT INSTALLATION SHALL BE SEALED WITH MATERIAL COMPATIBLE SEALANT. (INCIDENTAL)
- ② F&I BELL ENDS ON THE CONDUITS AND PLUG ALL CONDUIT OPENINGS WITH A DRAINABLE COMPOUND
- ③ LOCATOR BALL ATTACHED WITH BLACK TIE WRAP TO 40' LENGTH OF 3/4" PVC CONDUIT TO SIT WITHIN 6" OF COVER
- ④ RESTORE DISTURBED AREAS FOR TMS INSTALLATION WITH SEED AND ROLLED EROSION PREVENTION CATEGORY 20 PER MNDOT 2575.3 (INCIDENTAL)
- ⑤ STRIP TOPSOIL FROM VAULT AND SLOPE AREAS PRIOR TO VAULT INSTALLATION (INCIDENTAL)
- ⑥ F&I 1.0' COARSE FILTER AGGREGATE UNDER BASE COMPLYING WITH MN/DOT 3149.2H. (INCIDENTAL)
- ⑦ F&I VAULT EXTENSION SECTION AT ALL PULL VAULT INSTALLATIONS TO FACILITATE FUTURE DAMAGE REPAIRS
- ⑧ SET VAULT FLUSH WITH EXISTING GROUND WHEN NEAR EDGE OF ROAD TO AVOID PLOW DAMAGE

IDENTIFICATION LOGO TO REFLECT SPECIFIC USE APPLICATION:  
 "MNDOT TMS" - ITS PROJECTS  
 "MNDOT SIGNALS" - SIGNAL PROJECTS  
 "MNDOT LIGHTING" - LIGHTING PROJECTS  
 "MNDOT ANTI-ICING" - ANTI-ICING PROJECTS

BOLT DOWN PULL VAULT COVER

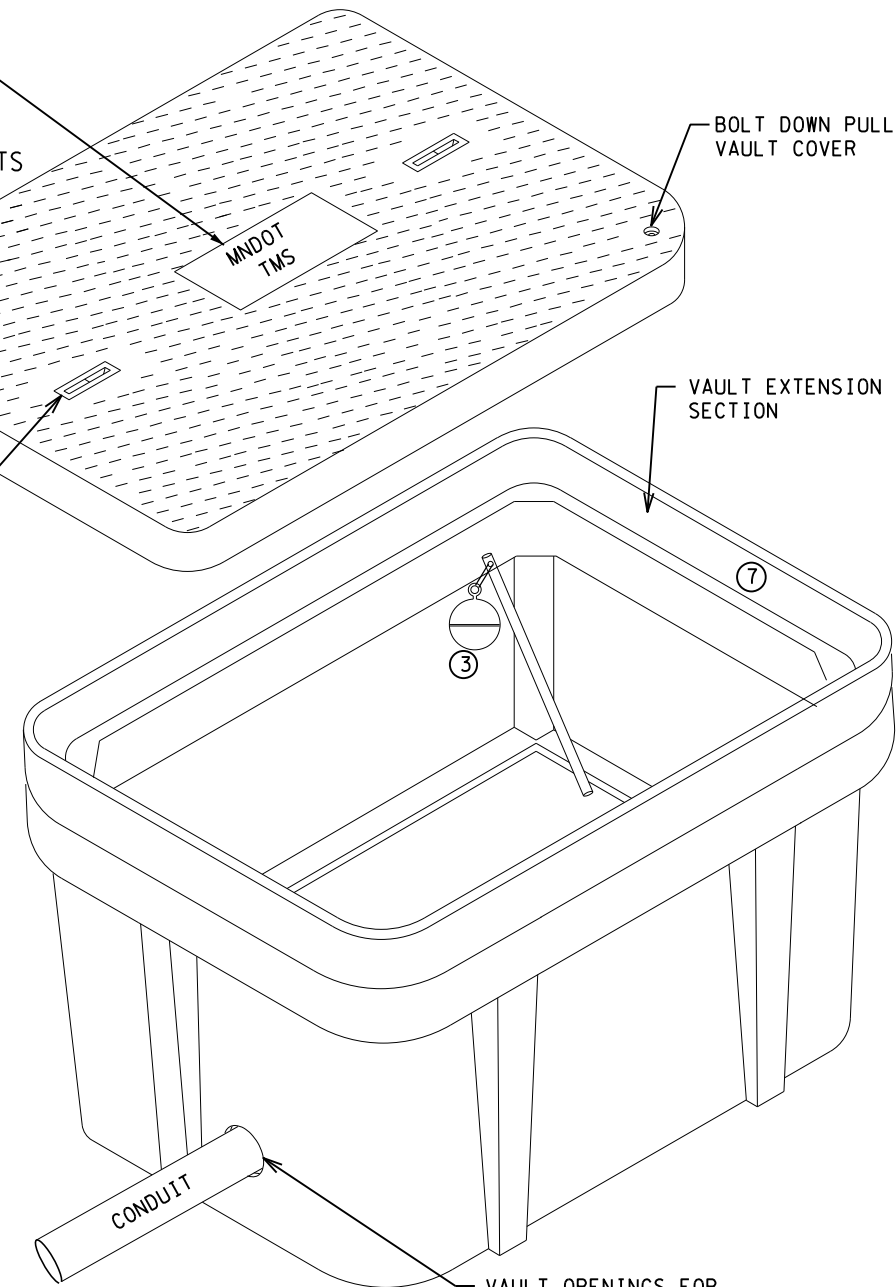
2-1/2" X 4" PULL SLOTS-(FOR COVER LIFTING ONLY)

**PULL VAULT INSTALLATION OVER INPLACE CONDUIT**



**INSTALLATION NOTES**

1. REMOVE APPROX. A 2' SECTION OF THE CONDUIT TO BE INTERCEPTED. USE CAUTION NOT TO DAMAGE INPLACE CABLES.
2. F&I BELL ENDS TO THE CONDUITS.
3. CUT A SLOT THE WIDTH OF THE CONDUIT AS HIGH ON THE PULL VAULT SIDE WALL AS NEEDED.
4. SET THE PULL VAULT OVER THE CONDUIT.
5. SET THE CUT OUT PIECE BACK INTO THE OPENING.
6. SCREW/BOLT A BACKER TO THE INSIDE AND OUTSIDE OF THE PULL VAULT TO HOLD THE CUTOUT PIECE IN-PLACE.
7. APPLY A FIBERGLASS RESIN AND MAT OR BODY FILLER ACROSS THE ENTIRE CUTOUT ON THE INSIDE OF THE PULL VAULT.



VAULT OPENINGS FOR CONDUIT INSTALLATION SHALL BE SEALED INSIDE AND OUTSIDE WITH MATERIAL COMPATIBLE SEALANT. (INCIDENTAL)

**GENERAL NOTES**

1. DO NOT LIFT ENTIRE PULL VAULT WITH COVER ATTACHED BY COVER LIFTING SLOTS.

PULL VAULT INSTALLATION DETAIL

REVISED 4/5/22

REV. NO.	DATE:	/ /
REV. NO.	DATE:	/ /

CERTIFIED BY \_\_\_\_\_ LIC. NO. 12345 DATE 2021  
 LICENSED PROFESSIONAL ENGINEER

STATE PROJ. NO. XXXX-XXX (TH XXX) SHEET NO. XXXX? OF XXXXX SHEETS