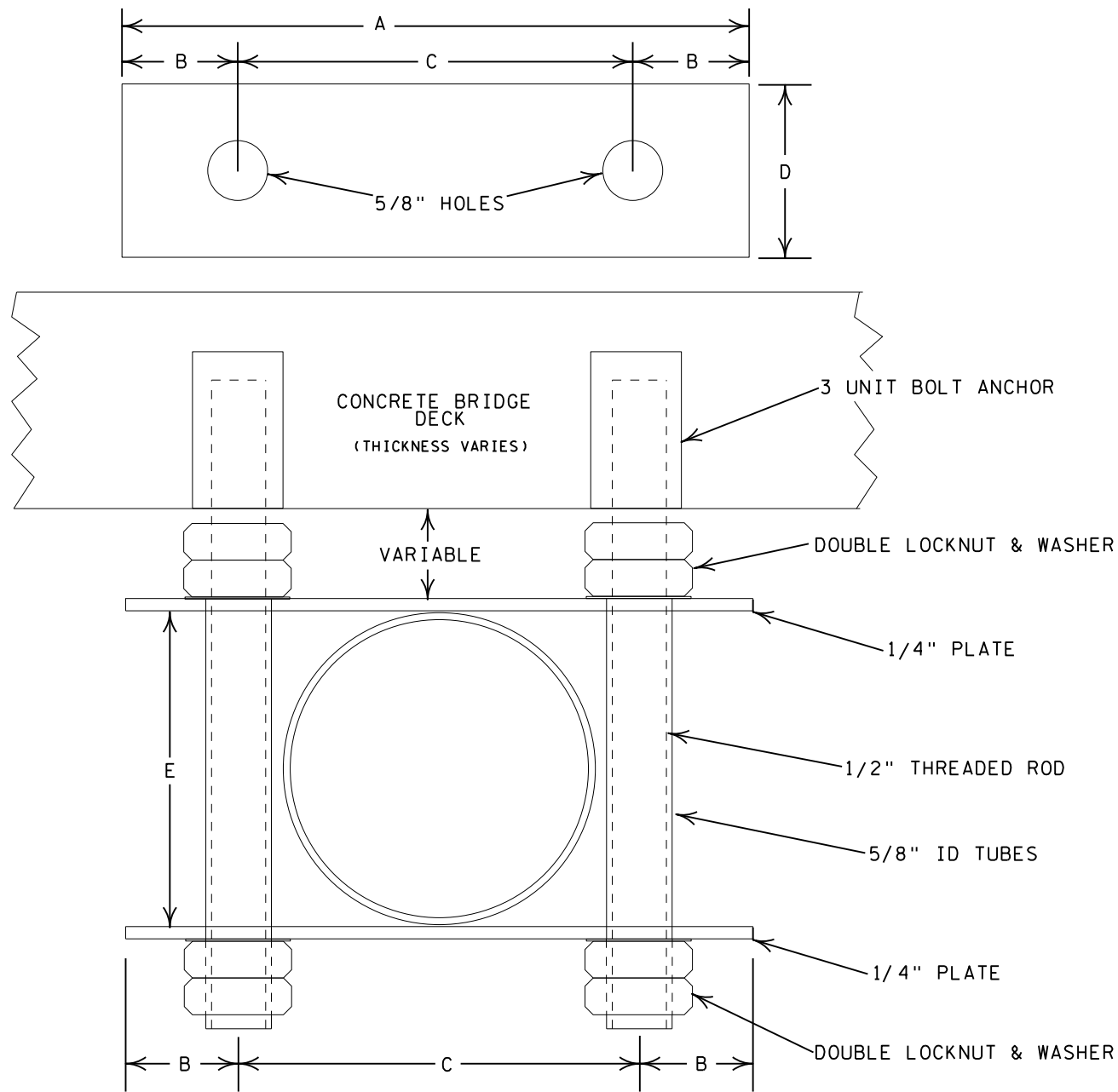


Reut1Ani T79CLW161FRW047 TMS
 6/6/2022 4:22:16 PM
 p:\p81.ad.dot.state.mn.us:cddp\Documents\Projects\DM_R05\Non_Project\FrOps\DetailDrawings\CAB_L00P_MISC\cab_loop_misc.dtl.dwg_PLOTTED:

CONCRETE GIRDER HANGER BRACKET



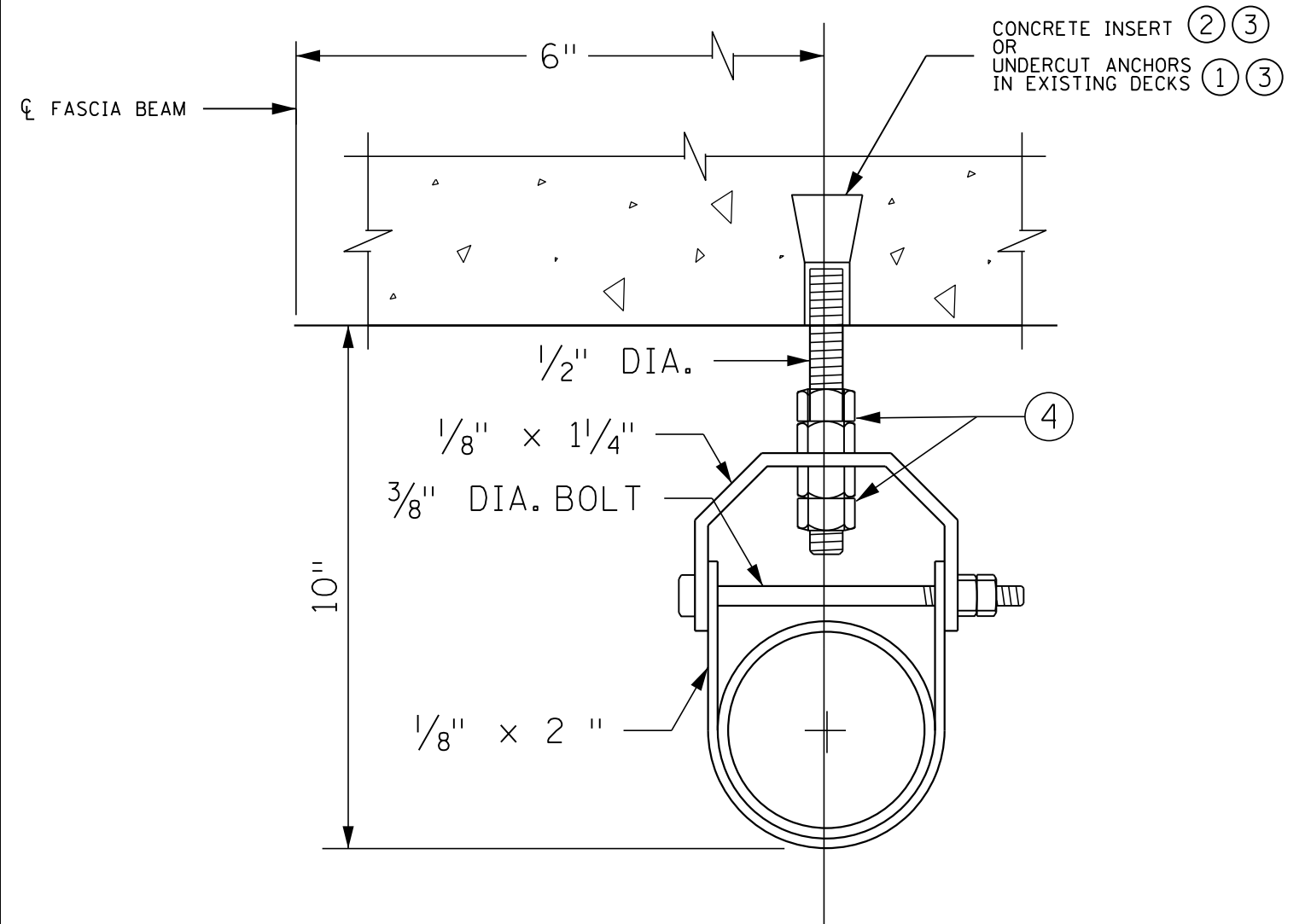
NOTES:

- 1 ALL METAL USED FOR FABRICATION SHALL BE STAINLESS STEEL, EXCEPT FOR THE BOLT ANCHOR UNIT AND THE CONDUIT.
- 2 WHEN A FIXED HANGER IS SPECIFIED THE 5/8" TUBES SHALL BE ELIMINATED.
- 3 HANGER SPACING SHALL NOT EXCEED 10'.

DIMENSIONS	4" CONDUIT	3" CONDUIT	2" CONDUIT
A	8"	7"	6"
B	1"	1"	1"
C	6"	5"	4"
D	2"	2"	2"
E	4 3/4"	3 3/4"	2 3/4"

CONDUIT HANGER DETAIL

(FOR PVC / RSC CONDUIT SYSTEM)



GENERAL NOTES

- ① STAINLESS STEEL UNDERCUT ANCHORS SHALL BE ICC APPROVED
- ② CONCRETE INSERTS SHALL BE APPROVED TYPE MALLEABLE IRON. MATERIAL AS PER SPEC. 3324, GRADE 35018. TAP AFTER GALVANIZING.

STAINLESS STEEL BOLTS, NUTS, WASHERS, RODS AND ANCHORS AS PER SPEC. 3385.2.D & 3391.2.E. GALVANIZE OTHER MATERIAL AS PER SPEC. 3394 AFTER FABRICATION.
- ③ SPACE AT 10'-0" MAXIMUM CENTERS
- ④ DOUBLE NUTS OR JAM NUTS OR LOCK NUT

HANGER BRACKET DETAIL

REVISED 6/27/18

REV. NO.	DATE: / /
REV. NO.	DATE: / /

CERTIFIED BY _____ LIC. NO. 12345 DATE 2021
 LICENSED PROFESSIONAL ENGINEER

STATE PROJ. NO. XXXX-XXX (TH XXX) SHEET NO. XXXX? OF XXXXX SHEETS