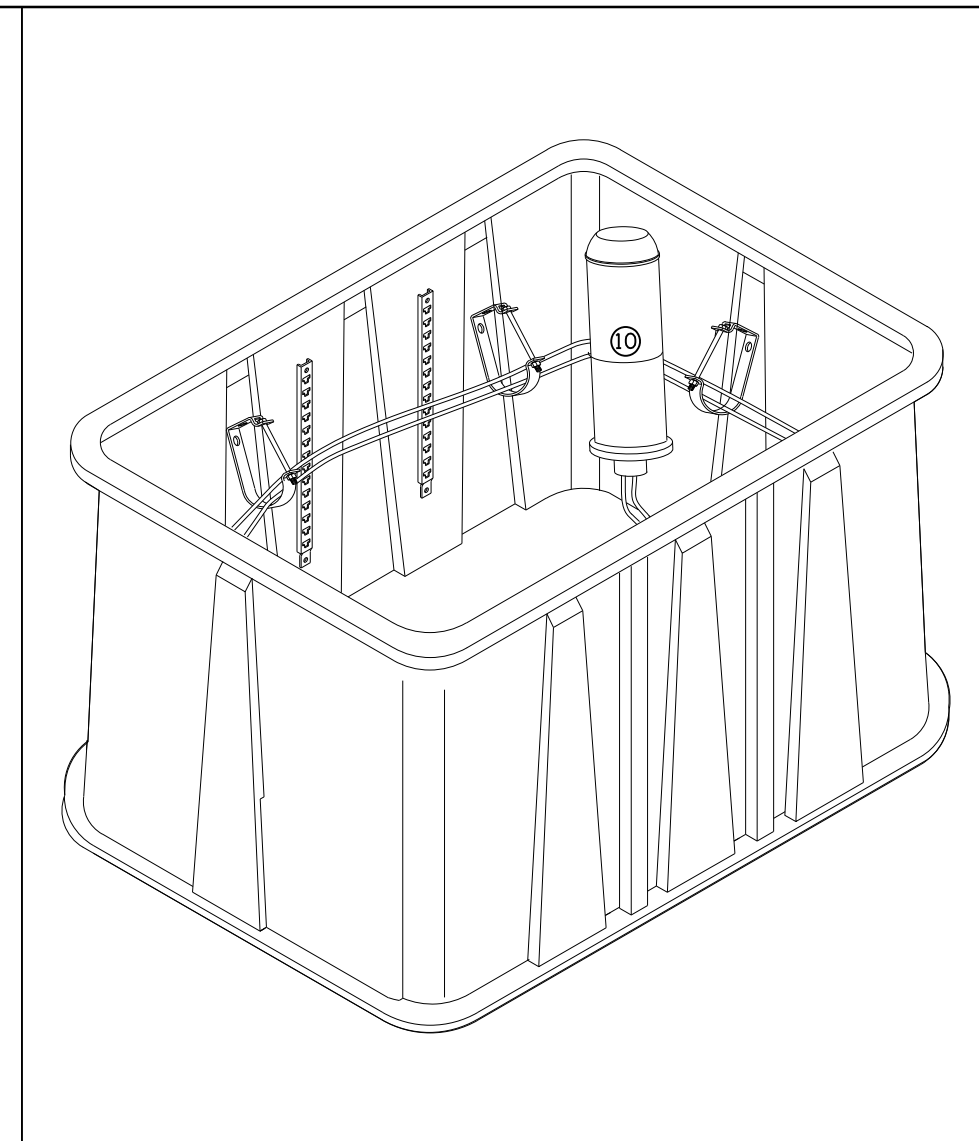
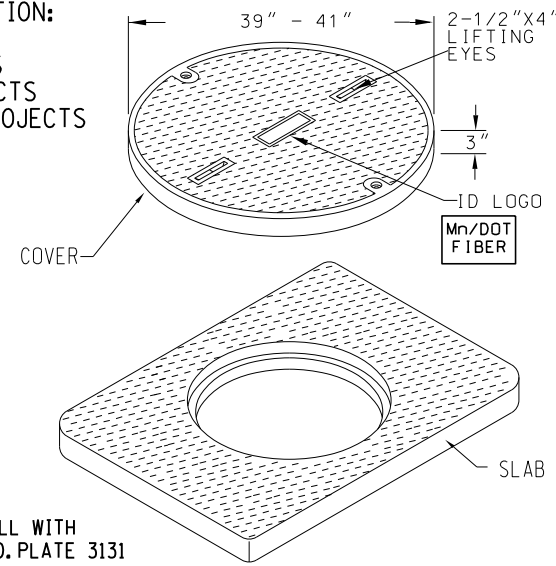


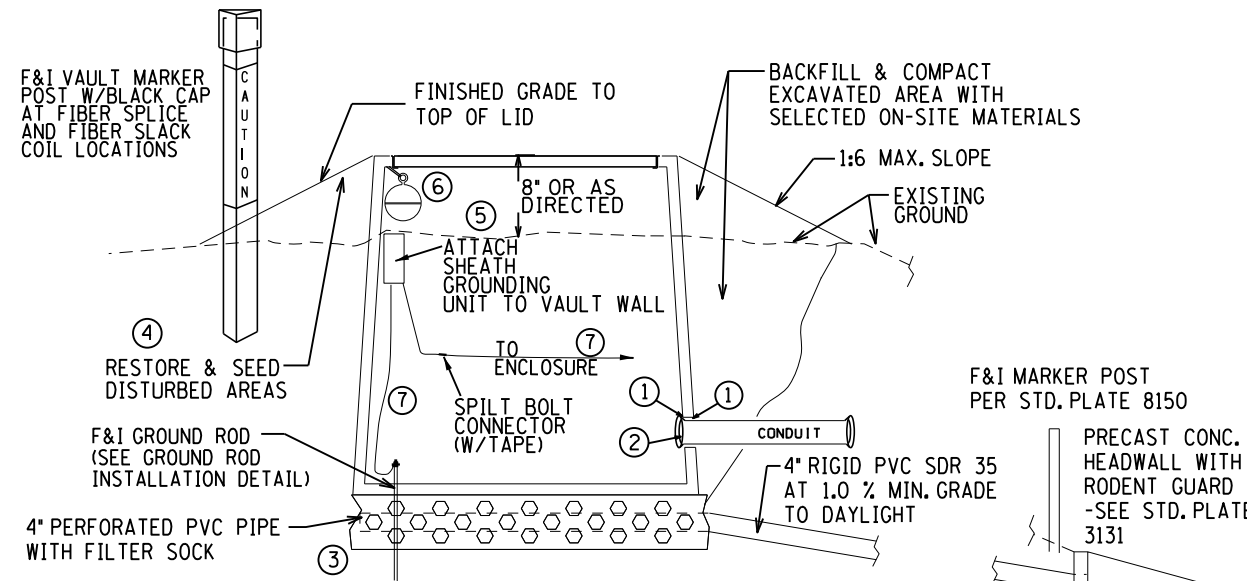
VAULT INSTALLATION & DRAINAGE SYSTEM (SLOPED AREAS)

IDENTIFICATION LOGO ON COVER
 TO REFLECT SPECIFIC USE APPLICATION:
 "MNDOT TMS" - ITS PROJECTS
 "MNDOT SIGNALS" - SIGNAL PROJECTS
 "MNDOT LIGHTING" - LIGHTING PROJECTS
 "MNDOT ANTI-ICING" - ANTI-ICING PROJECTS



GENERAL NOTES

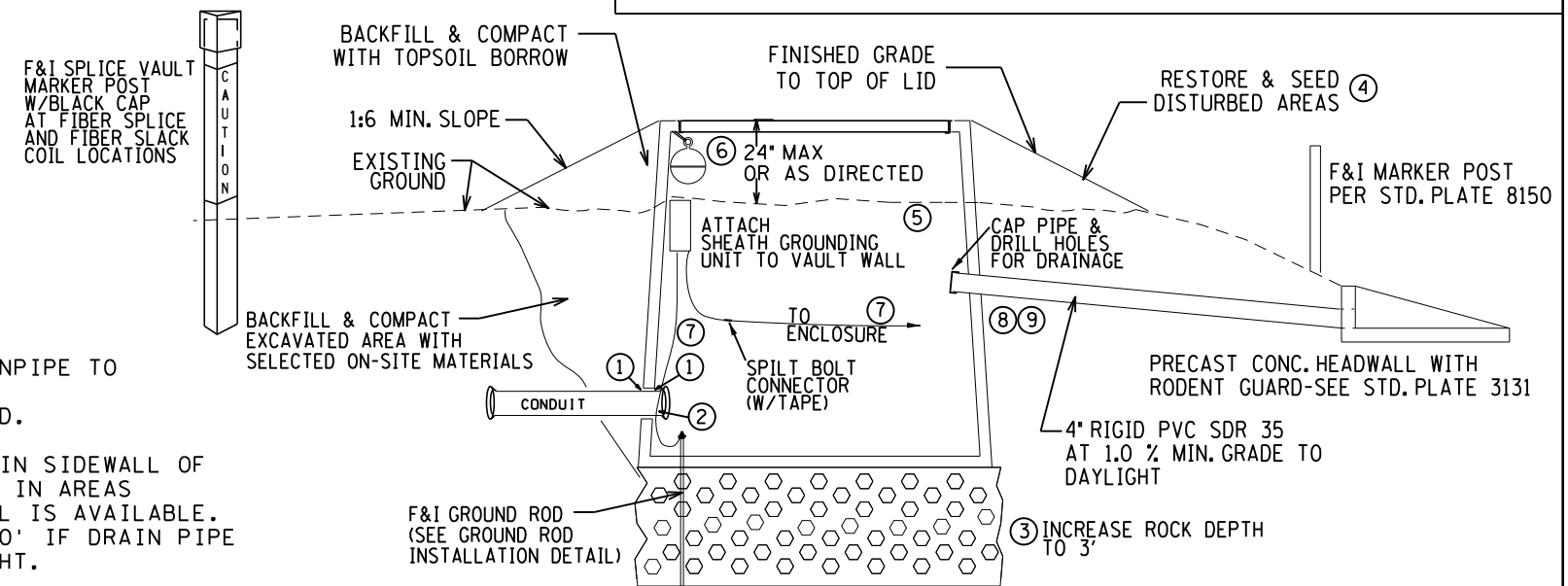
1. GROUND CONNECTIONS SHALL BE COATED WITH OXIDATION PROHIBITING COMPOUND.
2. CABLE SHALL ENTER BELOW THE SUPPORT BRACKETS WITH MIN. 70' OF SLACK OUTSIDE OF THE ENCLOSURE FOR EACH CABLE. CABLE SHALL BE COILED AROUND INSIDE OF SUPPORT BRACKETS. CABLES SHALL BE CUT TO THE SAME LENGTH AT THE ENCLOSURE.
3. ALL HARDWARE SHALL BE STAINLESS STEEL WITH EXCEPTION OF THE "C" CHANNEL MOUNTING BAR.



VAULT INSTALLATION & DRAINAGE SYSTEM (LEVEL GROUND & ACHIEVABLE DRAINAGE AREAS)

SPECIFIC NOTES

- ① OPENINGS FOR CONDUIT SHALL BE SEALED WITH MATERIAL COMPATIBLE SEALANT. (INCIDENTAL)
- ② PLUG CONDUIT OPENING WITH A DRAINABLE COMPOUND (INCIDENTAL)
- ③ F&I COARSE FILTER AGGREGATE UNDER BASE COMPLYING WITH MN/DOT 3149.2H. F&I 4" PERFORATED PVC PIPE WITHIN ROCK AREA WITH FILTER SOCK TO PROVIDE DRAINAGE WHERE ACHIEVABLE. (INCIDENTAL)
- ④ RESTORE DISTURBED AREAS FOR TMS INSTALLATION WITH SEED AND ROLLED EROSION PREVENTION CATEGORY 20 PER MNDOT 2575.3 (INCIDENTAL)
- ⑤ STRIP TOPSOIL FROM VAULT AND SLOPE AREAS PRIOR TO VAULT INSTALLATION (INCIDENTAL)
- ⑥ MOUNT LOCATOR BALL WITH TIE WRAP TO COVER LEDGE
- ⑦ 6' OF NO.6 AWG GREEN INSULATED STRANDED WIRE
- ⑧ NO DRAIN REQUIRED IF DRAINPIPE TO DAYLIGHT IS UNACHIEVABLE. ENGINEER APPROVAL REQUIRED.
- ⑨ DRAIN PIPE MAY BE PLACED IN SIDEWALL OF VAULT TO ACHIEVE DRAINAGE IN AREAS WHERE MINIMUM PIPE OUTFALL IS AVAILABLE. INCREASE ROCK DEPTH TO 3.0' IF DRAIN PIPE IS PLACE ABOVE FLOOR HEIGHT.
- ⑩ DOME STYLE SPLICE ENCLOSURE. TIE WRAP ENCLOSURE TO CABLES



VAULT INSTALLATION & DRAINAGE SYSTEM (LEVEL GROUND & MINIMUM ACHIEVABLE DRAINAGE AREAS)

| | | |
|----------|-------|-----|
| REV. NO. | DATE: | / / |
| REV. NO. | DATE: | / / |