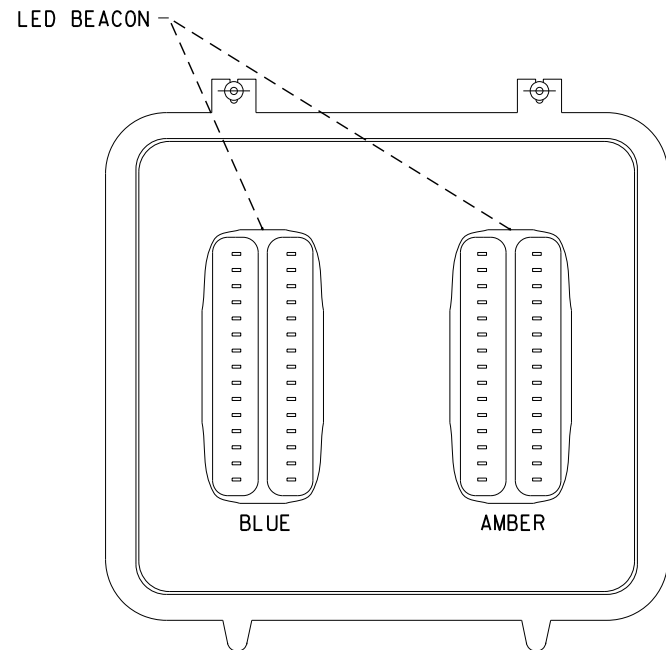
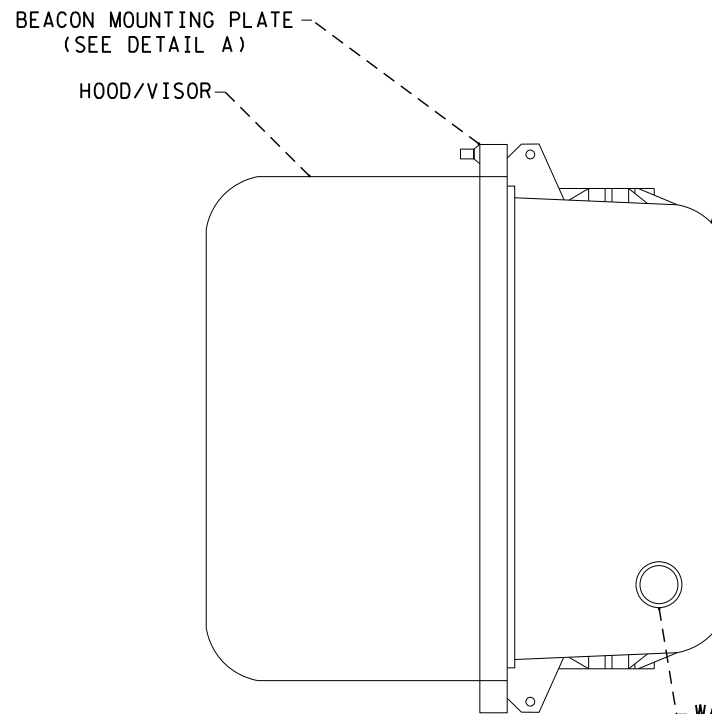


p:\pw81.ad.dot.state.mn.us:cddp\Documents\Projects\DM_R05\Non_Project\Fr\Ops\Detail\Drawings\CAB_L00P_MISC\cab_loop_misc.dtl.dwg PLOTTED: 6/7/2022 8:57:26 AM

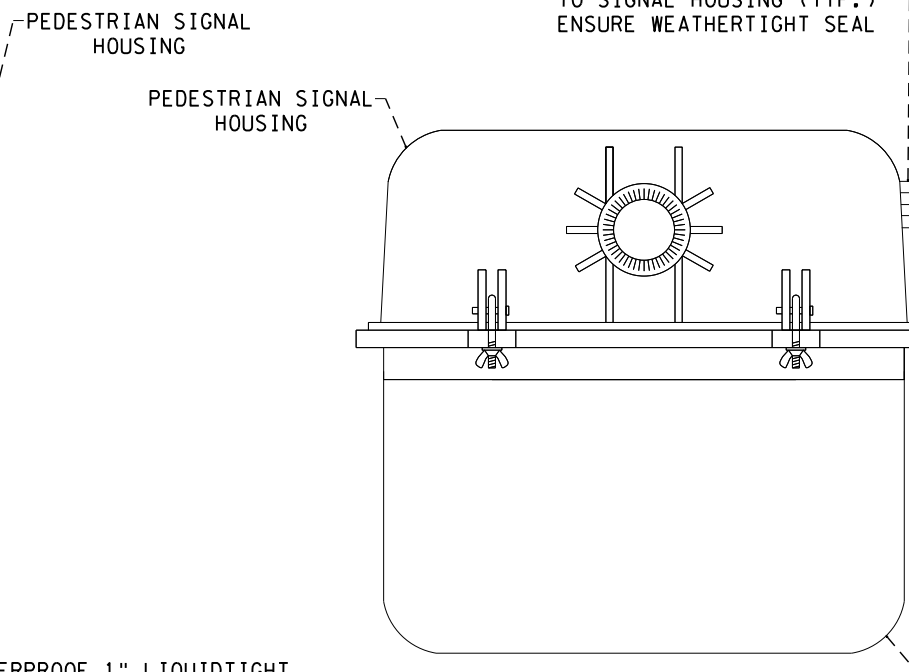


FRONT VIEW

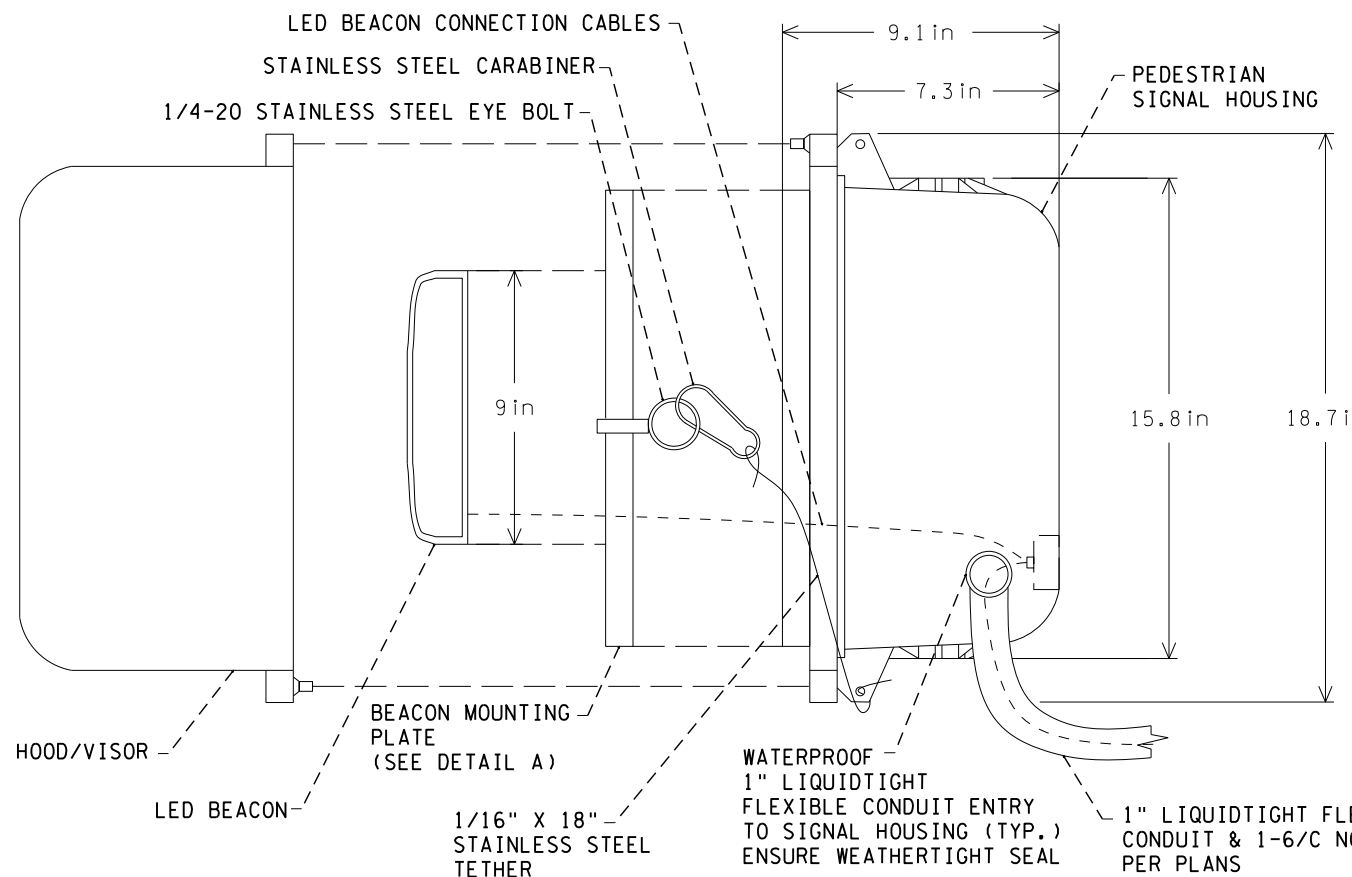
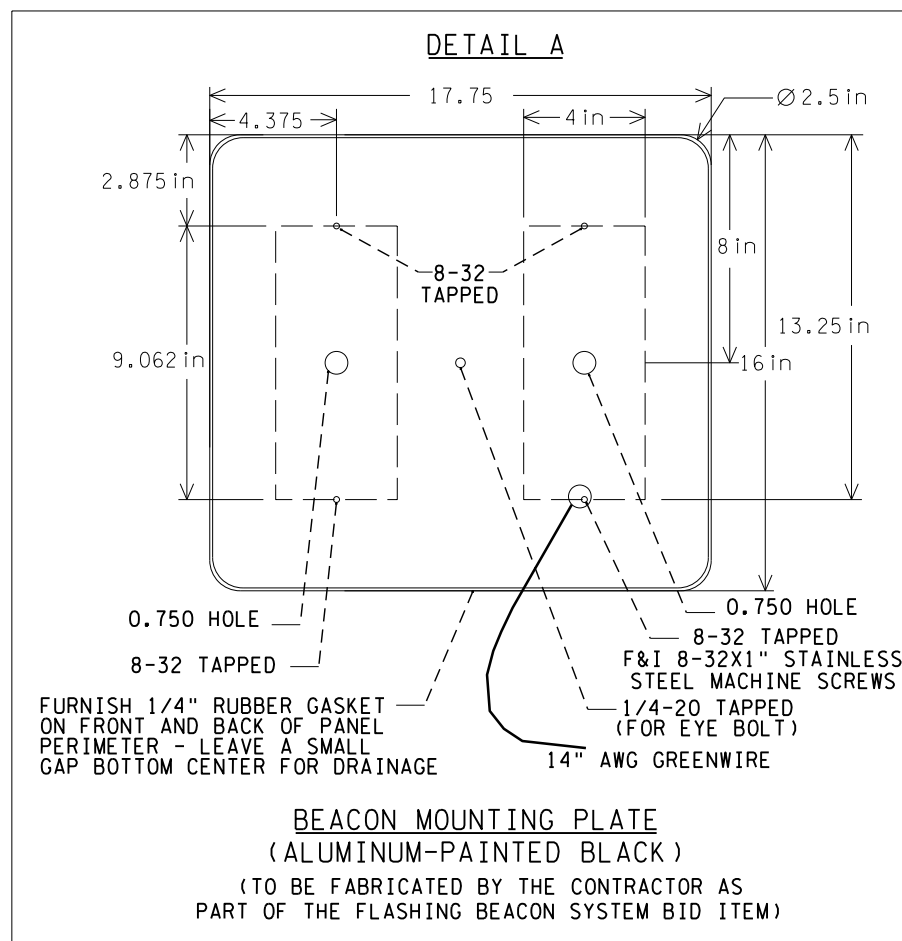
BEACON HOUSING ASSEMBLY



SIDE VIEW



TOP VIEW



GENERAL NOTES

- ALL ITEMS, HARDWARE, AND ASSEMBLIES SHOWN ARE INCLUDED IN THE FLASHING BEACON SYSTEM BID ITEM PER SITE.
- ALL HARDWARE MUST BE STAINLESS STEEL IN ACCORDANCE WITH SPEC. 3391.E UNLESS OTHERWISE NOTED.

E-ZPASS EQUIPMENT ENFORCMENT BEACON DETAIL

REV. NO.	DATE: / /	CERTIFIED BY _____ LIC.NO. 12345 DATE 2021	STATE PROJ. NO. XXXX-XXX (TH XXX) SHEET NO. XXXX? OF XXXX SHEETS
REV. NO.	DATE: / /		