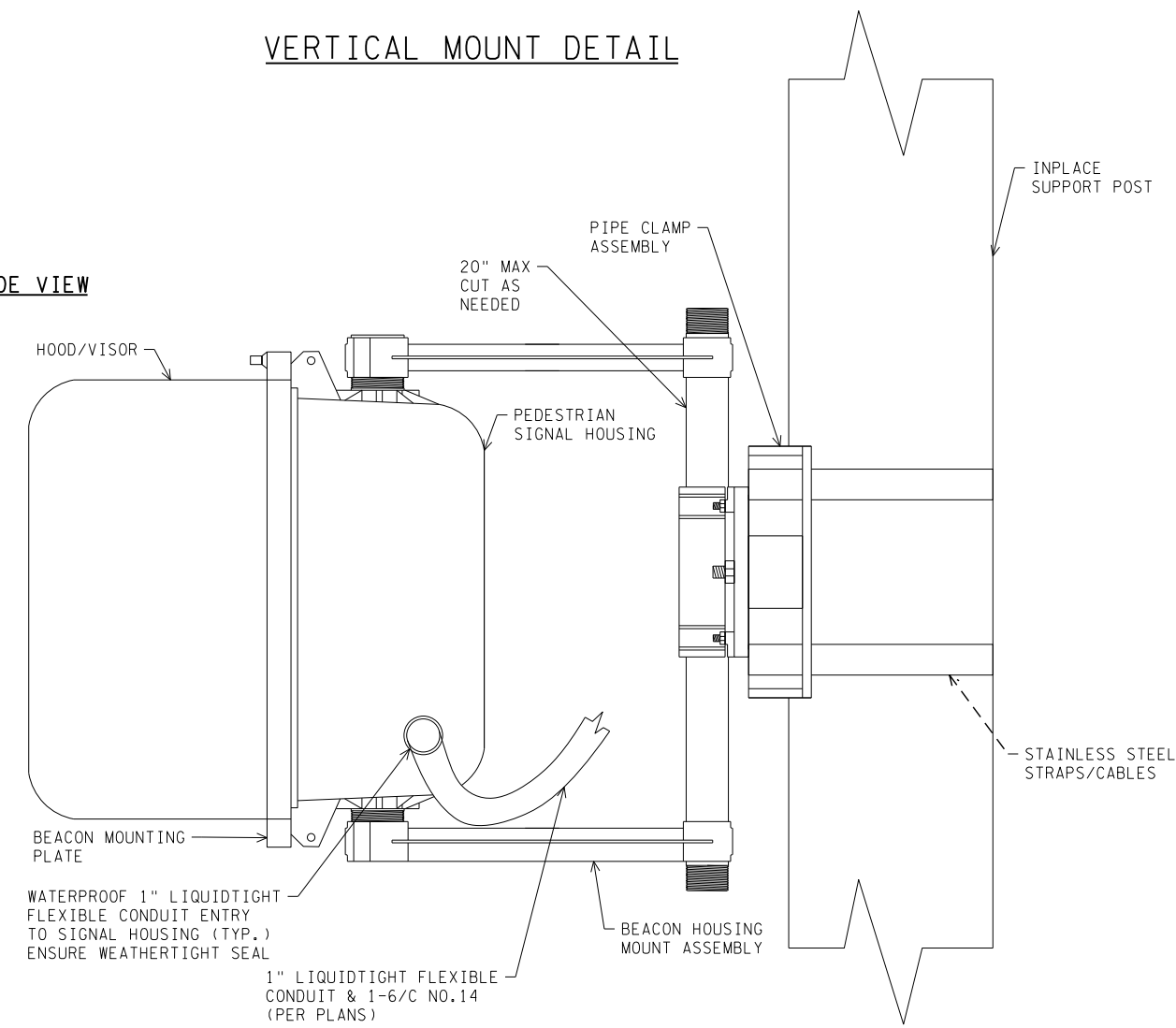


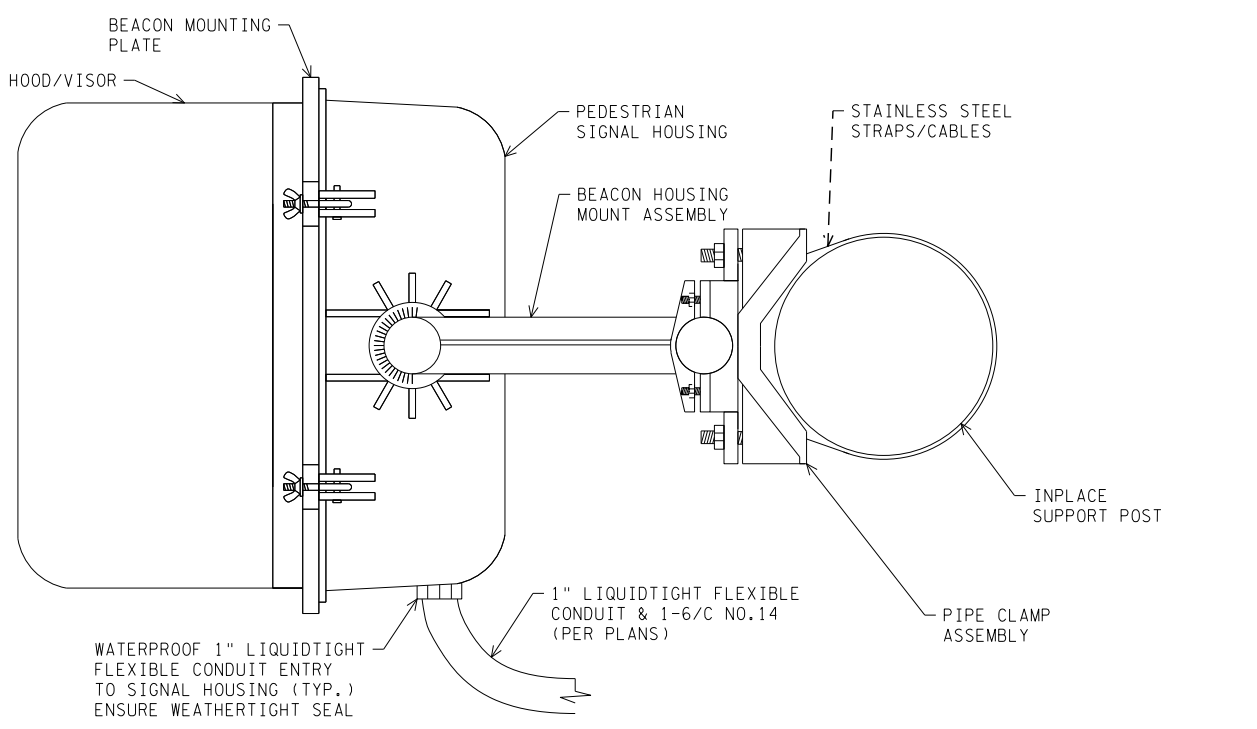
p:\p81.ad.dot.state.m.us:cddp\Documents\Projects\DM\_R05\Non\_Project\Frwpops\Detail\Drawings\CAB\_LOOP\_MISC\cab\_loop\_misc.dtl.dwg PLOTTED: 6/7/2022 8:58:53 AM  
 Reut1An1 T79CLW161FRW047 TMS

### VERTICAL MOUNT DETAIL

SIDE VIEW

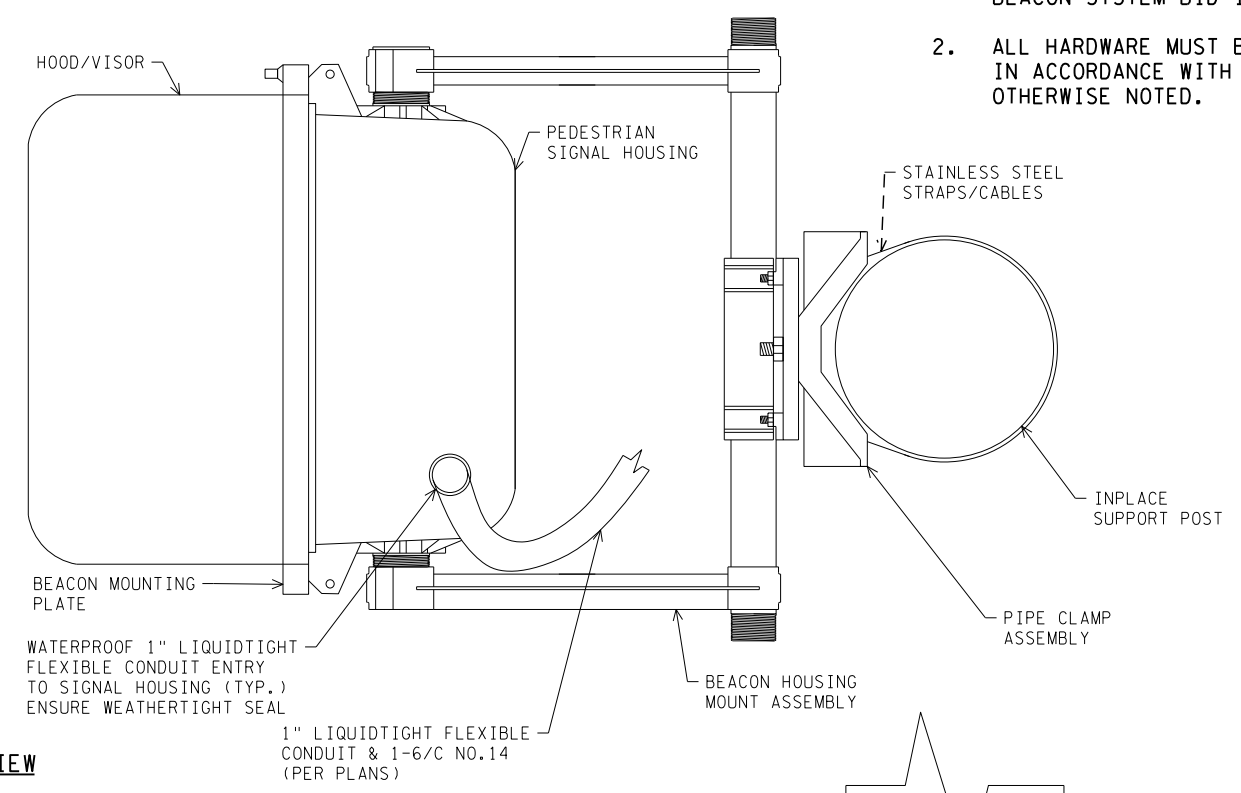


TOP VIEW

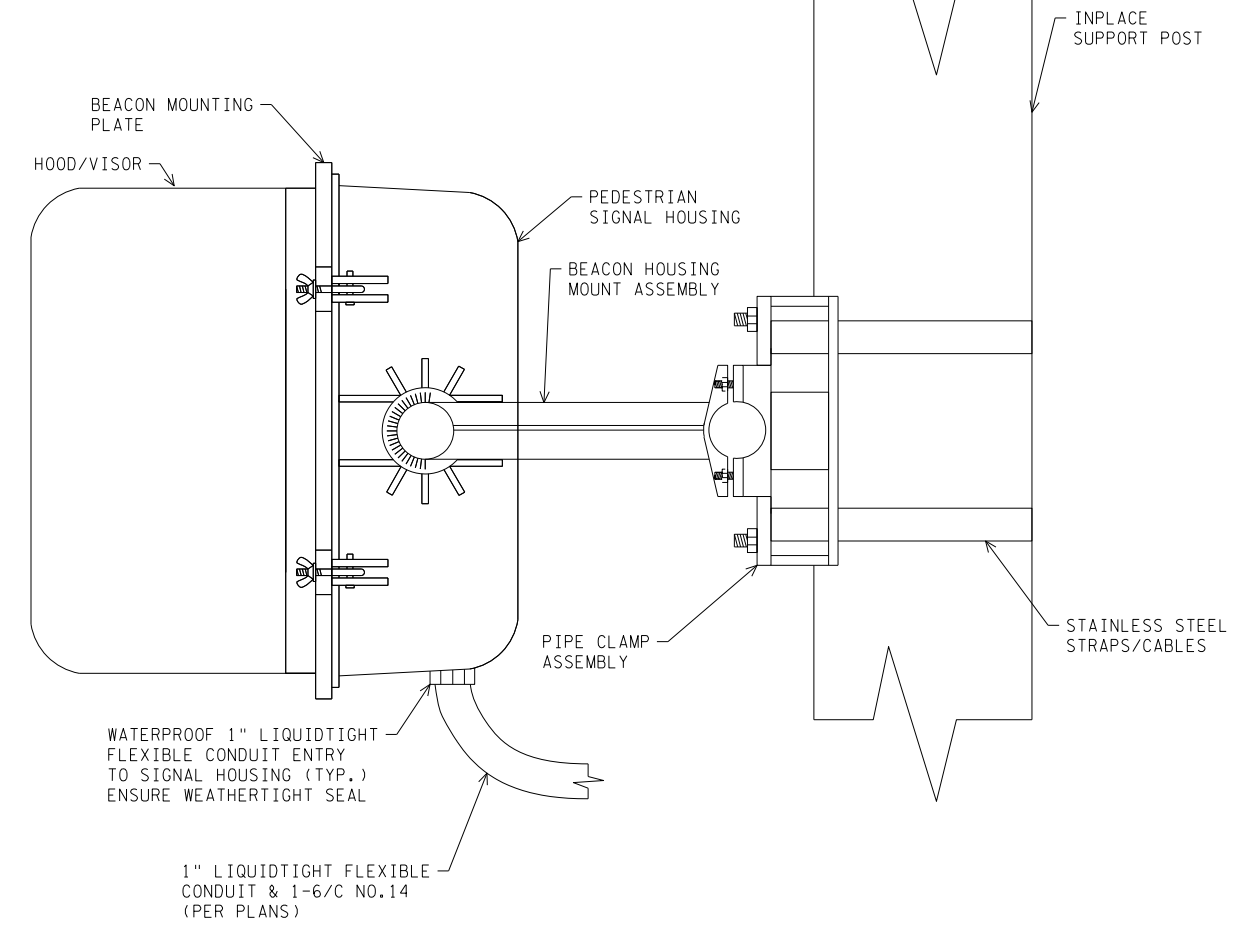


### HORIZONTAL MOUNT DETAIL

SIDE VIEW



TOP VIEW



### GENERAL NOTES

1. ALL ITEMS, HARDWARE, PIPES, AND STEEL SHOWN ARE INCLUDED IN THE FLASHING BEACON SYSTEM BID ITEM PER SITE.
2. ALL HARDWARE MUST BE STAINLESS STEEL IN ACCORDANCE WITH SPEC. 3391.E UNLESS OTHERWISE NOTED.

E-ZPASS EQUIPMENT  
ENFORCMENT BEACON DETAIL - ROUND SUPPORT

REV. NO.	DATE: / /	CERTIFIED BY _____	LIC.NO. 12345	DATE 2021	STATE PROJ. NO. XXXX-XXX (TH XXX)	SHEET NO. XXXX?	OF XXXXX SHEETS
REV. NO.	DATE: / /						