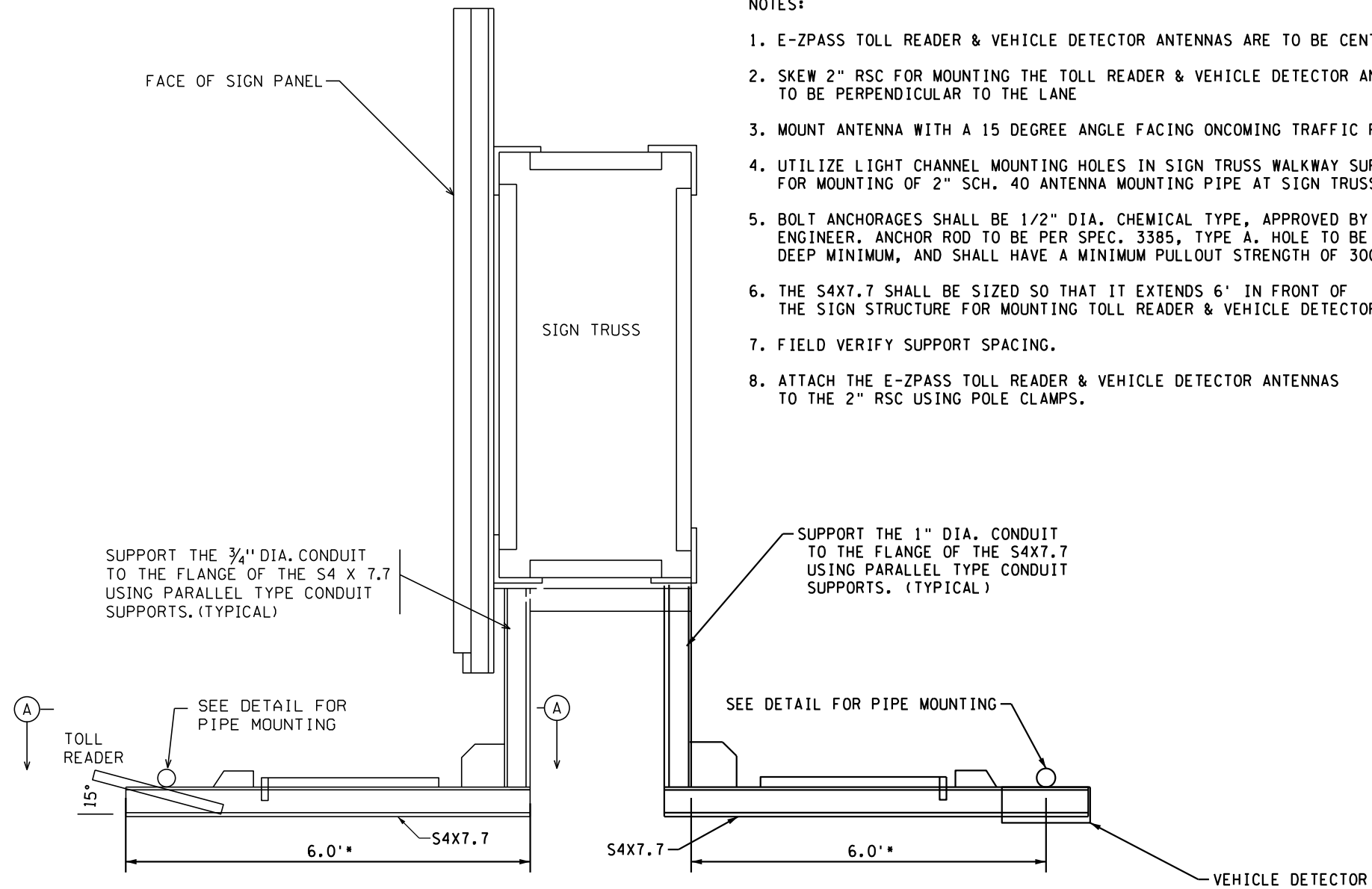


Reut1An1 T79CLW161FRW047 TMS
 6/7/2022 8:57:02 AM
 p:\p81.ad.dot.state.mn.us:cddp\Documents\Projects\DM_R05\Non_Project\FrOps\DetailDrawings\CAB_LOOP_MISC\cab_loop_misc.dtl.dwg_PLOTTED:



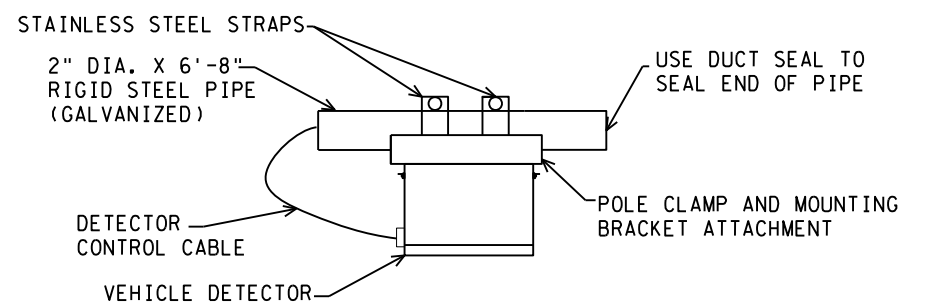
SUPPORT THE 3/4" DIA. CONDUIT TO THE FLANGE OF THE S4 X 7.7 USING PARALLEL TYPE CONDUIT SUPPORTS. (TYPICAL)

SUPPORT THE 1" DIA. CONDUIT TO THE FLANGE OF THE S4X7.7 USING PARALLEL TYPE CONDUIT SUPPORTS. (TYPICAL)

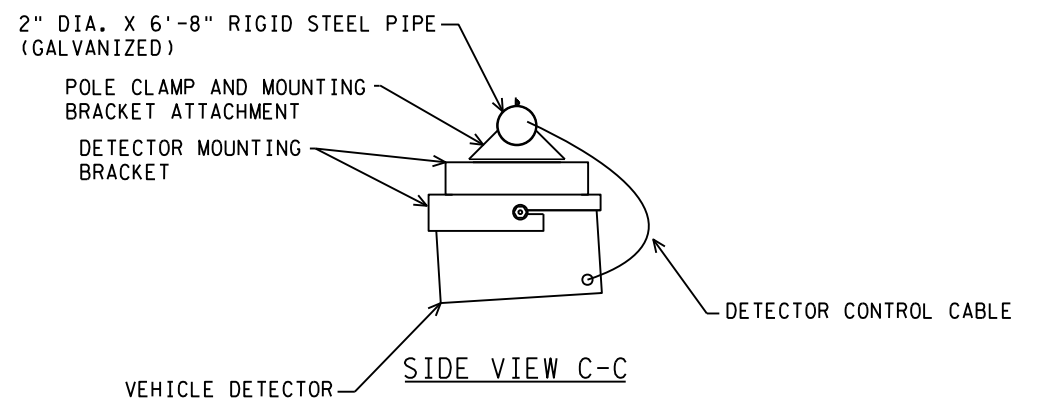
E-ZPASS TOLL READER TYPICAL SECTION
NTS

NOTES:

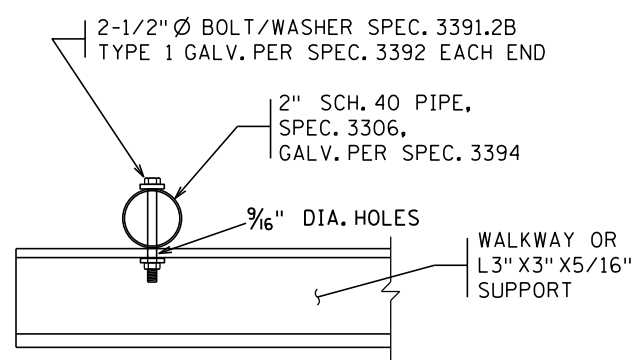
1. E-ZPASS TOLL READER & VEHICLE DETECTOR ANTENNAS ARE TO BE CENTERED OVER THE LANE
2. SKEW 2" RSC FOR MOUNTING THE TOLL READER & VEHICLE DETECTOR ANTENNAS AS NECESSARY TO BE PERPENDICULAR TO THE LANE
3. MOUNT ANTENNA WITH A 15 DEGREE ANGLE FACING ONCOMING TRAFFIC FLOW
4. UTILIZE LIGHT CHANNEL MOUNTING HOLES IN SIGN TRUSS WALKWAY SUPPORTS FOR MOUNTING OF 2" SCH. 40 ANTENNA MOUNTING PIPE AT SIGN TRUSS LOCATIONS
5. BOLT ANCHORAGES SHALL BE 1/2" DIA. CHEMICAL TYPE, APPROVED BY THE ENGINEER. ANCHOR ROD TO BE PER SPEC. 3385, TYPE A. HOLE TO BE 4 1/2" DEEP MINIMUM, AND SHALL HAVE A MINIMUM PULLOUT STRENGTH OF 3000 POUNDS
6. THE S4X7.7 SHALL BE SIZED SO THAT IT EXTENDS 6' IN FRONT OF THE SIGN STRUCTURE FOR MOUNTING TOLL READER & VEHICLE DETECTOR ANTENNAS.
7. FIELD VERIFY SUPPORT SPACING.
8. ATTACH THE E-ZPASS TOLL READER & VEHICLE DETECTOR ANTENNAS TO THE 2" RSC USING POLE CLAMPS.



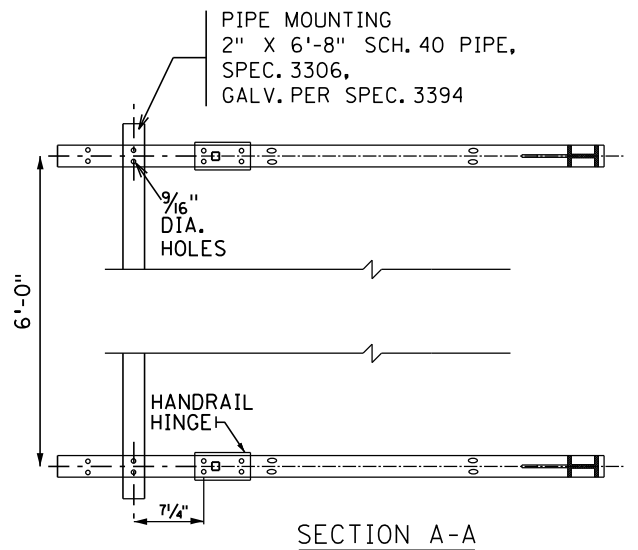
FRONT VIEW D-D



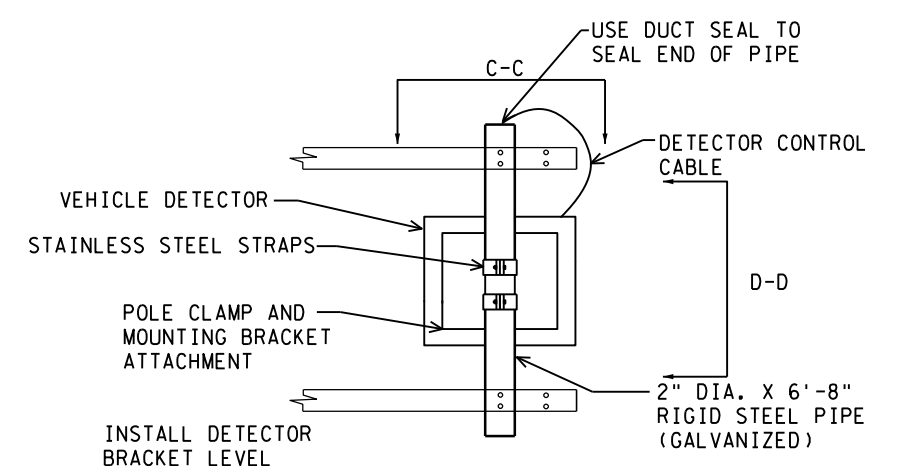
SIDE VIEW C-C



PIPE MOUNTING SIDE VIEW



SECTION A-A



DETECTOR MOUNT ELEVATION TOP VIEW

E-ZPASS EQUIPMENT
E-ZPASS ANTENNA MOUNTING DETAIL

REV. NO.	DATE: / /				
REV. NO.	DATE: / /	CERTIFIED BY	LIC. NO. 12345	DATE 2021	STATE PROJ. NO. XXXX-XXX (TH XXX) SHEET NO. XXXX? OF XXXXX SHEETS
		LICENSED PROFESSIONAL ENGINEER			