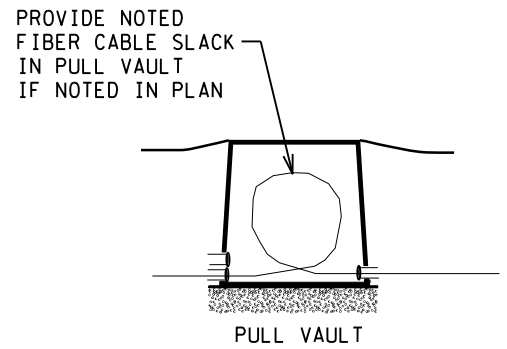
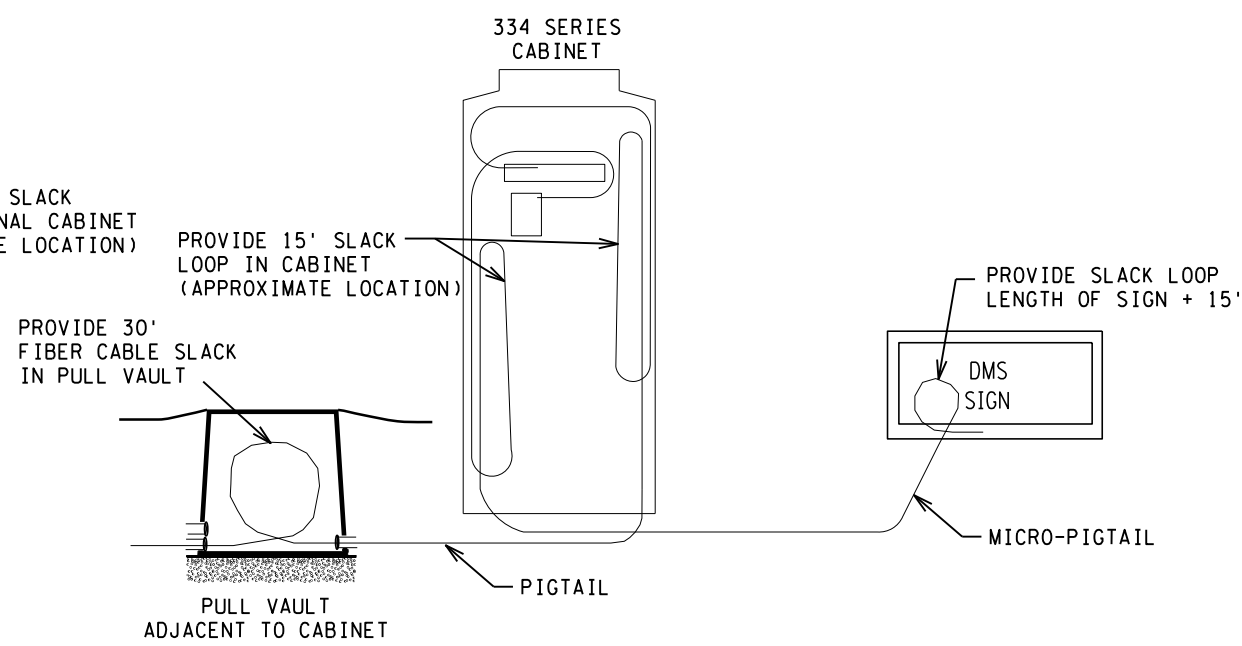
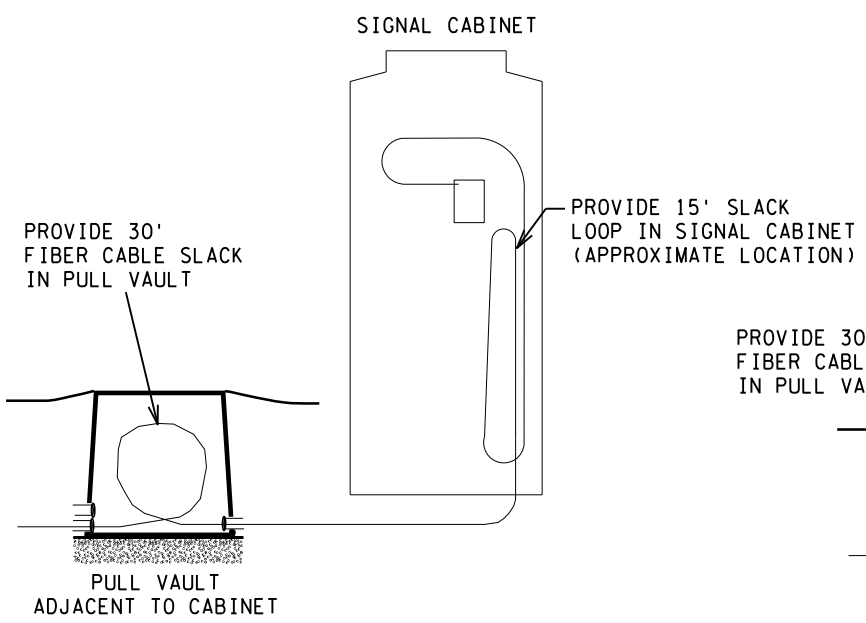
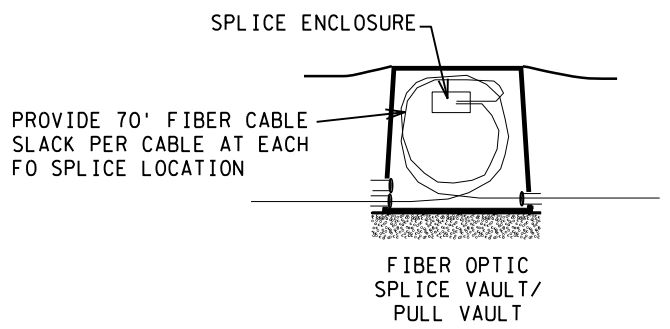
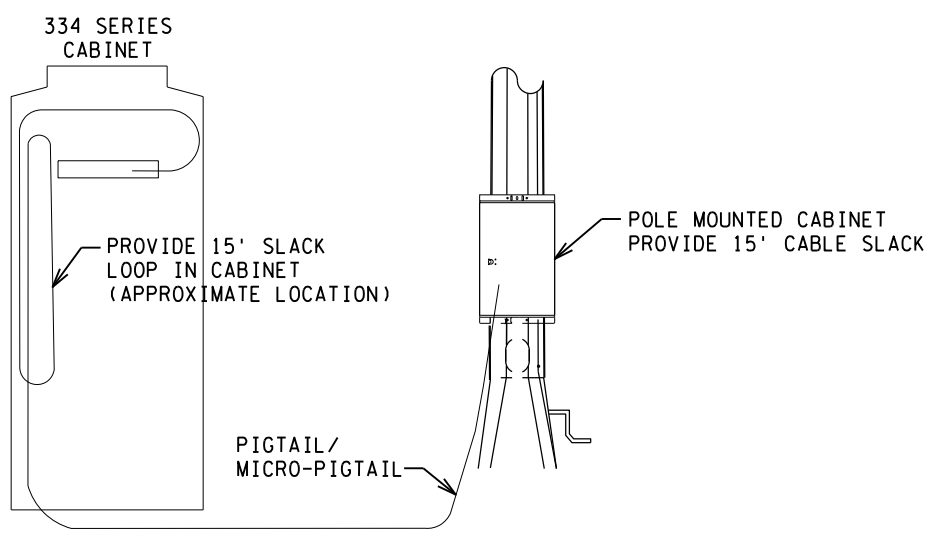
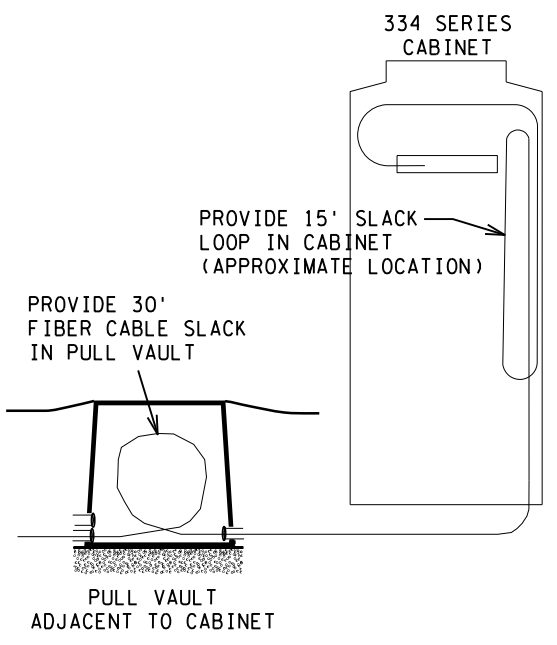
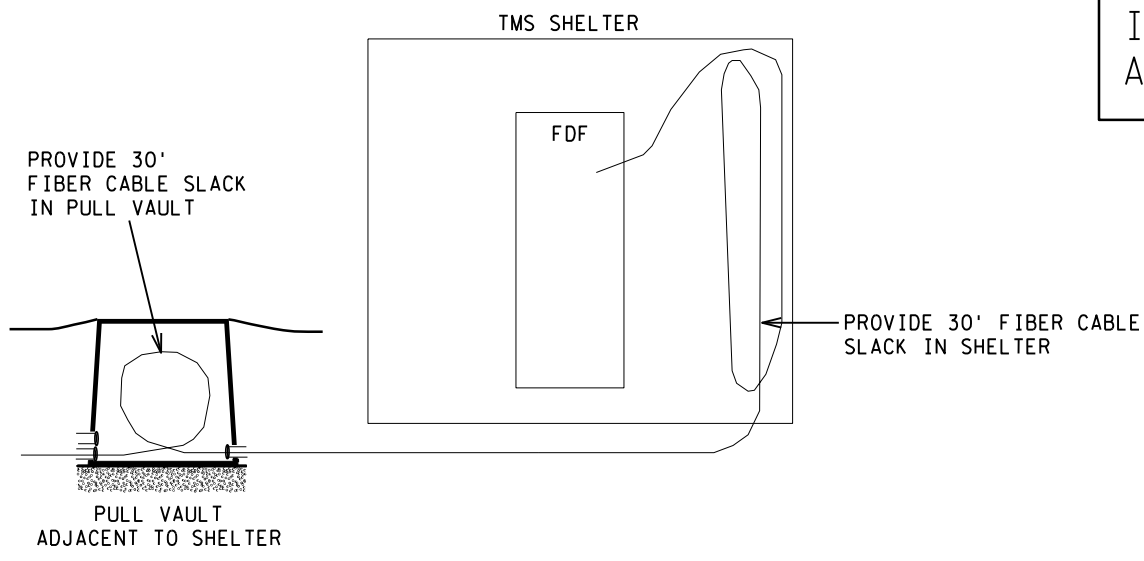
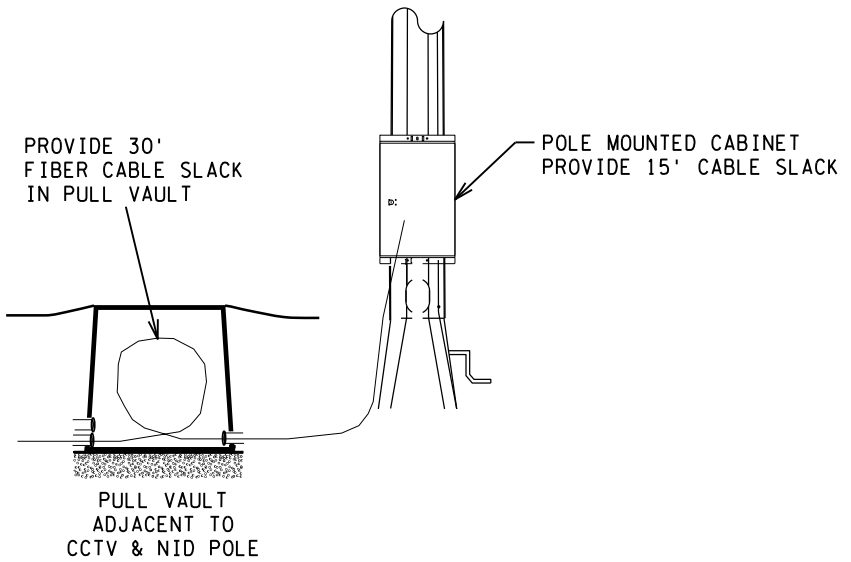


SLACK LENGTH NOTED IN EACH SCENERIO IS THE FINAL SLACK LENGTH REQUIRED AFTER DEVICES ARE CONNECTED



TMS CABLE FIBER SLACK INSTALLATION DETAIL

REVISED 3/06/20

REV. NO.	DATE: / /	CERTIFIED BY _____	LIC.NO. 12345	DATE 2021	STATE PROJ. NO. XXXX-XXX (TH XXX)	SHEET NO. XXXX?	OF XXXXX SHEETS
REV. NO.	DATE: / /						