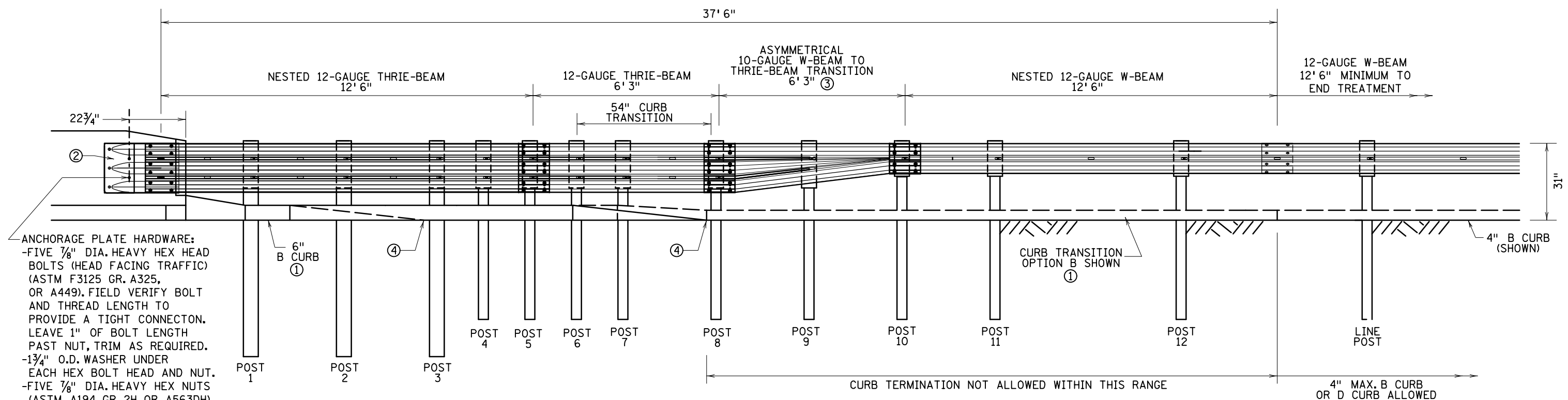
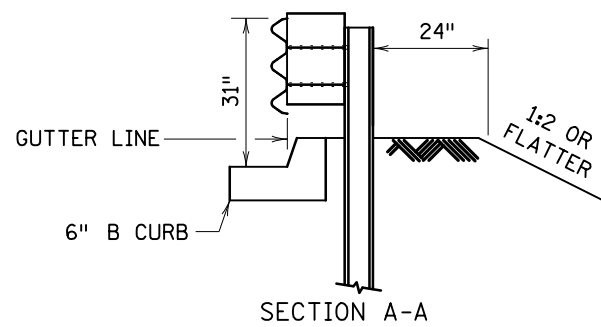


PLAN VIEW

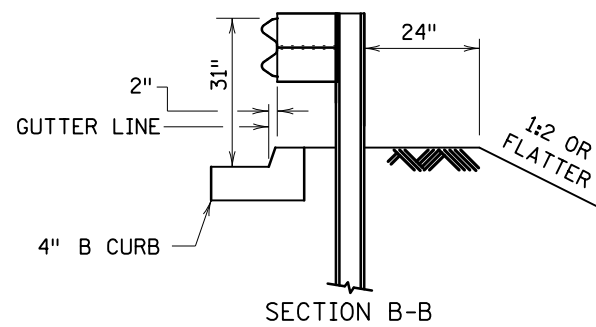


FRONT VIEW

ANCHORAGE PLATE HARDWARE:  
 -FIVE 7/8" DIA. HEAVY HEX HEAD BOLTS (HEAD FACING TRAFFIC) (ASTM F3125 GR. A325, OR A449). FIELD VERIFY BOLT AND THREAD LENGTH TO PROVIDE A TIGHT CONNECTION. LEAVE 1" OF BOLT LENGTH PAST NUT, TRIM AS REQUIRED.  
 -1 3/4" O.D. WASHER UNDER EACH HEX BOLT HEAD AND NUT.  
 -FIVE 7/8" DIA. HEAVY HEX NUTS (ASTM A194 GR. 2H OR A563DH).  
 -ALL HARDWARE GALVANIZED PER ASTM A153 AND A780.



SECTION A-A



SECTION B-B

TRANSITION POST AND BLOCKOUT SIZING		
POST #	STEEL POST SIZE	BLOCKOUT SIZE
1-3	84" - W6 x 15	6" x 12" x 19"
4-9	72" - W6 x 9	6" x 12" x 19"
10-12	72" - W6 x 9	6" x 12" x 14 1/4"

NOTES:

- APPROACH GUARDRAIL TRANSITION SHALL BE USED ON THE APPROACH END, AND SHALL BE USED ON THE DEPARTING/TRAILING END IF GUARDRAIL IS NEEDED.
- GUARDRAIL BEAM AND HARDWARE IN ACCORDANCE WITH AASHTO SPEC. M 180. REFER TO APPROACH PANEL PLANS FOR LOCATION OF E8 JOINT.
- ① SEE CURB DETAILS ON SHEET 2 OF 3.
- ② THRIE BEAM ANCHORAGE PLATE (STANDARD PLATE 8350) IS INCIDENTAL.
- ③ SEE STANDARD PLATE 8356.
- ④ CURB MAY BE TERMINATED AT THIS LOCATION, SEE CONSTRUCTION PLAN SHEETS FOR LOCATION. SEE CURB DETAILS ON SHEET 2 OF 3.
- ⑤ GUTTER LINE TAPERS 2" TO MATCH EXTENDED GUTTER LINE FROM BRIDGE.

LEAD EXPERT OFFICE  
 NANCY YOO  
 DESIGN SUPPORT DIRECTOR  
 OFFICE OF PROJECT MANAGEMENT & TECHNICAL SUPPORT



APPROACH GUARDRAIL TRANSITION (AGT) TYPE 31  
 AT VERTICAL END POST  
 ASSEMBLY DETAILS

APPROVED: 07-05-2022  
 REVISED:

THOMAS STYRBICKI  
 STATE DESIGN ENGINEER

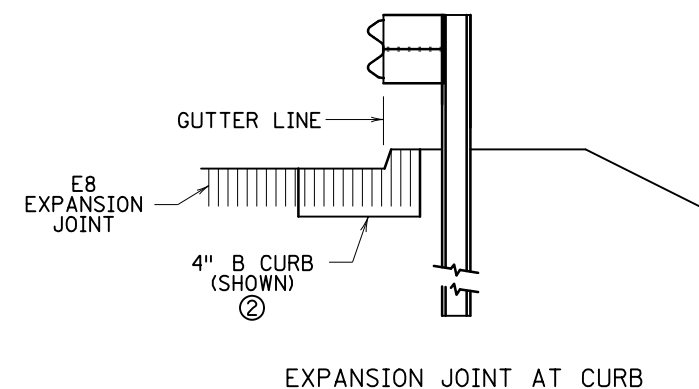
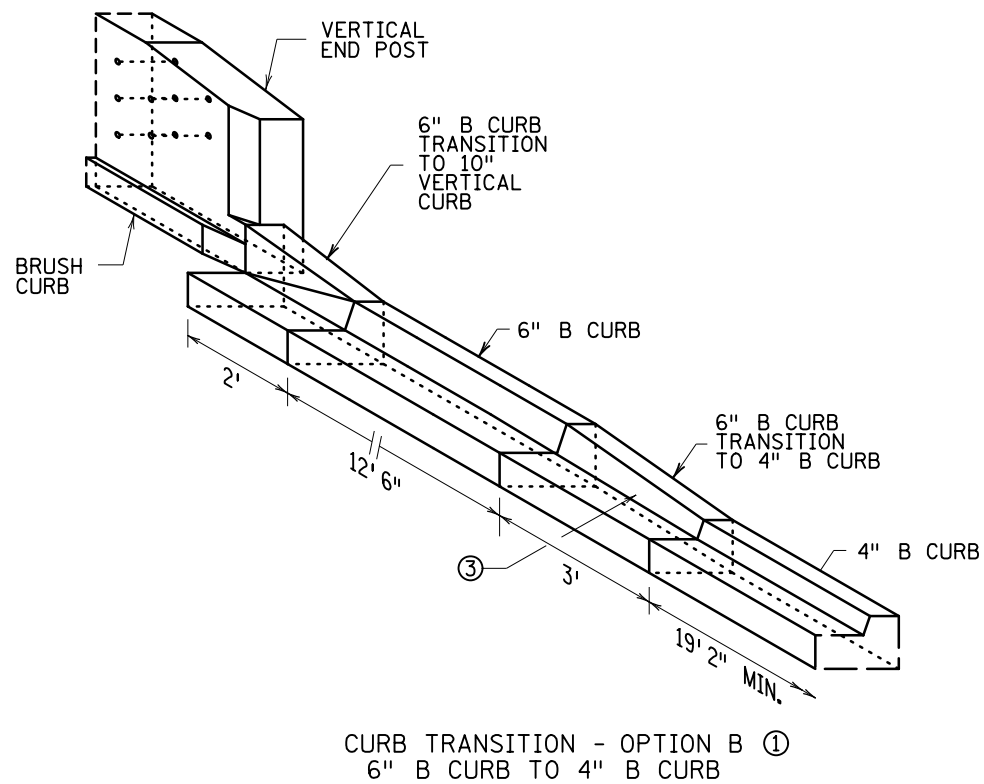
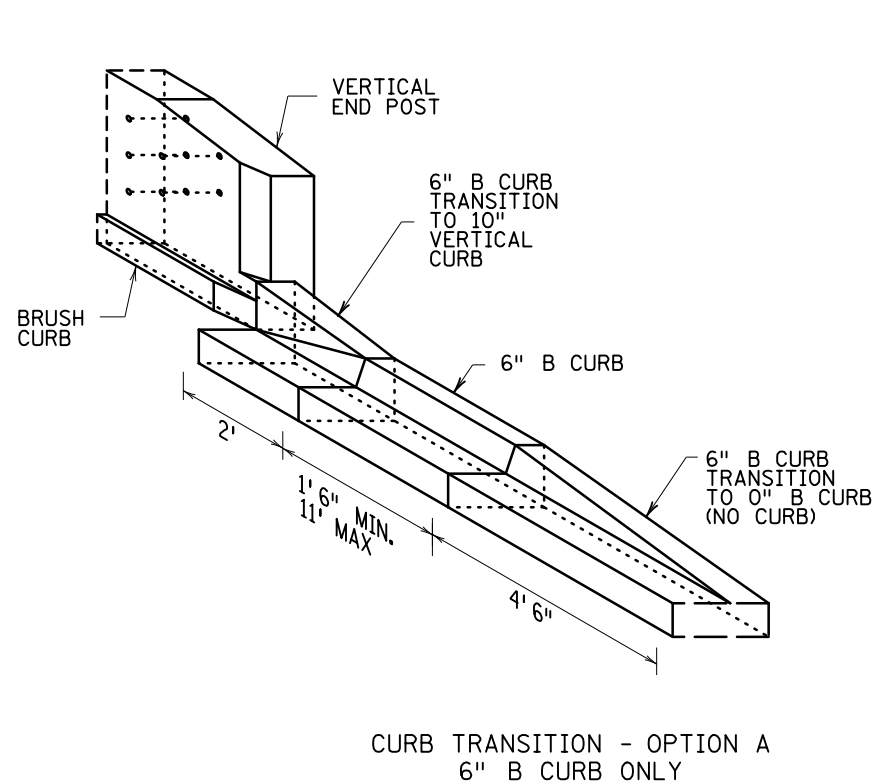
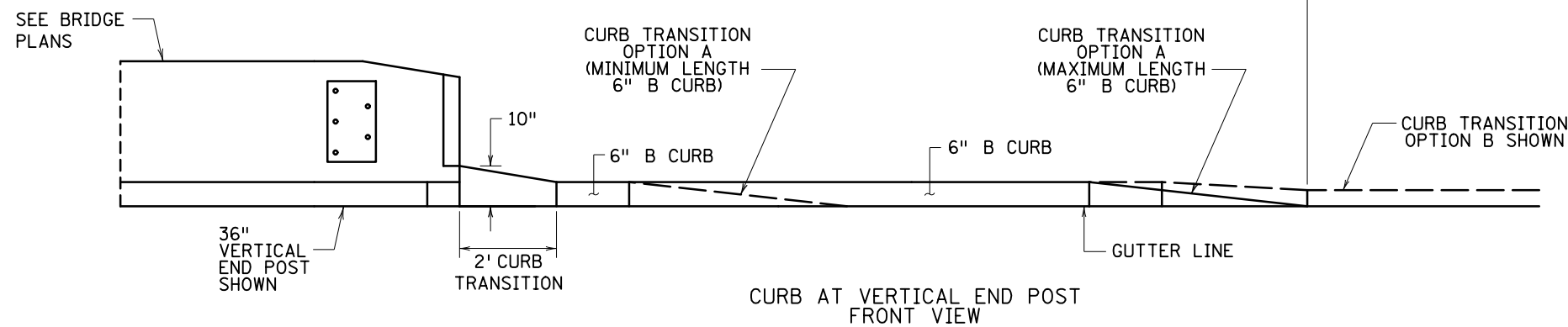
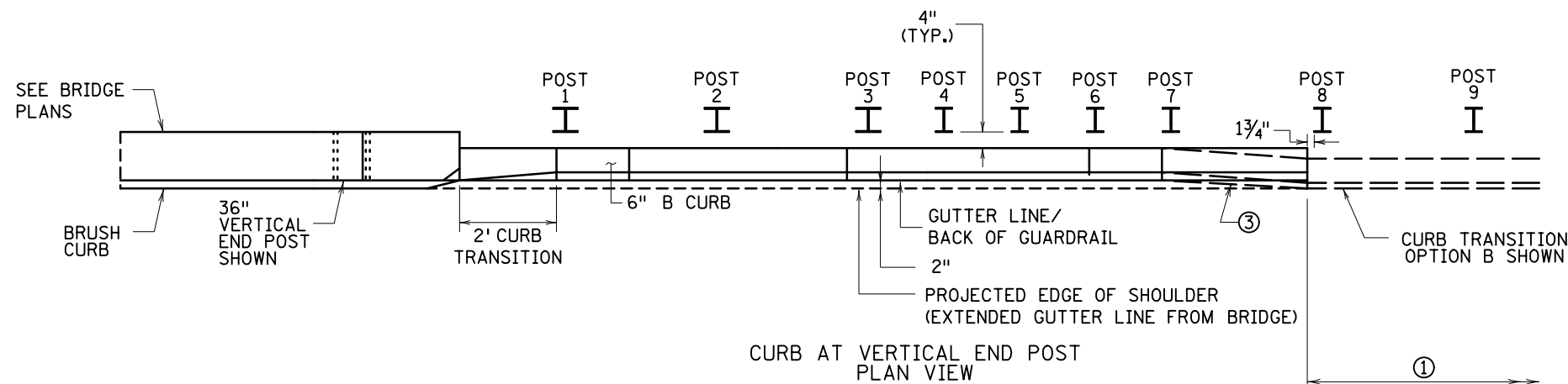
STANDARD PLAN  
 5-297.693

1 OF 3

STANDARD PLAN

STATE PROJ. NO.  
 TRUNK HWY.

SHEET NO.  
 TOTAL SHEETS



- NOTES:
- DESIGN B CURB REQUIRED WITH THIS SYSTEM.
  - DESIGN D CURB ALLOWED BEYOND THE 37' 6" DISTANCE FROM THE RAIL CONNECTION AT THE THRIE-BEAM ANCHORAGE PLATE.
  - REFER TO APPROACH PANEL PLANS FOR LOCATION OF E8 JOINT.
  - ① CURB TERMINATION NOT ALLOWED BETWEEN POST 8 AND 37' 6" FROM THE RAIL CONNECTION AT THE THRIE-BEAM ANCHORAGE PLATE. SEE SHEET 1 OF 3.
  - ② AT CURB CONTAINING E8 EXPANSION JOINT, PLACE THE BACK FACE OF GUARDRAIL AT THE GUTTER LINE.
  - ③ GUTTER LINE TAPERS 2" TO MATCH EXTENDED GUTTER LINE FROM BRIDGE.

LEAD EXPERT OFFICE

NANCY YOO  
DESIGN SUPPORT DIRECTOR  
OFFICE OF PROJECT MANAGEMENT  
& TECHNICAL SUPPORT

APPROACH GUARDRAIL TRANSITION (AGT) TYPE 31  
AT VERTICAL END POST  
CURB DETAILS

APPROVED: 07-05-2022  
REVISED:

*Thomas Styrbicki*  
THOMAS STYRBICKI  
STATE DESIGN ENGINEER

STANDARD PLAN  
5-297.693

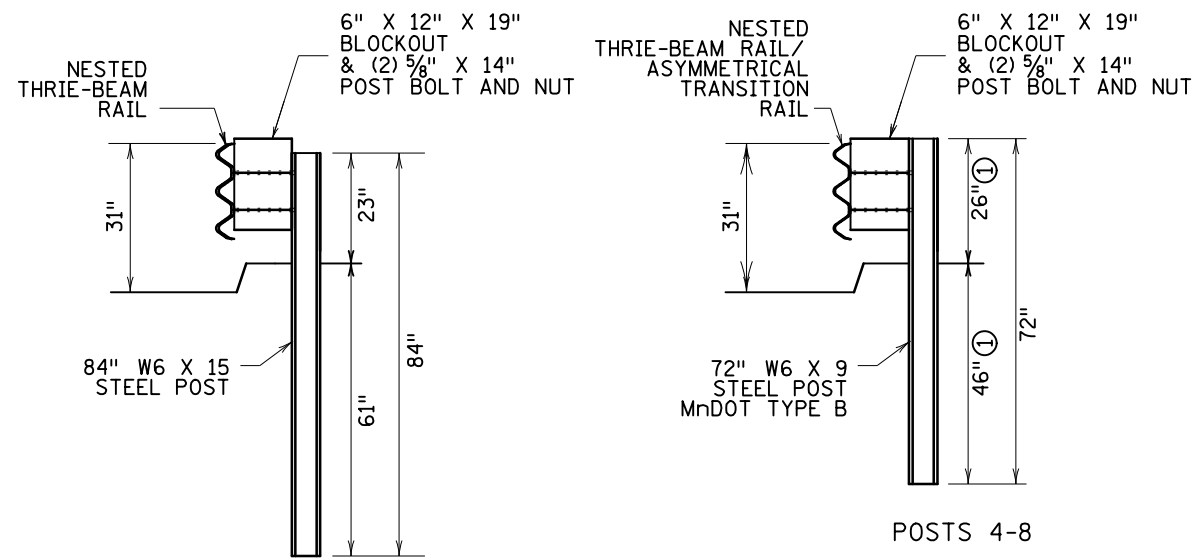
2 OF 3



STANDARD PLAN

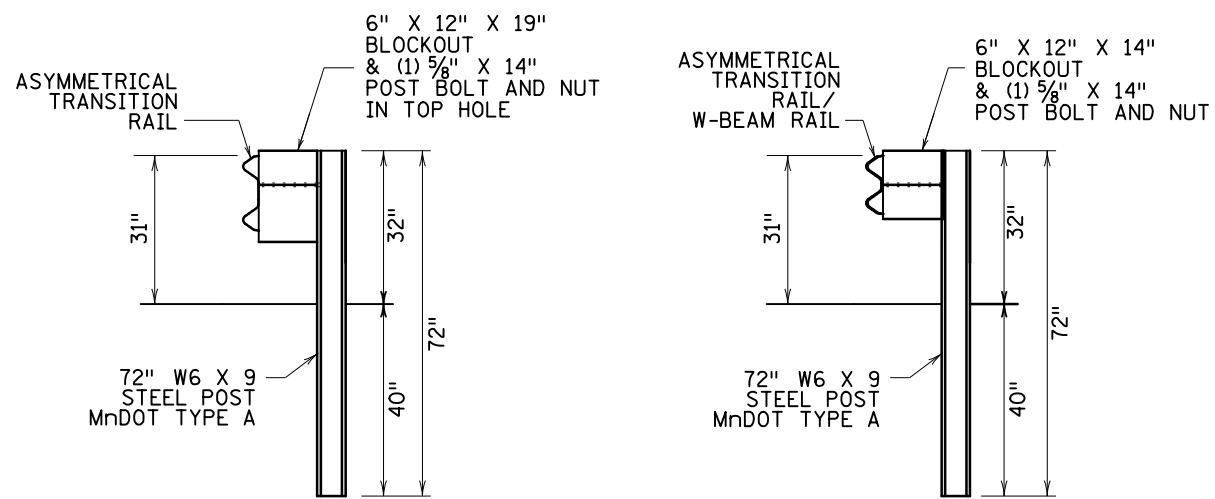
STATE PROJ. NO.  
TRUNK HWY.

SHEET NO.  
TOTAL SHEETS



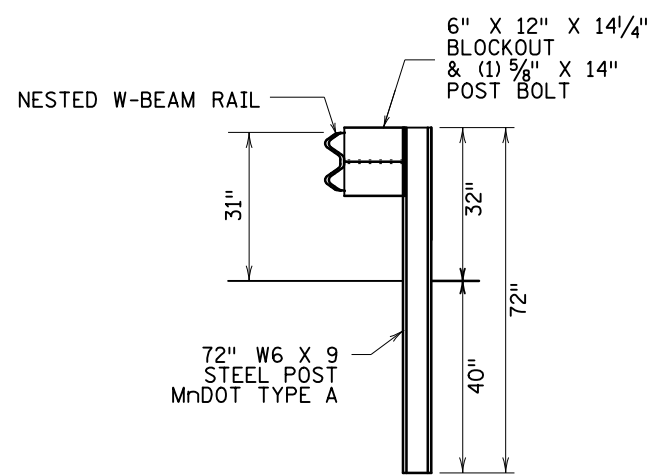
POSTS 1-3

POSTS 4-8



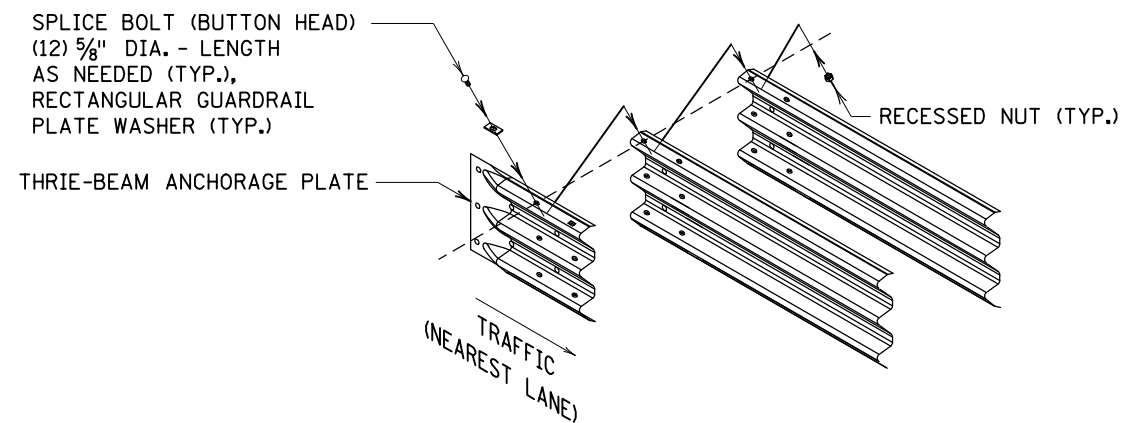
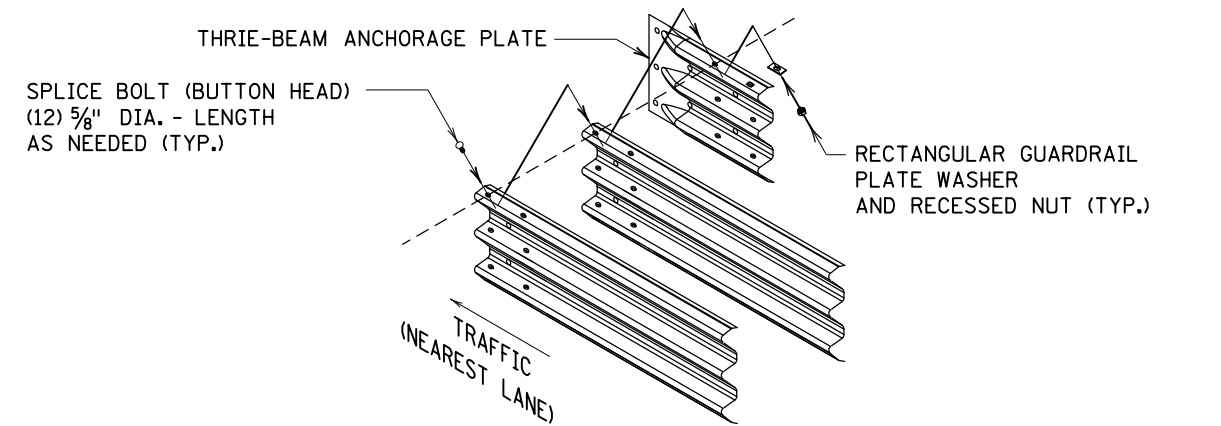
POST 9

POST 10

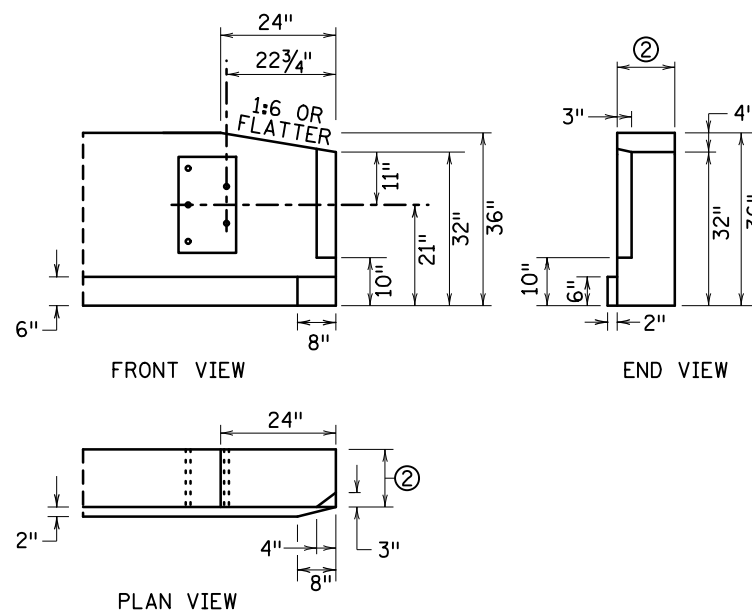


POSTS 11-12

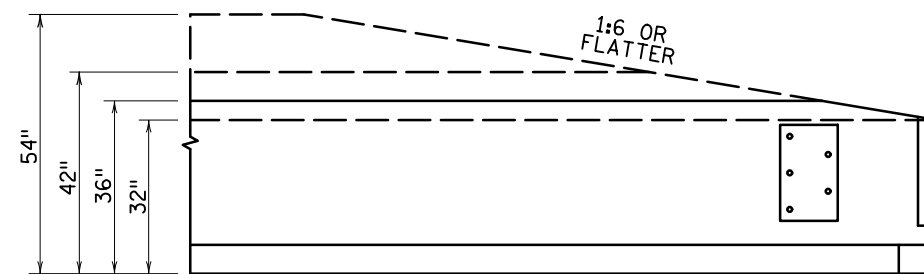
AGT POST COMPONENTS



THRIE BEAM RAIL/ANCHORAGE PLATE SPLICE CONNECTION DETAIL ④



VERTICAL END POST ③  
(36" HEIGHT SHOWN)



VERTICAL END POST HEIGHT OPTIONS

- NOTES:  
 FOR GUARDRAIL STEEL POSTS, SEE STANDARD PLATE 8361.  
 FOR GUARDRAIL BLOCKOUTS, SEE STANDARD PLATE 8369.  
 GUARDRAIL BEAM AND HARDWARE IN ACCORDANCE WITH AASHTO SPEC. M 180.  
 ① DIMENSIONS APPLICABLE FOR POSTS 4-5. DIMENSIONS VARY AT POSTS 6-8 WHERE CURB HEIGHT TRANSITIONS TO NO HEIGHT.  
 ② SEE BRIDGE PLAN.  
 ③ 36" HEIGHT SHOWN. 32", 48", AND 54" HEIGHT AVAILABLE.  
 ④ DRILL ANCHORAGE PLATE AS NEEDED FOR FIT, REPAIR GALVANIZED COATINGS IN ACCORDANCE WITH ASTM SPEC. A780.

LEAD EXPERT OFFICE  
 NANCY YOO  
 DESIGN SUPPORT DIRECTOR  
 OFFICE OF PROJECT MANAGEMENT & TECHNICAL SUPPORT

APPROACH GUARDRAIL TRANSITION (AGT) TYPE 31  
 AT VERTICAL END POST  
 MISCELLANEOUS AND COMPONENT DETAILS

APPROVED: 07-05-2022  
 REVISED:

THOMAS STYRBICKI  
 STATE DESIGN ENGINEER

STANDARD PLAN  
 5-297.693

3 OF 3



STANDARD PLAN

STATE PROJ. NO.  
 TRUNK HWY.

SHEET NO.  
 TOTAL SHEETS