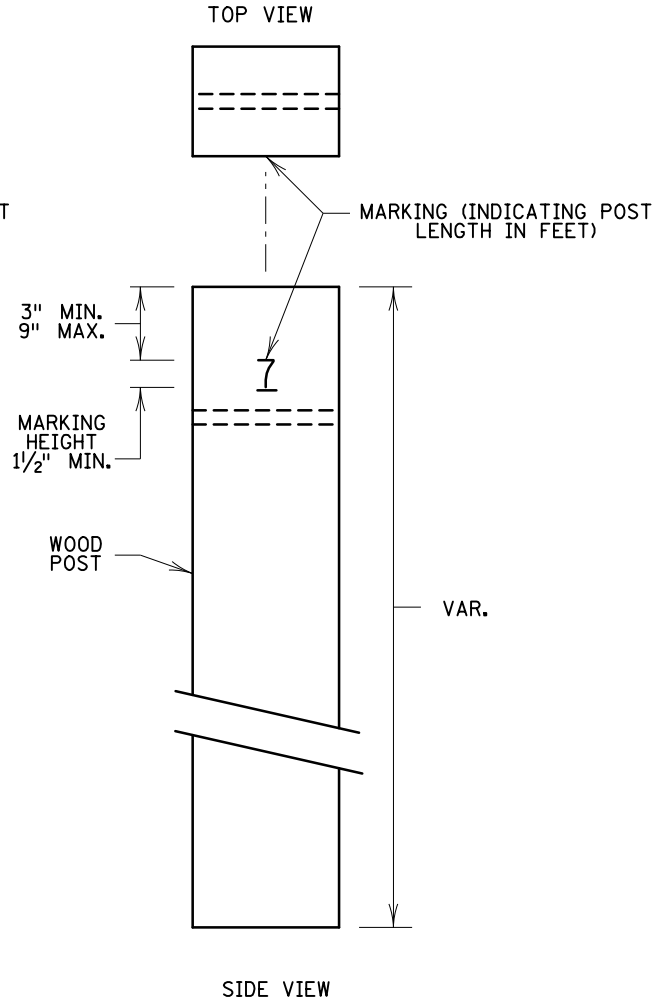


STEEL GUARDRAIL POST



WOOD GUARDRAIL POST

NOTES:


STANDARD LENGTH 6' POSTS DO NOT REQUIRE MARKING. ALL OTHER POSTS SHALL BE MARKED.

POSTS SHALL BE MARKED ON ONE SIDE TO INDICATE POST LENGTH IN FEET. FOR POST LENGTH IN HALF-FOOT INCREMENTS, THE WHOLE FOOT NUMBER SHALL BE UNDERLINED. (EXAMPLE: 7' 6" POST SHALL BE MARKED AS 7) STEEL POSTS SHALL BE DIE STAMPED (DEBOSSSED). WOOD POSTS SHALL BE BRANDED OR IMPRINTED.

MARKING SHALL BE PERMANENT SUCH AS TO RESIST OBLITERATION DURING STORAGE, TRANSPORTATION, AND PLACEMENT, AND SHALL BE LEGIBLE AFTER PLACEMENT AND AFTER THE ATTACHMENT OF DELINEATOR.

MANUFACTURER SHALL MARK POST PRIOR TO DELIVERY. CHARACTER SIZE AND LOCATION PER MANUFACTURER'S PREFERENCE WITHIN TOLERANCES SHOWN.

STEEL POSTS SHALL BE STAMPED PRIOR TO GALVANIZATION.

APPROVED 03-05-2020

 STATE DESIGN ENGINEER

STATE OF MINNESOTA
 DEPARTMENT OF TRANSPORTATION
GUARDRAIL POST LENGTH MARKING

SPECIFICATION
 REFERENCE
 3306
 3394
 REVISED
 07-05-2022 KY

STANDARD
 PLATE
 NO.
8360B