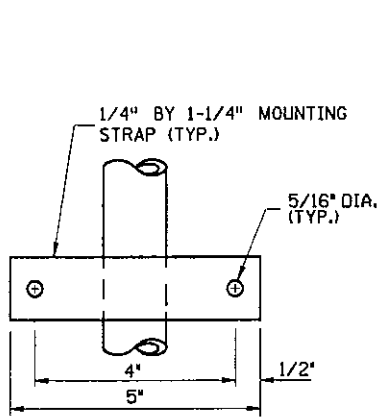
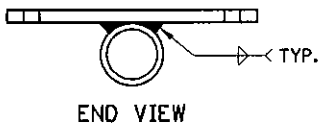


SECTION A-A

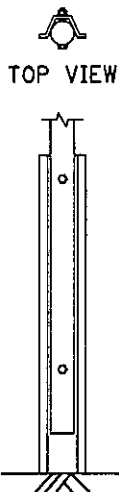


TOP VIEW



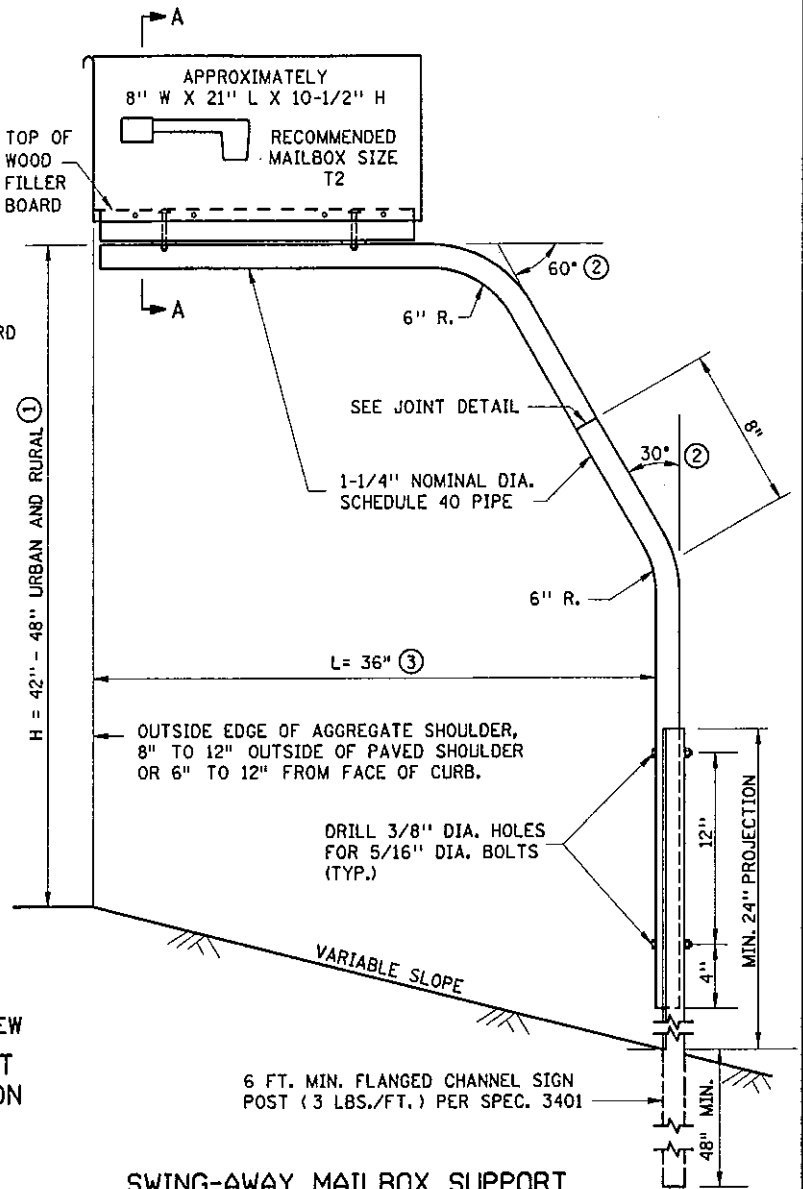
END VIEW

MOUNTING STRAP DETAIL

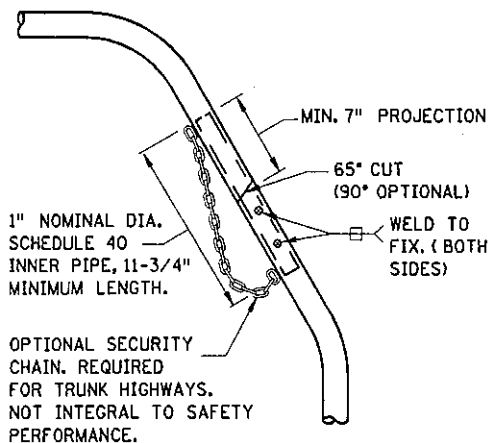


TOP VIEW

ROADWAY VIEW
PIPE/POST
CONNECTION



SWING-AWAY MAILBOX SUPPORT



JOINT DETAIL

NOTES:

MAILBOX LOCATIONS SHOULD BE STAKED BEFORE INSTALLATION FOR PROPER HEIGHT AND DISTANCE FROM THE ROADWAY. ONCE STAKED, THE INSTALLER MUST NOTIFY THE ENGINEER AND THE POST OFFICE. THE ENGINEER AND THE POSTMASTER SHALL APPROVE THE STAKED LOCATIONS PRIOR TO FINAL INSTALLATION.

THE MINIMUM SPACING (CENTER TO CENTER) BETWEEN MULTIPLE MAILBOX SUPPORTS SHALL BE EQUAL TO THE HEIGHT OF THE MAILBOX SUPPORT.

OTHER MAILBOX SUPPORT DESIGNS MAY BE USED IF THEY SATISFY NCHRP REPORT 350 CRITERIA IN ACCORDANCE WITH FHWA ACCEPTANCE LETTER, MEET MINNESOTA RULES 8818 AND U.S. POST OFFICE RECOMMENDATIONS AND ARE IN COMPLIANCE WITH MN/DOT REQUIREMENTS WHICH MAY INCLUDE THE FOLLOWING (REQUIRED ON TRUNK HIGHWAYS):

- PIPE SHALL CONFORM TO SPEC. 3362, SCHEDULE 40 OF ASTM A53/A53M.
- ALL FASTENERS SHALL CONFORM TO SPEC. 3391.
- PIPES, POST AND OTHER STEEL COMPONENTS SHALL BE GALVANIZED PER SPEC. 3392.

THE CONTRACTOR SHALL SEND THE SHOP DRAWINGS TO THE ENGINEER FOR APPROVAL. FOR QUESTIONS REGARDING DESIGN ELEMENTS AND BREAKAWAY FEATURES, CONTACT THE DESIGN STANDARDS UNIT.

- ① ANY CHANGE IN HEIGHT (H) MUST BE APPROVED BY LOCAL POSTMASTER.
- ② 45° BENDS MAY BE USED AS AN OPTION.
- ③ A 48" OR 53" CANTILEVER LENGTH (L) MAY BE USED AS AN OPTION FOR NON-TRUNK HIGHWAY USE.

APPROVED JUNE 1, 2007

M. Rakus

STATE DESIGN ENGINEER

STATE OF MINNESOTA
DEPARTMENT OF TRANSPORTATION

MAILBOX SUPPORT
SWING-AWAY TYPE

SPECIFICATION
REFERENCE

3362
3391
3392
3401

STANDARD
PLATE
NO.

9350A