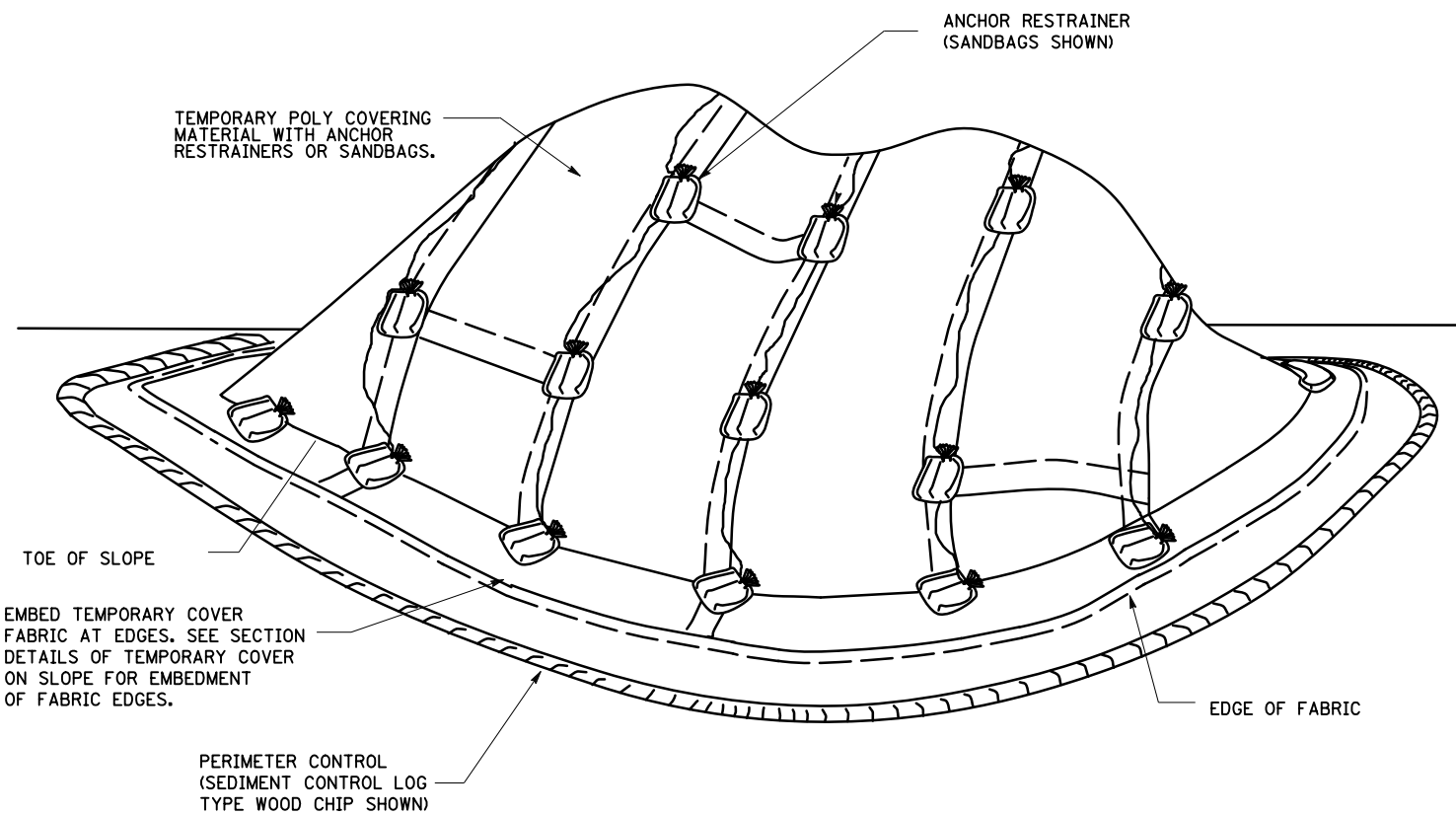
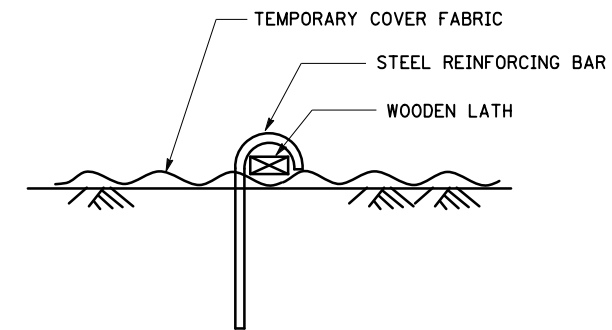


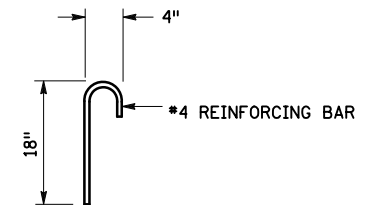
TEMPORARY POLY COVER ON SLOPE



TEMPORARY POLY COVER ON STOCKPILE



ANCHOR RESTRAINER  
(STEEL BAR AND WOODEN LATH OPTION)



STEEL REINFORCING BAR DETAIL

NOTES:

ANCHOR RESTRAINERS: TYPE, QUANTITY, AND SPACING ARE INCIDENTAL TO POLY COVER. PROVIDE ON CORNERS AND SEAMS OF POLY COVER MATERIAL TO KEEP FROM BLOWING OFF. NO MINIMUM SPACING REQUIRED.

PERIMETER CONTROL: USE SEDIMENT CONTROL LOGS TYPE WOOD CHIP OR COMPOST, INCIDENTAL.

LEAD EXPERT OFFICE  
LYNN CLARKOWSKI  
CHIEF ENVIRONMENTAL OFFICER  
OFFICE OF ENVIRONMENTAL STEWARDSHIP



TEMPORARY EROSION CONTROL  
TEMPORARY POLY COVERINGS

APPROVED: 02-28-2017  
REVISED:

*Thomas Styrbicki*  
THOMAS STYRBICKI  
STATE DESIGN ENGINEER

STANDARD PLAN  
5-297.409

1 OF 1

STANDARD PLAN

STATE PROJ. NO.  
TRUNK HWY.

SHEET NO.  
TOTAL SHEETS