

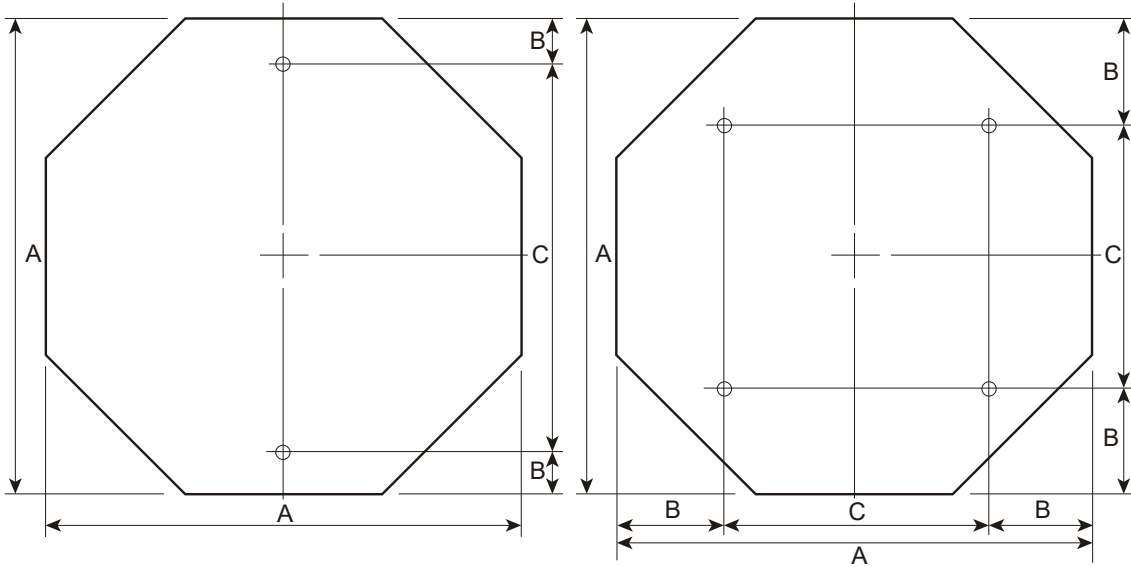
MnDOT Standard Signs and Markings Manual

Standard Sign Details

Punching Codes

Octagon and Equilateral Triangle	1
Vertical Rectangle.....	2
Horizontal Rectangle	3
Square and Diamond.....	4
Interstate Shield and County Shield	5
Pentagon and Circle	6
Pennant, Cylinder Delineator, Angular Delineator	7
Adopt A Highway and Adopt A Rest Area	8

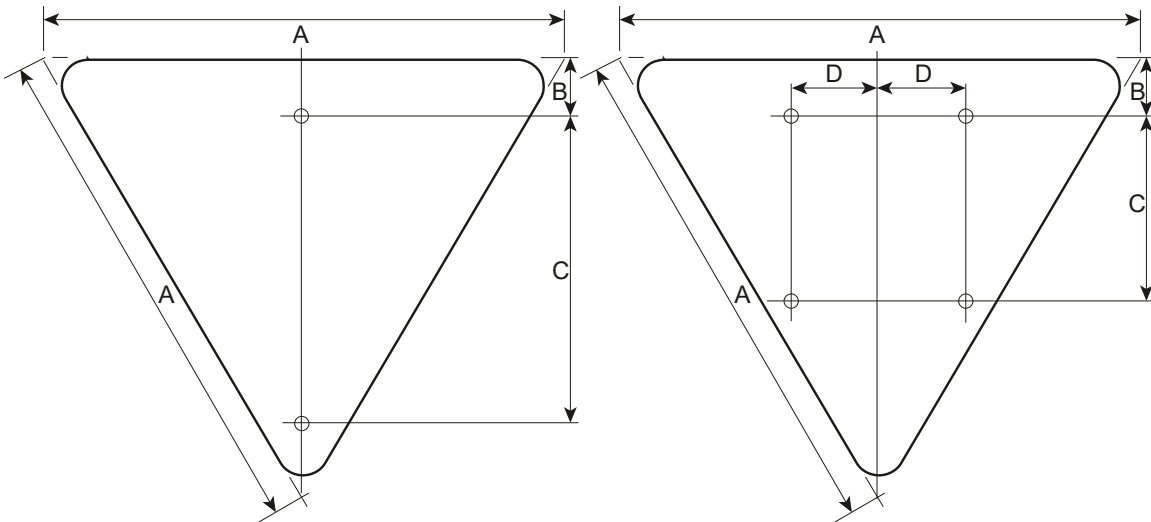
OCTAGON



1 Post		
A	B	C
18	3	12
30	3	24

2 Stringers		
A	B	C
36	13	10
48	13	22

EQUILATERAL TRIANGLE



1 Post		
A	B	C
18	1.5	12
30	3	18
36	3	21

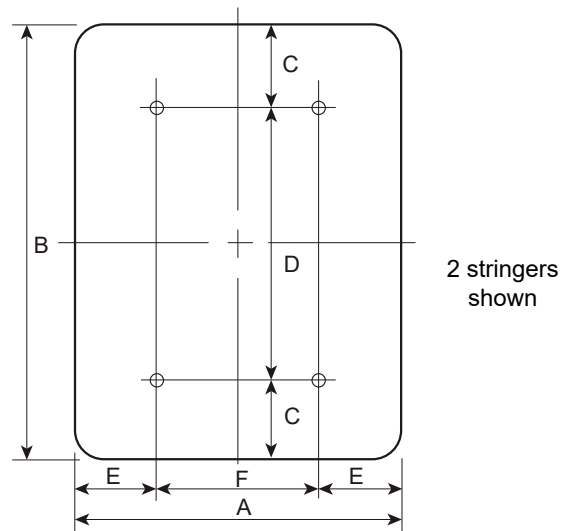
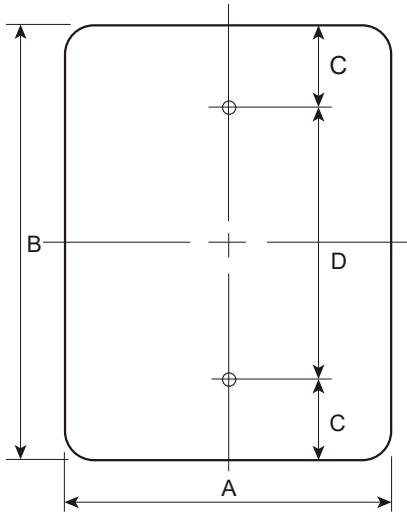
2 Stringers			
A	B	C	D
48	3	18	9
60	6	24	12

NOTES:

1. All dimensions are in inches.
2. All bolt holes shall have a diameter of .375" (3/8").
3. Sketches show normal position of sign when mounted.

November 2020

VERTICAL RECTANGLE



Width less than or equal to 30"			
A	B	C	D
0-30"	12	1.5	9
0-30"	15	1.5	12
0-30"	18	1.5	15
0-30"	24	3	18
0-30"	27	3	21
0-30"	30	3	24
0-30"	36	3	30
0-30"	42	6	30
0-30"	48	6	36
0-18"	54	6	42
0-18"	60	6	48
0-18"	72	9	54

Stringers - width 36" or greater

Width Chart		
A	E	F
36	13	10
42	13	16
48	13	22
Larger signs see punching codes for D signs		

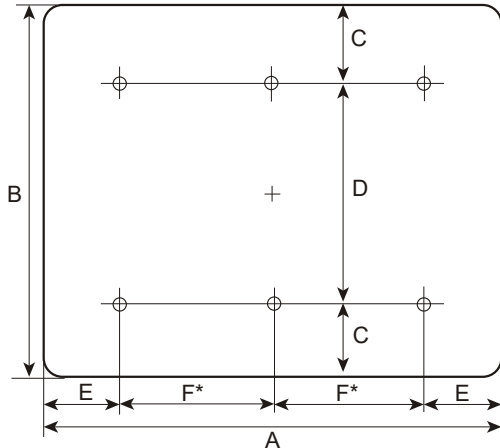
Height Chart		
2 Stringers		
B	C	D
36	6	24
42	6	30
48	9	30
54	12	30
60	12	36
3 Stringers		
B	C	D
66	9	24
72	6	30
78	9	30
84	12	30
90	9	36
96	12	36
Larger signs see punching codes for D signs		

NOTES:

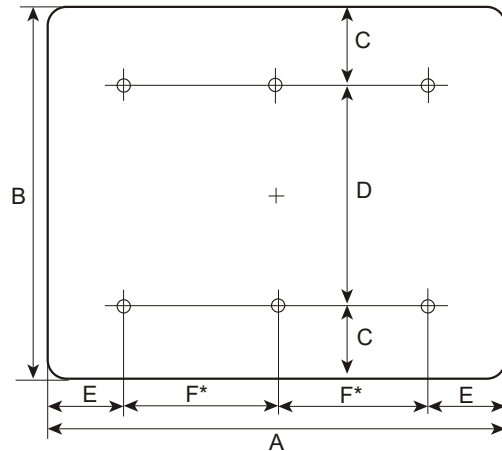
1. All dimensions are in inches.
2. All bolt holes shall have a diameter of .375" (3/8").
3. Sketches show normal position of sign when mounted.

November 2020

HORIZONTAL RECTANGLE



* Bolt Spacing
1 Post



* Bolt Spacing
Multi-Post

Width Chart		
No Stringers		
A	E	F
12	6	0
15	7.5	0
18	9	0
21	10.5	0
22.5	11.25	0
24	12	0
30	15	0
2 Stringers		
36	13	10
42	13	16
45	13	19
48	13	22
54	13	14
60	13	17

Height Chart		
B	C	D
6	1.5	3
8	1	6
9	1.5	6
10	2	6
12	3	6
15	4.5	6
18	3	12
21	4.5	12
22	3.5	15
24	3	18
30	3	24
36	13	10
42	9	24
48	9	30

Width Chart		
A	E	F*
66	10	23
72	10.5	17
78	10.5	19
84	10.5	21
90	10.5	23
96	10	19
102	11	20
108	10	22
114	11	23
120	10	20
126	10.5	21
132	11	22
138	9	24
144	12	20

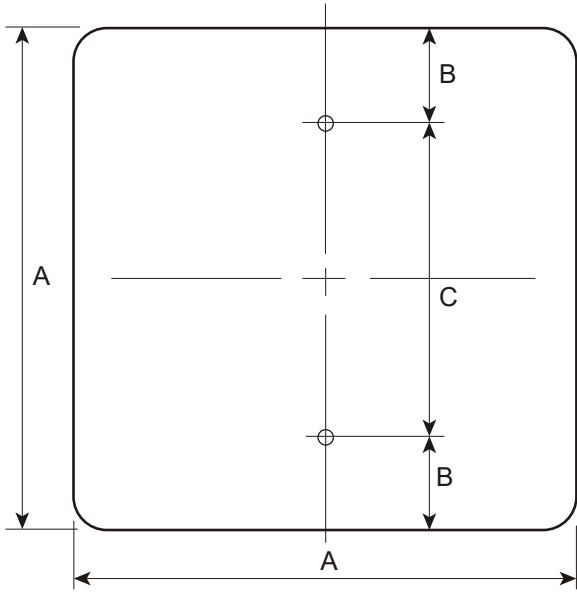
Height Chart		
1 Stringer		
B	C	D
12	6	0
15	7.5	0
18	9	0
21	10.5	0
22	11	0
24	12	0
2 Stringers		
30	3	24
36	6	24
42	9	24
48	9	30

NOTES:

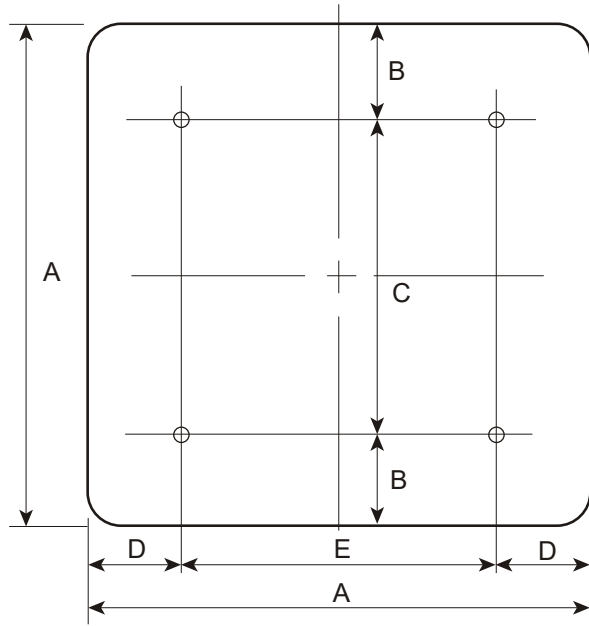
1. All dimensions are in inches.
2. All bolt holes shall have a diameter of .375" (3/8").
3. Sketches show normal position of sign when mounted.

November 2020

SQUARE

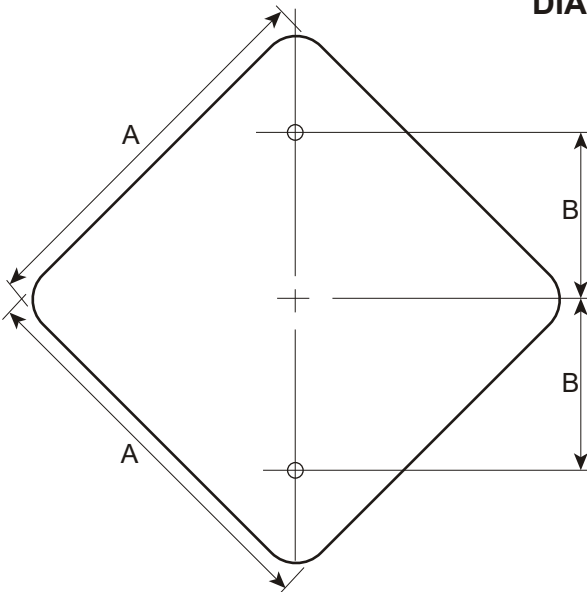


1 Post		
A	B	C
18	3	12
24	3	18
30	3	24

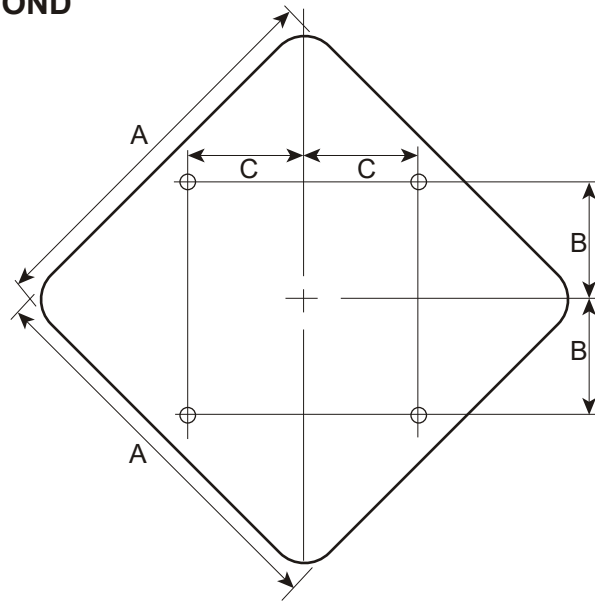


2 Stringers				
A	B	C	D	E
36	13	10	13	10
48	13	22	13	22

DIAMOND



1 Post	
A	B
4	0
18	3
24	12
30	15



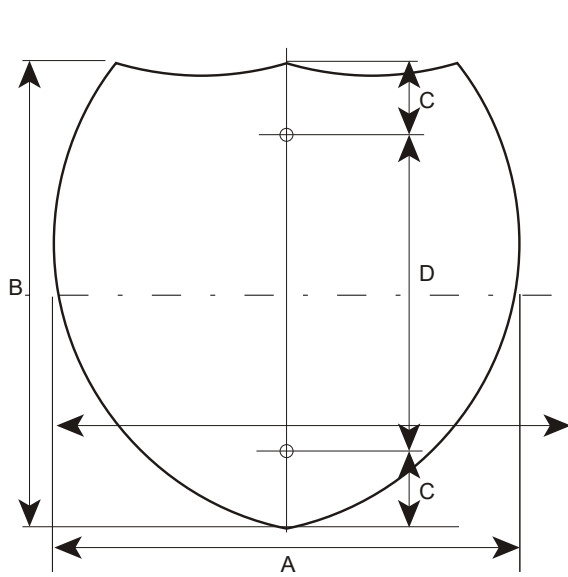
2 Stringers		
A	B	C
36	9	9
48	15	15
60	18	18

NOTES:

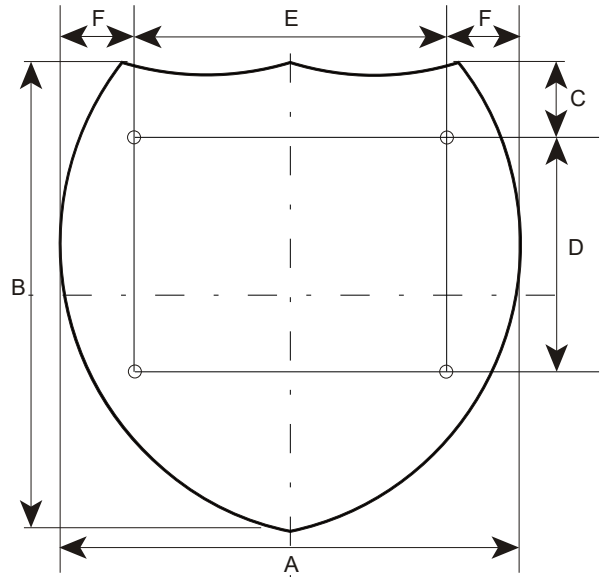
1. All dimensions are in inches.
2. All bolt holes shall have a diameter of .375" (3/8").
3. Sketches show normal position of sign when mounted.

November 2020

INTERSTATE SHIELD

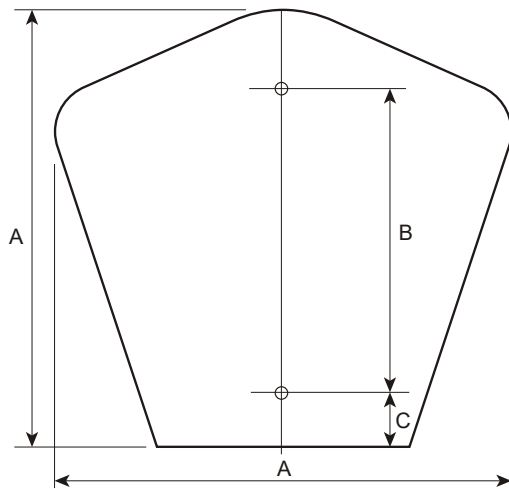


1 post			
A	B	C	D
18	18	3	12
22.5	18	3	12
24	24	3	18
30	24	3	18

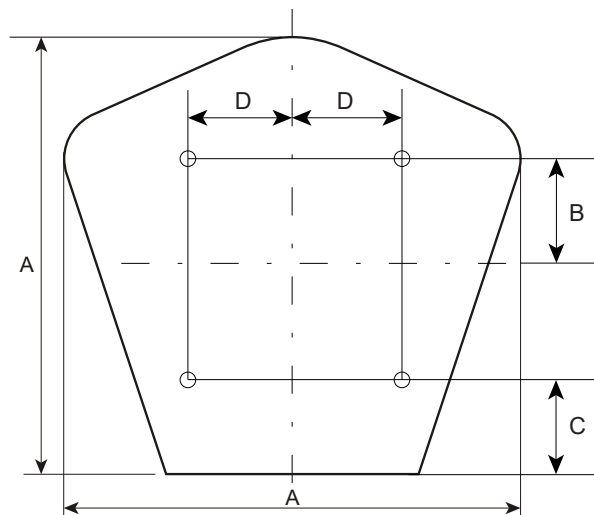


2 Stringers					
A	B	C	D	E	F
36	36	13	10	10	13
45	36	13	10	19	13

COUNTY SHIELD



1 post		
A	B	C
18	12	3
24	18	3



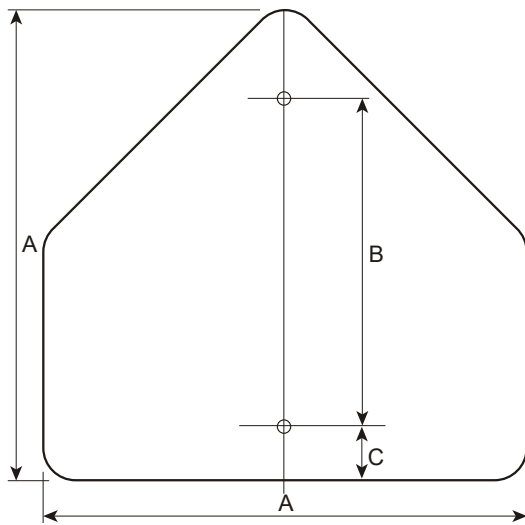
2 Stringers			
A	B	C	D
36	10	13	5

NOTES:

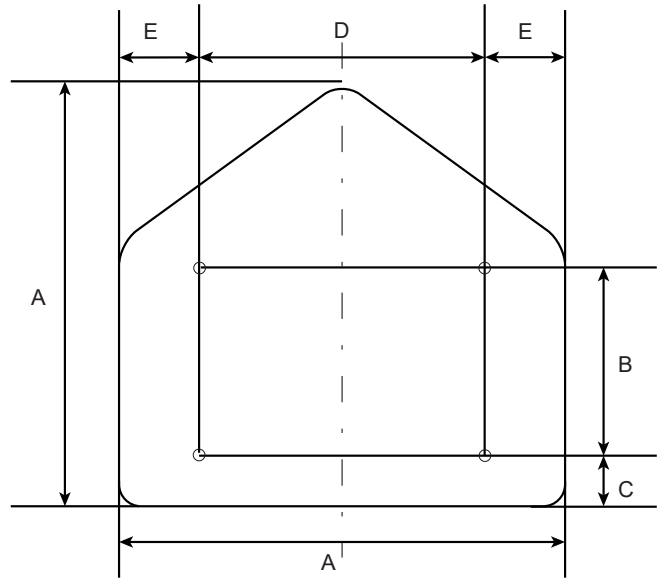
1. All dimensions are in inches.
2. All bolt holes shall have a diameter of .375" (3/8").
3. Sketches show normal position of sign when mounted.

November 2020

PENTAGON

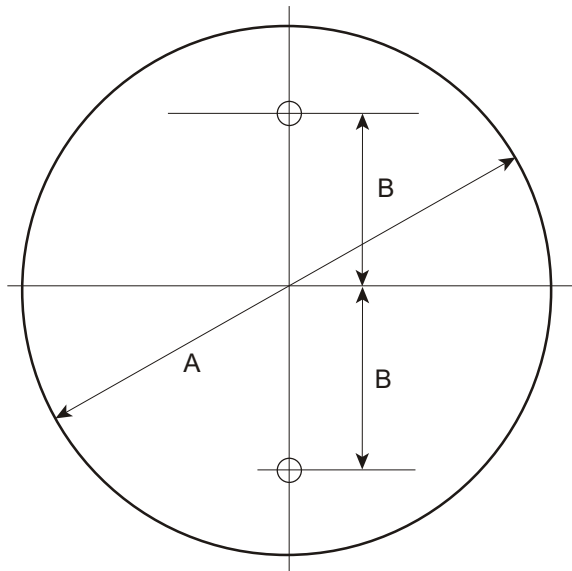


1 post		
A	B	C
30	21	3

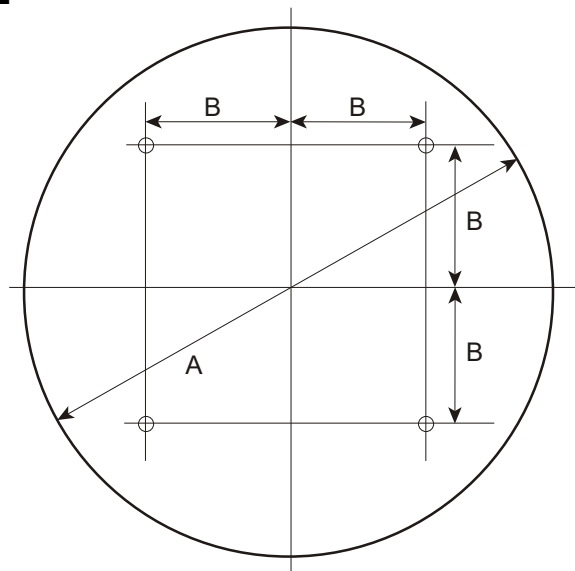


2 Stringers				
A	B	C	D	E
36	12	3	10	13
48	18	3	22	13

CIRCLE



1 post	
A	B
24	6



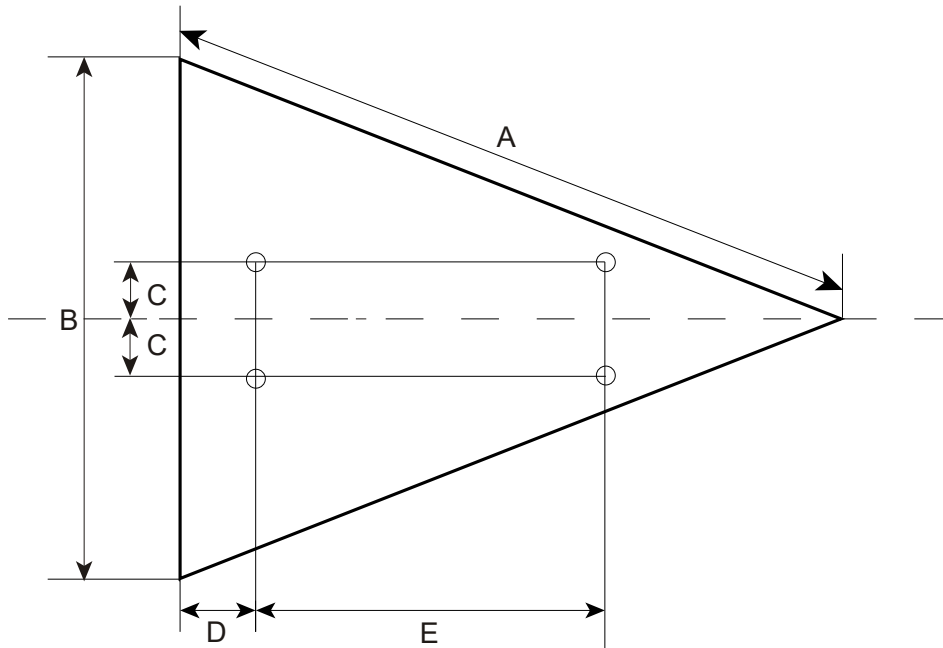
2 Stringers	
A	B
36	5
48	11

NOTES:

1. All dimensions are in inches.
2. All bolt holes shall have a diameter of .375" (3/8").
3. Sketches show normal position of sign when mounted.

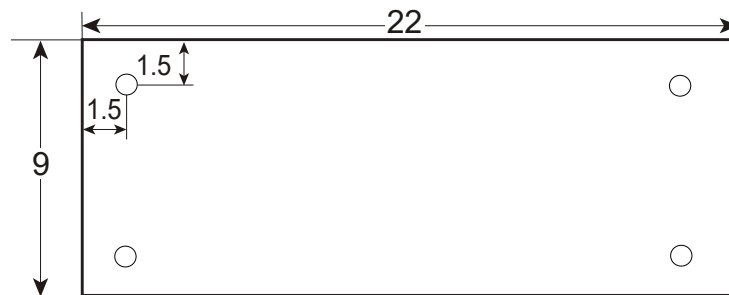
November 2020

PENNANT



2 Stringers				
A	B	C	D	E
64	48	6	10	30

CYLINDER DELINEATOR



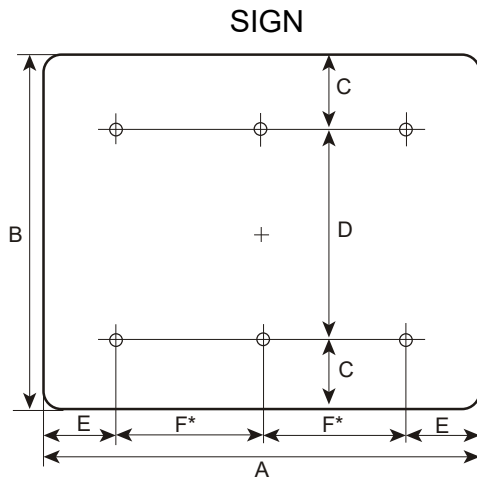
ROLL INTO 6 INCH DIAMETER

NOTES:

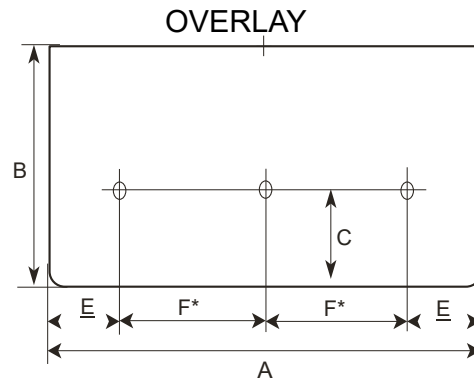
1. All dimensions are in inches.
2. All bolt holes shall have a diameter of .375" (3/8").
3. Sketches show normal position of sign when mounted.

March 2023

**ADOPT A HIGHWAY AND
ADOPT A REST AREA**



*Bolt Spacing 1 Post



Width Chart 2 Stringers		
A	E	F
42	13	16
60	13	17

Height Chart		
B	C	D
24	6	12
36	9	18

Width Chart		
A	E	F
42	13	16
60	13	17

Height Chart	
B	C
12	6
18	9

NOTES:

1. All dimensions are in inches.
2. All bolt holes shall have a diameter of .375" (3/8").
3. Sketches show normal position of sign when mounted.

March 2023