

PLAN VIEW

NOTES:

1/2" RADIUS ON ALL FORMED EDGES OF PAD.

COVER THE TOP OF THE CONDUITS AFTER PLACEMENT UNTIL THE CONDUCTORS ARE PLACED.

LOCATE CONDUITS INSIDE THE CABINET AWAY FROM SUPPORTING MEMBERS AND DIVIDERS OF THE CABINET.

PROVIDE TWO 15 FOOT LONG GROUND ROD ELECTRODES. PLACE A GROUNDING ELECTRODE SYSTEM IN ACCORDANCE WITH SPEC 2545.3F.3, SEE DETAIL (GROUNDING ELECTRODE SYSTEM FOR CAST-IN-PLACE PAD) ON SHEET 3 OF STANDARD PLATE 8106.

USE CONCRETE MIX 3F52.

USE GALVANIZED ANCHOR RODS, NUTS, AND WASHERS SUPPLIED WITH THE CABINET.

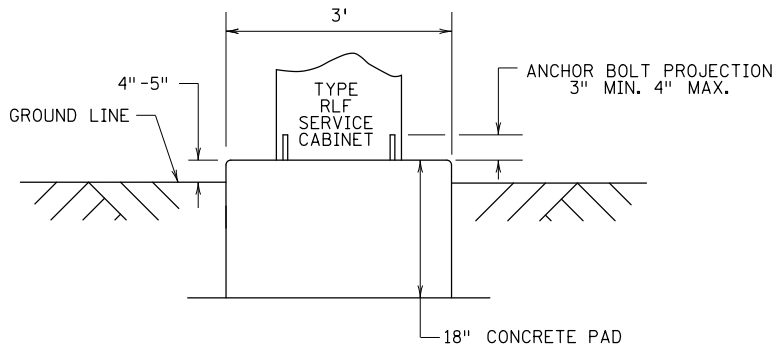
APPROVED DECEMBER 16, 2016

Ron Smith
STATE DESIGN ENGINEER

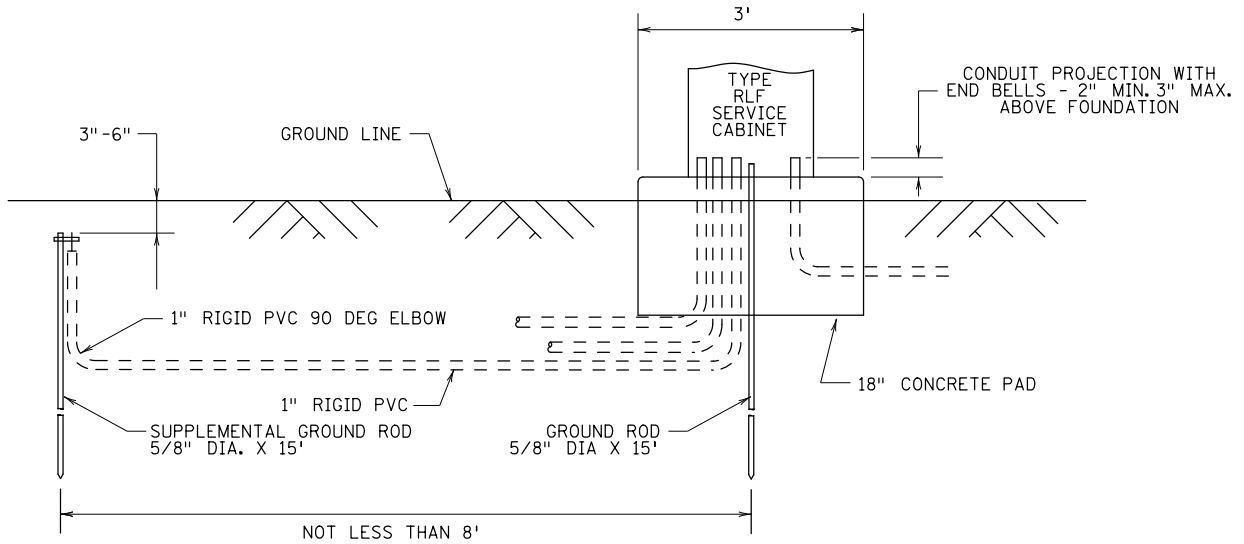
STATE OF MINNESOTA
DEPARTMENT OF TRANSPORTATION
RLF EQUIPMENT PAD
FOUNDATION LAYOUT
(CAST-IN-PLACE)

SPECIFICATION
REFERENCE
2461
2545
3850

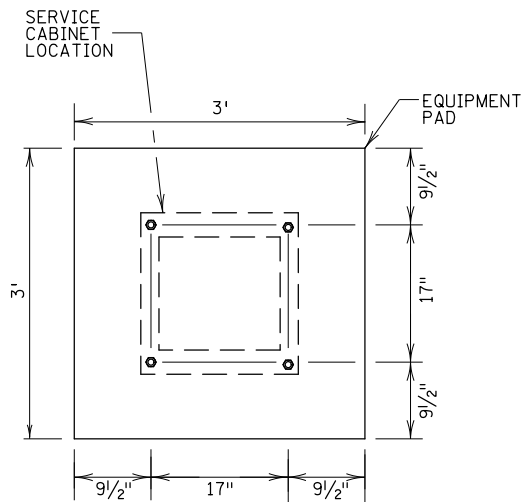
STANDARD
PLATE
NO.
8107A
1 OF 3



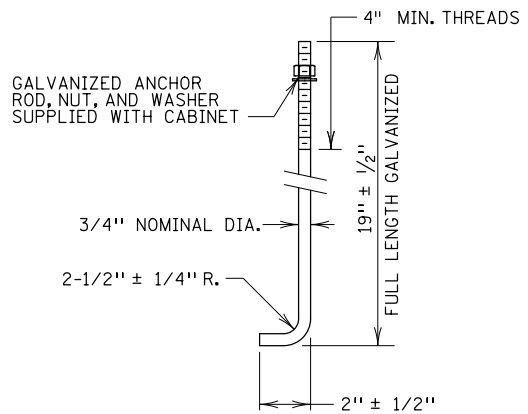
SIDE VIEW



FRONT VIEW



ANCHOR ROD LOCATION DETAIL



ANCHOR ROD DETAIL
(SPEC. 3385 TYPE A OR TYPE B AND GALVANIZED PER SPEC 3392)

SEE NOTES ON SHEET 1 OF 3.

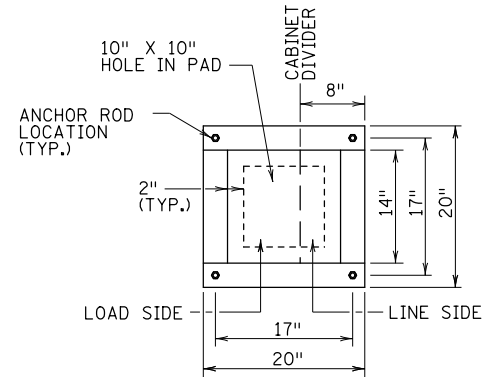
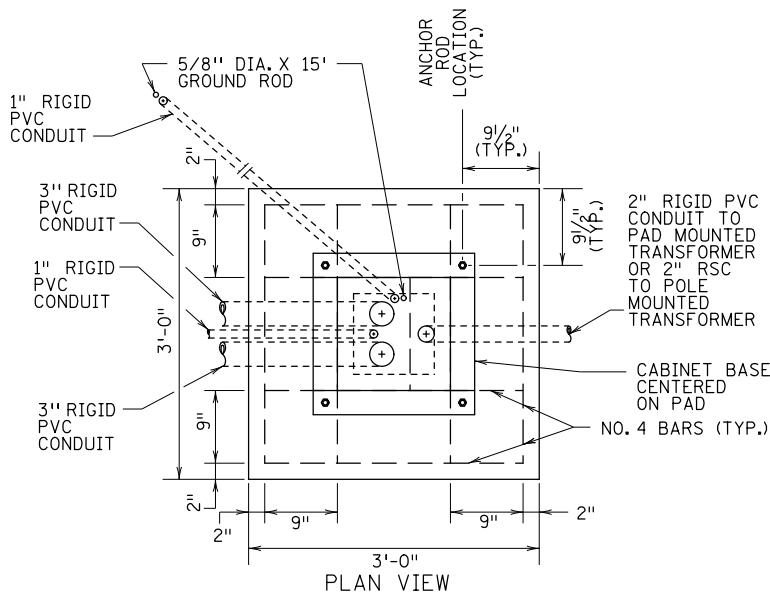
APPROVED DECEMBER 16, 2016

Ron Smith
STATE DESIGN ENGINEER

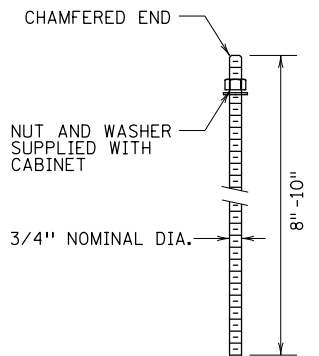
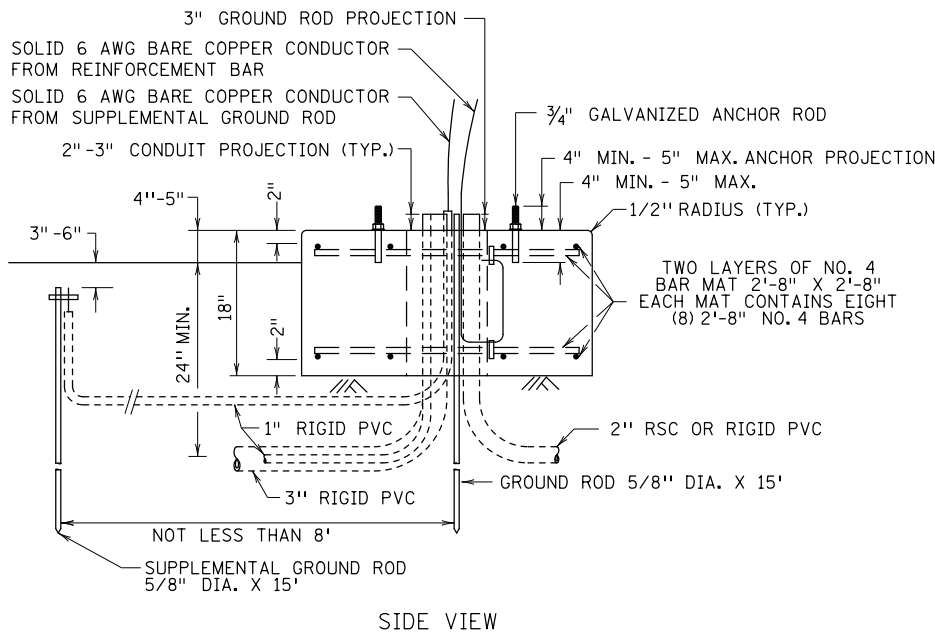
STATE OF MINNESOTA
DEPARTMENT OF TRANSPORTATION
RLF EQUIPMENT PAD
FOUNDATION LAYOUT
(CAST-IN-PLACE)

SPECIFICATION
REFERENCE
2451
2545
3850

STANDARD
PLATE
NO.
8107A
2 OF 3



CABINET BASE



ANCHOR ROD DETAIL
(SPEC. 3385 TYPE A OR TYPE B AND GALVANIZED PER SPEC 3392)

NOTES:

FILL 10" X 10" HOLE IN PAD WITH A MATERIAL APPROVED BY THE ENGINEER AFTER THE CONDUITS AND GROUND ROD HAVE BEEN PLACED.

USE CONCRETE MIX 3Y82.

1/2" RADIUS ON ALL EDGES OF PAD.

CAP THE TOP OF THE CONDUITS AFTER PLACEMENT UNTIL THE CONDUCTORS ARE PLACED.

LOCATE CONDUITS INSIDE THE CABINET AWAY FROM SUPPORTING MEMBERS AND DIVIDERS OF THE CABINET.

PROVIDE TWO 15' LONG GROUND ROD ELECTRODES. PLACE A GROUNDING ELECTRODE SYSTEM IN ACCORDANCE WITH SPEC 2545.3F.3. SEE DETAIL (GROUNDING ELECTRODE SYSTEM FOR PRECAST PAD) ON SHEET 3 OF STANDARD PLATE 8106.

CENTER CABINET ON PAD.

PROVIDE 3/4" GALVANIZED ANCHOR RODS, INSERT ANCHOR RODS IN 7/8" DIA. DRILLED HOLES 4" TO 5" DEEP WITH AN APPROVED EPOXY ADHESIVE FOUND ON MnDOT'S APPROVED/QUALIFIED PRODUCTS LIST (ACCESSIBLE PEDESTRIAN SIGNAL (APS) PUSH BUTTON BASE ADHESIVE ANCHORING). USE GALVANIZED NUTS AND WASHERS SUPPLIED WITH CABINET FOR ANCHOR RODS.

DO NOT USE MECHANICAL OR CONCRETE WEDGE ANCHORS. DO NOT WET CAST ANCHORS.

APPROVED DECEMBER 16, 2016

Ron Smith
STATE DESIGN ENGINEER

STATE OF MINNESOTA
DEPARTMENT OF TRANSPORTATION
RLF EQUIPMENT PAD
FOUNDATION LAYOUT
(PRECAST)

SPECIFICATION
REFERENCE
2451 2462
2545 2550
2565 3301
3850

STANDARD
PLATE
NO.
8107A
3 OF 3