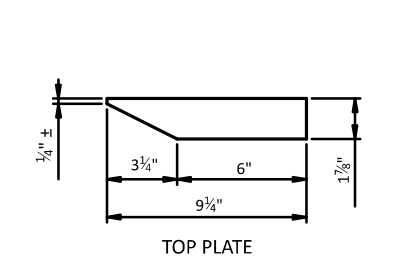
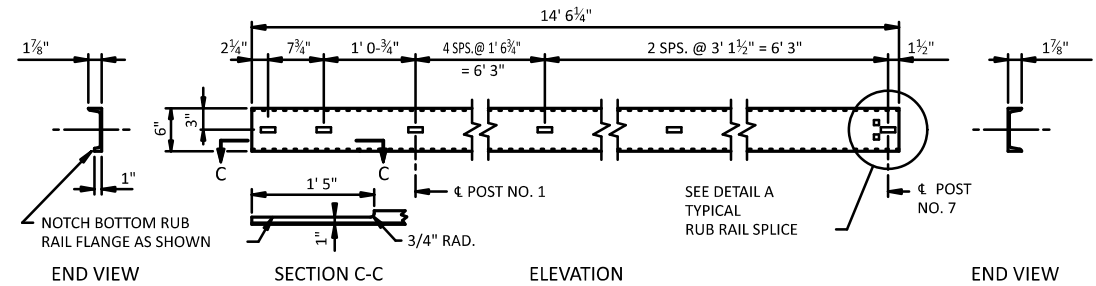


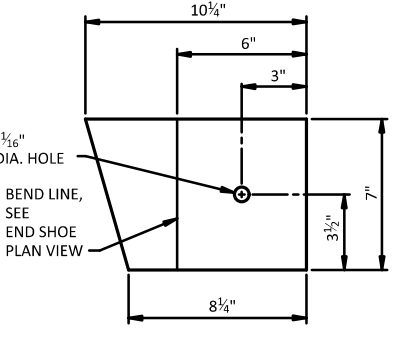
GENERAL ASSEMBLY DETAILS



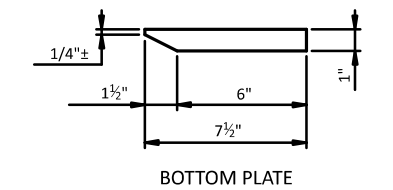
TOP PLATE



RUB RAIL STRAIGHT SECTION  
NON-STANDARD RUB RAIL LENGTH

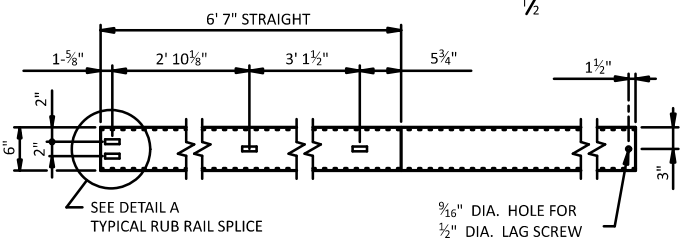


FRONT PLATE

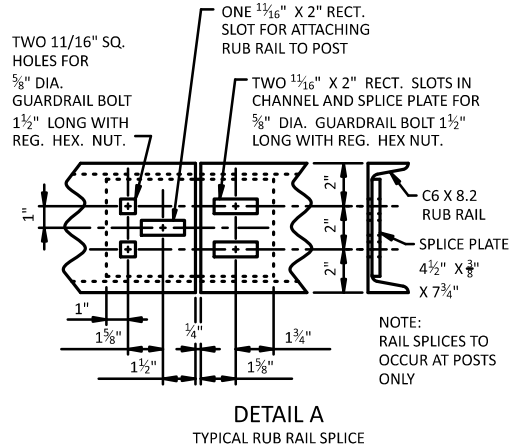


BOTTOM PLATE

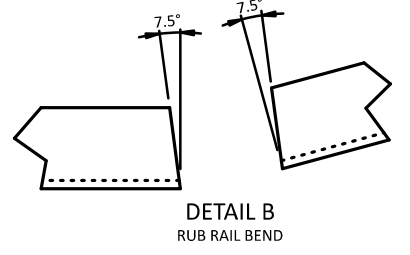
END SHOE PLATE DETAILS (1/4" PLATE)



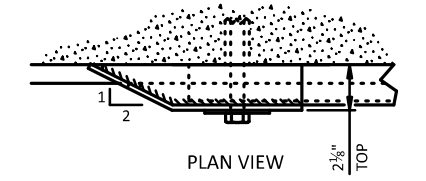
RUB RAIL BENT SECTION  
NON-STANDARD RUB RAIL LENGTH



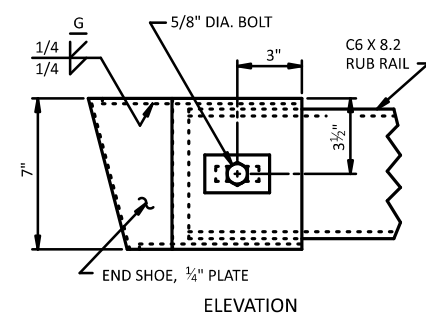
DETAIL A  
TYPICAL RUB RAIL SPLICE



DETAIL B  
RUB RAIL BEND

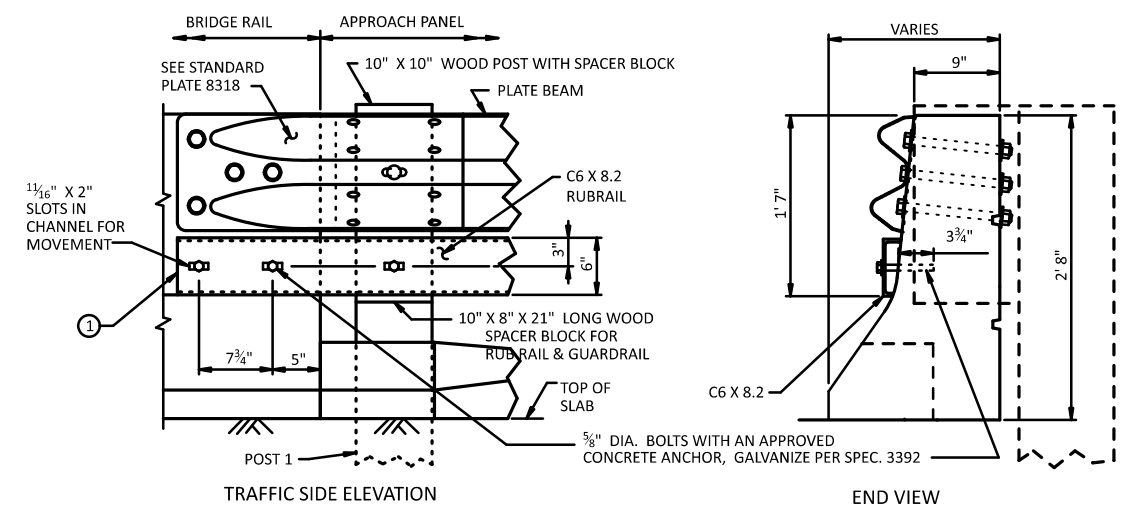


PLAN VIEW



ELEVATION

RUB RAIL END SHOE ASSEMBLY  
(USE IF TWO WAY TRAFFIC WITH NO MEDIAN)



TRAFFIC SIDE ELEVATION

END VIEW

RAIL ATTACHMENT DETAIL

POST, SPACER BLOCK & BOLT TABLE		
DESCRIPTION	POST NO.	SIZE
POST	1 & 2	10" X 10" X 8' 0" MIN. LONG
	3 - 5	6" X 8" X 7' 0" MIN. LONG
	6 - 12	6" X 8" X 6' 0" MIN. LONG
SPACER BLOCK	1 - 2	10" X 8" X 21"
	3 - 9	6" X 8" X 21"
	10 - 12	6" X 8" X 14"
GUARDRAIL BOLT & RECESSED NUT	1 - 2	5/8" DIA. X 20" - GUARDRAIL
	3 - 12	5/8" DIA. X 18" - GUARDRAIL
	1 - 2	5/8" DIA. X 22" - RUB RAIL
3 - 9	5/8" DIA. X 20" - RUB RAIL	

**NOTES:**  
 STRUCTURAL STEEL TO BE 3306, EXCEPT AS NOTED.  
 ALL SLOTTED HOLES ARE 1 1/16" X 2".  
 ALL SQUARE HOLES ARE 1 1/16".  
 RUB RAIL IS C6 X 8.2  
 GALVANIZE STRUCTURAL SHAPES PER SPEC. 3394 AFTER FABRICATION, EXCEPT AS NOTED.  
 MATERIALS AND CONSTRUCTION PER SPEC. 2554, EXCEPT AS NOTED.  
 GALVANIZE ALL HARDWARE PER SPEC. 3392.

- ① END SHOE REQUIRED IF TWO WAY TRAFFIC AND NO MEDIAN.
- ② ADDITIONAL BLOCKING MAY BE REQUIRED AT POST NO. 1 OR 10.
- ③ GUARDRAIL CENTERLINE HEIGHT IS 2' 2" FROM 0' TO 12' 6" FROM BRIDGE. HEIGHT TRANSITIONS FROM 2' 2" TO 1' 10" BETWEEN 12' 6" AND 37' 6" FROM BRIDGE.

TRAFFIC BARRIER DESIGN SPECIAL