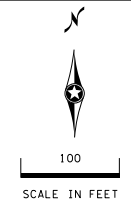


PLOTTED/REVISED: 30-SEP-2020

I/PLOT NAME: 18205-146.ltr.AB  
 PATH & FILENAME: Projects\DM\_ROMS\06\8205\0001\Traffic\Lighting\18205-146.ltr.AB.dgn

FEEDPOINT 82P3  
 LIGHTING UNIT LOCATION AND TYPE

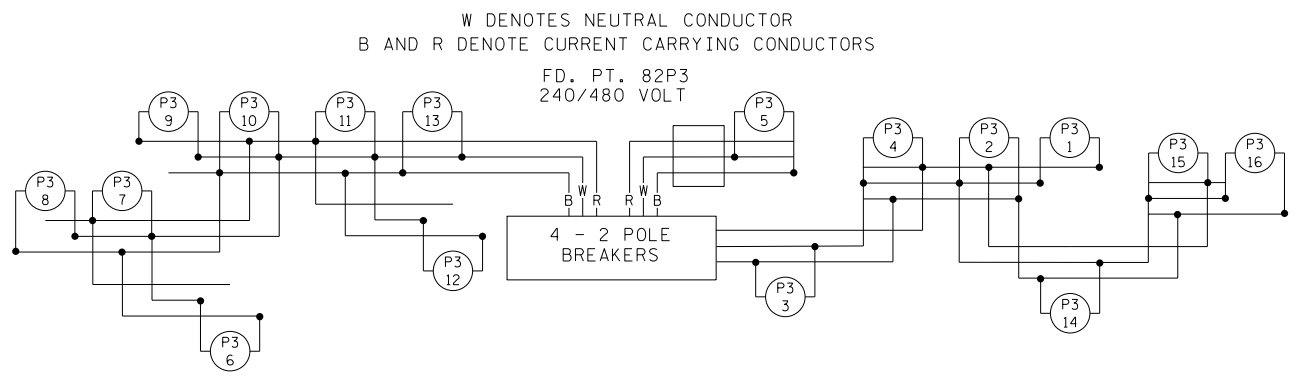
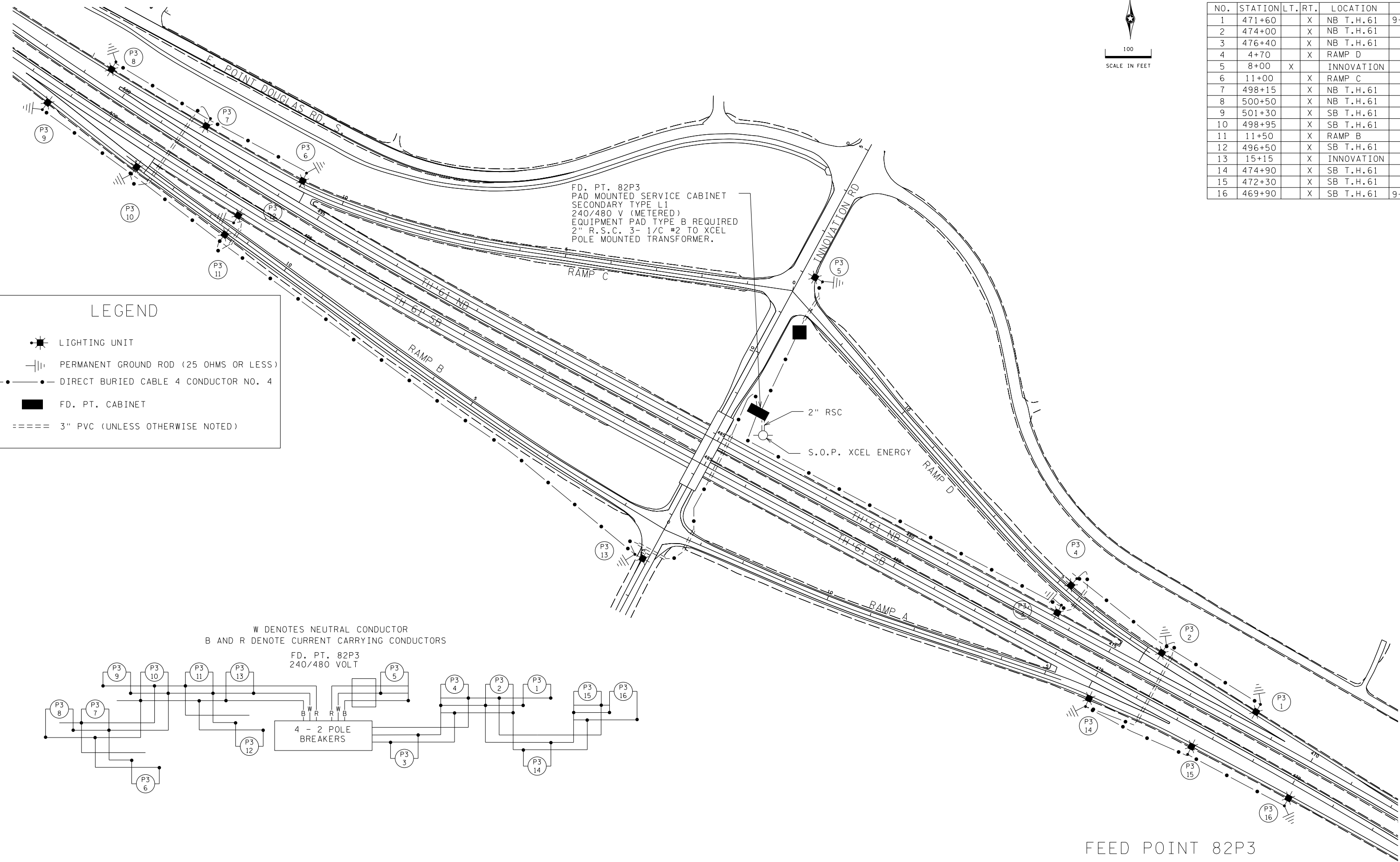
NO.	STATION	LT.	RT.	LOCATION	TYPE
1	471+60	X		NB T.H.61	9-40 LED
2	474+00	X		NB T.H.61	
3	476+40	X		NB T.H.61	
4	4+70		X	RAMP D	
5	8+00	X		INNOVATION	
6	11+00	X		RAMP C	
7	498+15	X		NB T.H.61	
8	500+50	X		NB T.H.61	
9	501+30	X		SB T.H.61	
10	498+95	X		SB T.H.61	
11	11+50	X		RAMP B	
12	496+50	X		SB T.H.61	
13	15+15	X		INNOVATION	
14	474+90	X		SB T.H.61	
15	472+30	X		SB T.H.61	
16	469+90	X		SB T.H.61	9-40 LED



FD. PT. 82P3  
 PAD MOUNTED SERVICE CABINET  
 SECONDARY TYPE L1  
 240/480 V (METERED)  
 EQUIPMENT PAD TYPE B REQUIRED  
 2" R.S.C. 3- 1/C #2 TO XCEL  
 POLE MOUNTED TRANSFORMER.

**LEGEND**

- LIGHTING UNIT
- PERMANENT GROUND ROD (25 OHMS OR LESS)
- DIRECT BURIED CABLE 4 CONDUCTOR NO. 4
- FD. PT. CABINET
- 3" PVC (UNLESS OTHERWISE NOTED)



FEED POINT 82P3

BY	DATE	REVISIONS
	9/30/20	FIELD AS-BUILT CHANGES BY JDP
DRAWN BY:	SJK	CKD BY: PB
		DATE: DEC 2015

FEEDPOINT: 82P3      LOCATION: US61 AT CSAH 19/(INNOVATION RD)  
 METER ADDRESS: 9950 INNOVATION RD, COTTAGE GROVE, 55016

CERTIFIED BY *Michael P. Lubensky* LIC. NO. 19863      DATE: 30-SEP-2020  
LICENSED PROFESSIONAL ENGINEER

**LIGHTING PLAN**

STATE PROJ. NO. 8205-146 (T.H. 61)      SHEET NO. 4 OF 5 SHEETS