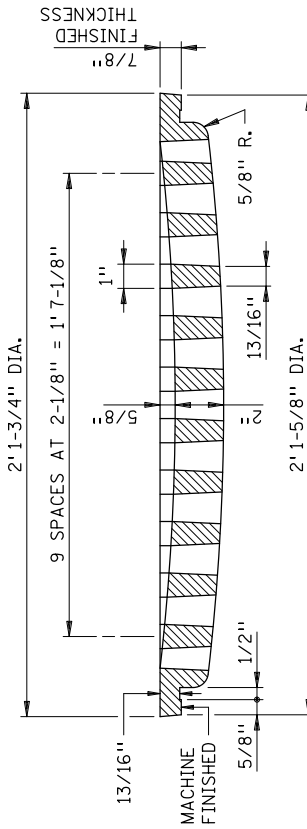
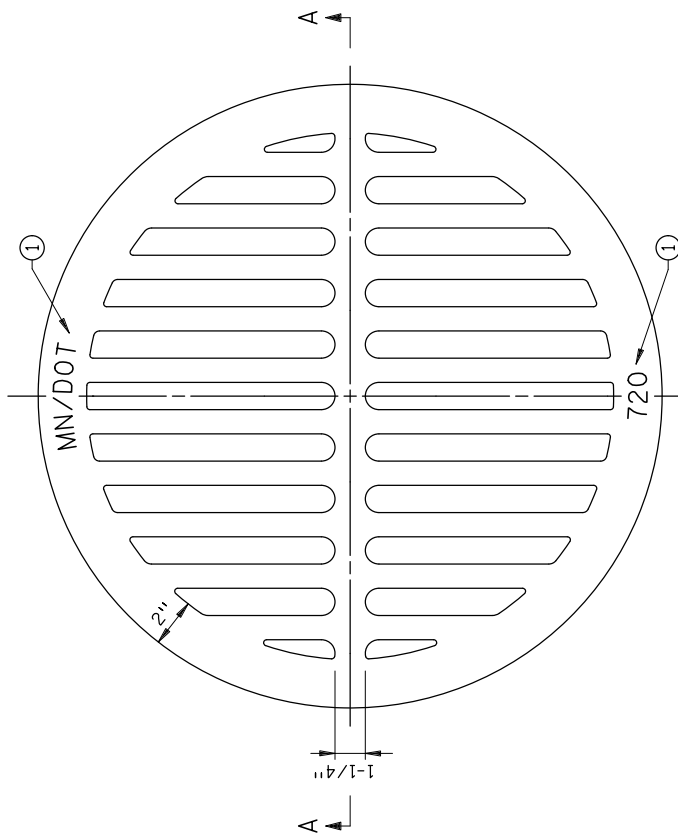


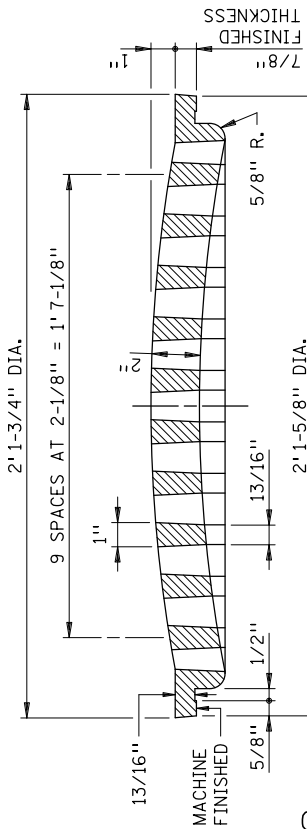
TOP VIEW  
CASTING NO. 721



SECTION A-A  
CONCAVE



TOP VIEW  
CASTING NO. 720



SECTION A-A  
CONVEX

① LETTERS (MN/DOT) AND NUMERALS (720 & 721) SHALL BE 3/4 INCHES IN HEIGHT AND DEPRESSED 1/8 INCHES.

NOTES:  
THESE GRATES SHALL BE USED WITH RING CASTING NO. 700-4 TO 700-10.

CASTING NO. 720  
CASTING NO. 721

APPROVED Oct. 1, 1966  
*W. A. Ebern*  
ASSISTANT COMMISSIONER  
ENGINEERING STANDARDS

STATE OF MINNESOTA  
DEPARTMENT OF TRANSPORTATION  
SPECIAL GRATE CASTINGS  
FOR CATCH BASIN  
CONVEX AND CONCAVE

SPECIFICATION  
REFERENCE  
2506  
REVISED  
9-13-2016 M.J.E.

STANDARD  
PLATE  
NO.  
4140D