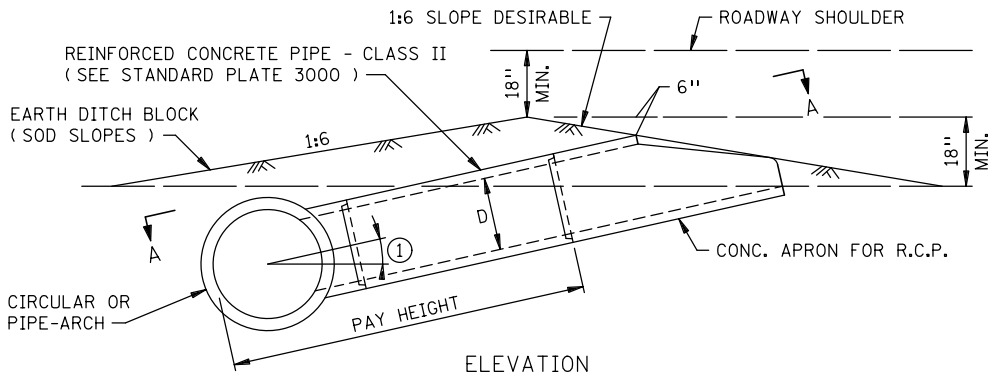
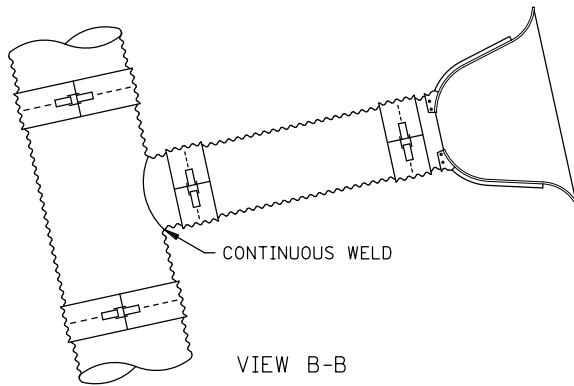


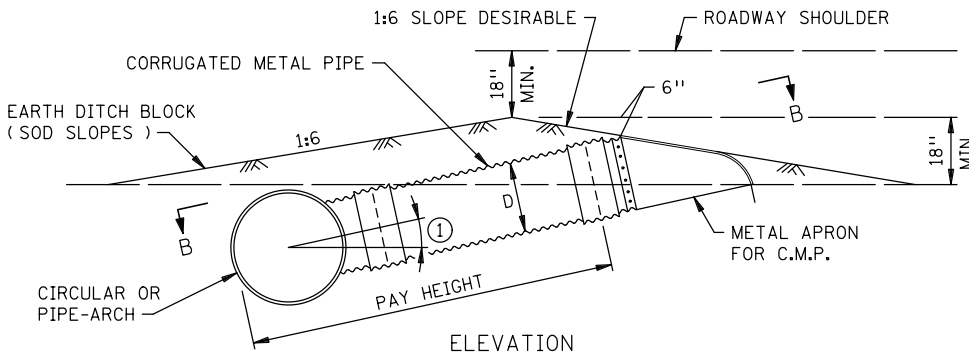
VIEW A-A



ELEVATION
REINFORCED CONCRETE PIPE
DESIGN PC



VIEW B-B



ELEVATION
CORRUGATED METAL PIPE
DESIGN PM

- NOTES:
INSIDE DIAMETER OF CATCH BASIN WILL BE INDICATED IN THE PAY ITEM.
FOR USE PRINCIPALLY FOR MEDIAN DRAINAGE.
① ANGLE WILL BE SHOWN IN PLAN FOR ARCH PIPE.

DESIGN PC
DESIGN PM

APPROVED Oct. 1, 1967
W. J. Ebern
ASSISTANT COMMISSIONER
ENGINEERING STANDARDS

STATE OF MINNESOTA
DEPARTMENT OF TRANSPORTATION
CATCH BASIN
CONCRETE PIPE AND METAL PIPE

SPECIFICATION
REFERENCE
2506
REVISED
9-13-2016 M.J.E.

STANDARD
PLATE
NO.
4017C