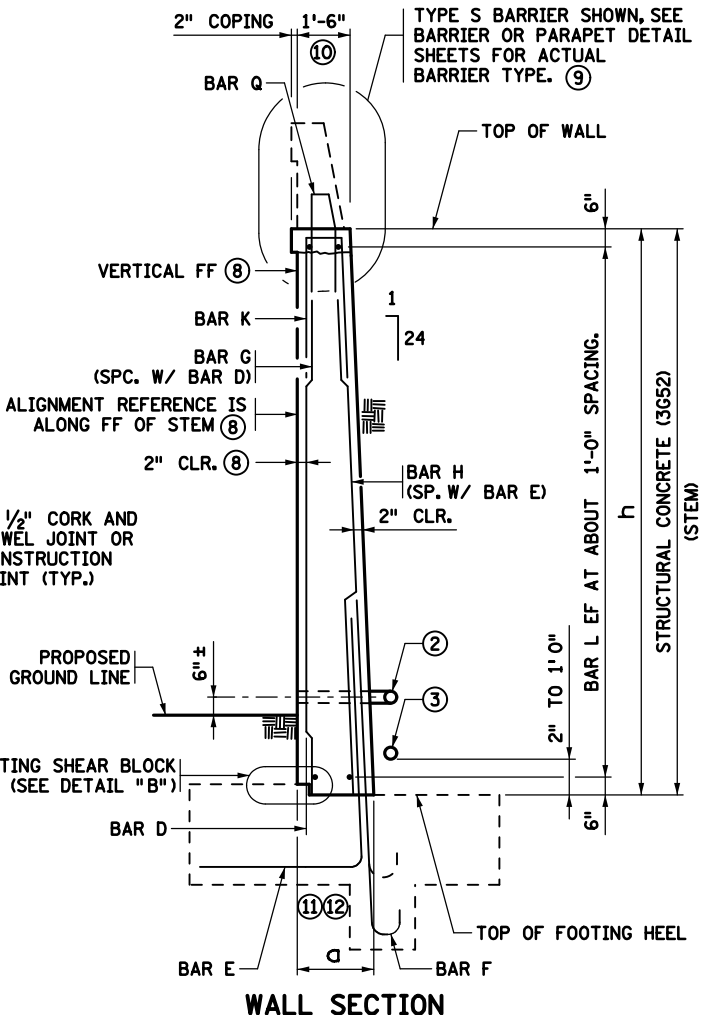
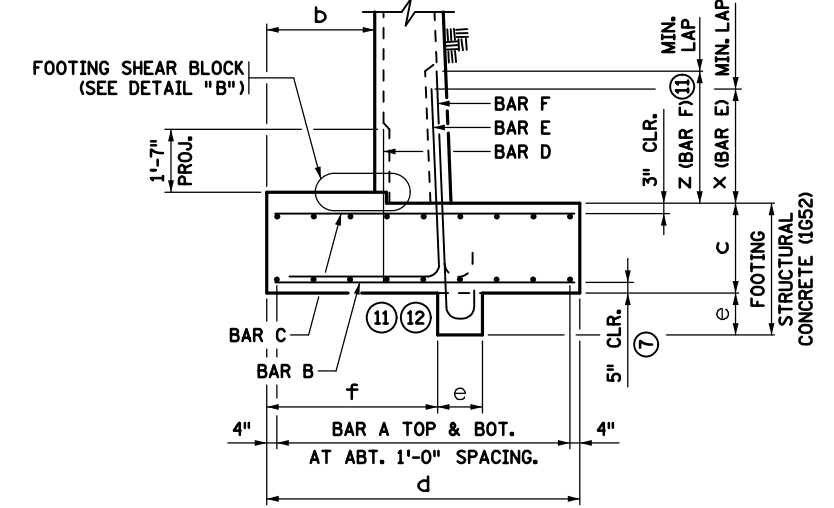
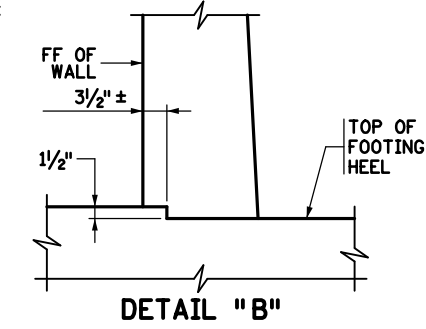


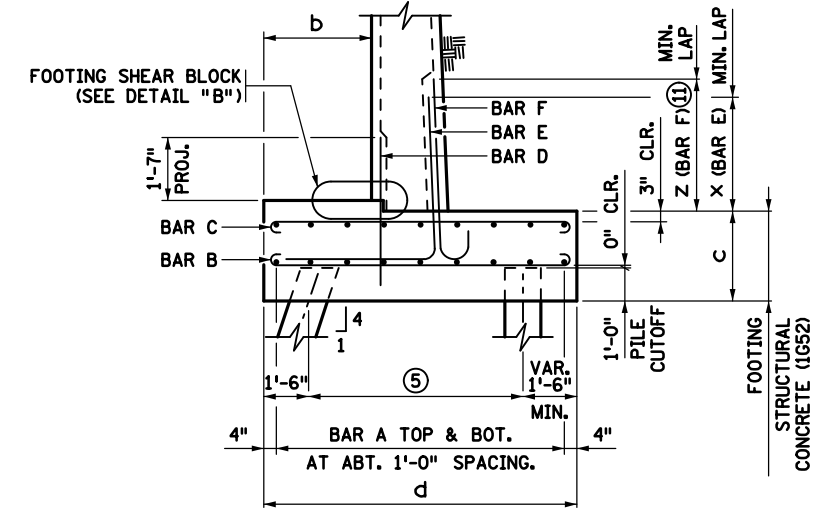
LEAD EXPERT OFFICE
 NANCY DAUBENBERGER
 STATE BRIDGE ENGINEER



WALL SECTION
 (F BARRIER AND 2" COPING OPTION SHOWN)



TYPICAL SECTION THROUGH SPREAD FOOTING



TYPICAL SECTION THROUGH PILE FOOTING

NOTES:

- REFER TO RETAINING WALL PANEL TABULATIONS FOR DIMENSIONS "a" THROUGH "x".
- STEM REINFORCEMENT IS TO BE SYMMETRICALLY/EQUALLY SPACED BETWEEN STEM JOINTS.
- FOOTING REINFORCEMENT SYMMETRICAL ABOUT STEM JOINT ABOVE UNLESS OTHERWISE NOTED. SEE RETAINING WALL TABLES FOR PILE SPACING AND LAYOUT.
- BF DENOTES BACK FACE.
- FF DENOTES FRONT FACE.
- EF DENOTES EACH FACE.
- ① STRAIGHT LINE BETWEEN ELEVATIONS SHOWN ON WALL ELEVATION (EXCEPT FOR STEPPED CONDITIONS). IF A BARRIER OR PARAPET IS NOT USED, TOPS OF RETAINING WALL COULD BE USED.
- ② TYPE I DRAINAGE. SEE SECTION A-A ON STANDARD PLAN 5-297.624 (5 OF 6).
- ③ TYPE II DRAINAGE. SEE SECTION B-B ON STANDARD PLAN 5-297.624 (5 OF 6).
- ④ SEE STANDARD PLAN 5-297.624 (1 OF 6).
- ⑤ SEE GENERAL PLAN FOR PILE SPACING.
- ⑥ AT THE CONTRACTOR'S OPTION, PANEL LENGTH MAY VARY UP TO ± 1'-0". BAR CUTTING LISTS SHALL BE REVISED ACCORDINGLY BY THE CONTRACTOR.
- ⑦ 5" BOTTOM OF FOOTING CLEARANCE FOR ALL BARS EXCEPT BAR D. BAR D BOTTOM OF FOOTING CLEARANCE VARIES.
- ⑧ REFER TO DETAIL "C" AND NOTES ON STANDARD PLAN 5-297.624 (1 OF 6).
- ⑨ REBAR AND CONCRETE ARE INCLUDED IN THE PAY ITEM BY LINEAR FEET FOR THE BARRIER OR PARAPET.
- ⑩ WALL THICKNESS AT TOP OF STEM, NOT INCLUDING COPING. REFER TO STANDARD FIGURE 5-297.624 (1 OF 6) FOR MODIFIED TOP OF WALL THICKNESS WHEN USING TYPE S BARRIER.
- ⑪ THIS FEATURE MAY NOT BE PRESENT ON ALL MEDIUM HEIGHT WALLS.
- ⑫ CONTRACTOR MAY CONSTRUCT KEYWAY WITHOUT FORMS, AS APPROVED BY THE ENGINEER.

RETAINING WALL REINFORCEMENT DETAILS
 (MEDIUM WALLS)

APPROVED: 08-27-2014
 REVISED: 09-01-2016

Christopher Roy
 CHRISTOPHER ROY
 STATE DESIGN ENGINEER

STANDARD PLAN
 5-297.622

1 OF 1

STANDARD PLAN

STATE PROJ. NO. SHEET NO.
 TRUNK HWY. TOTAL SHEETS