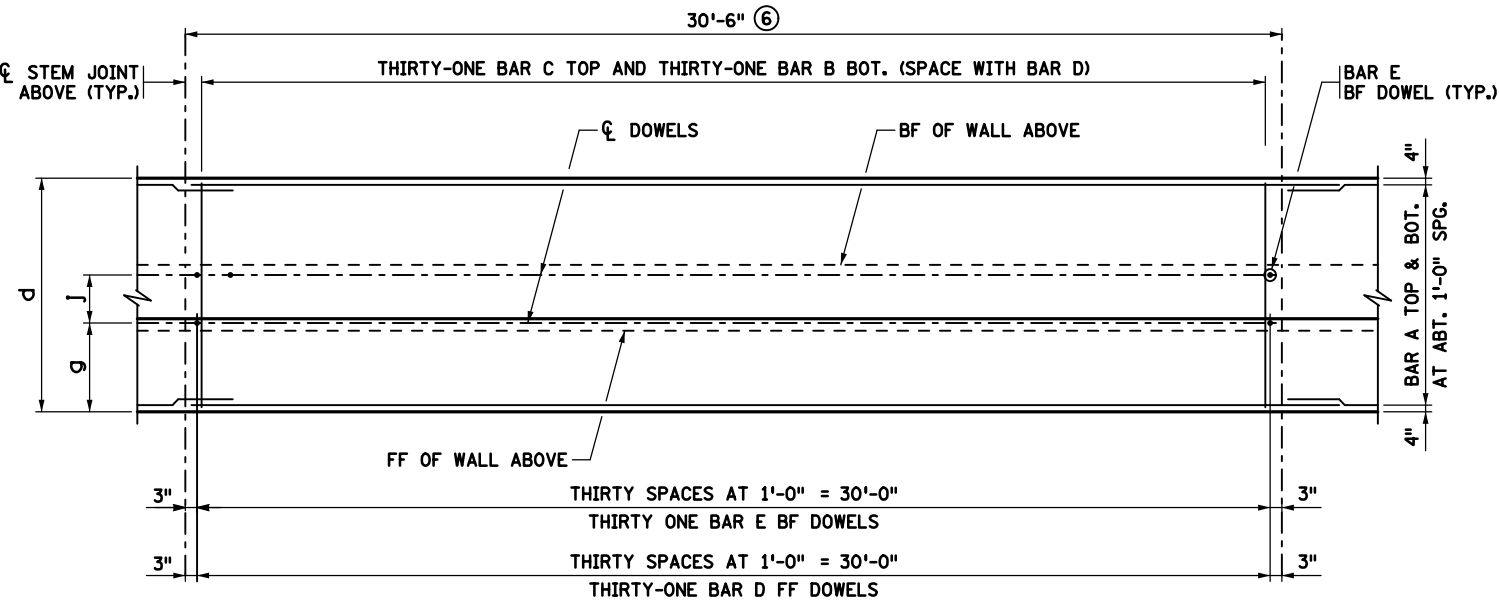
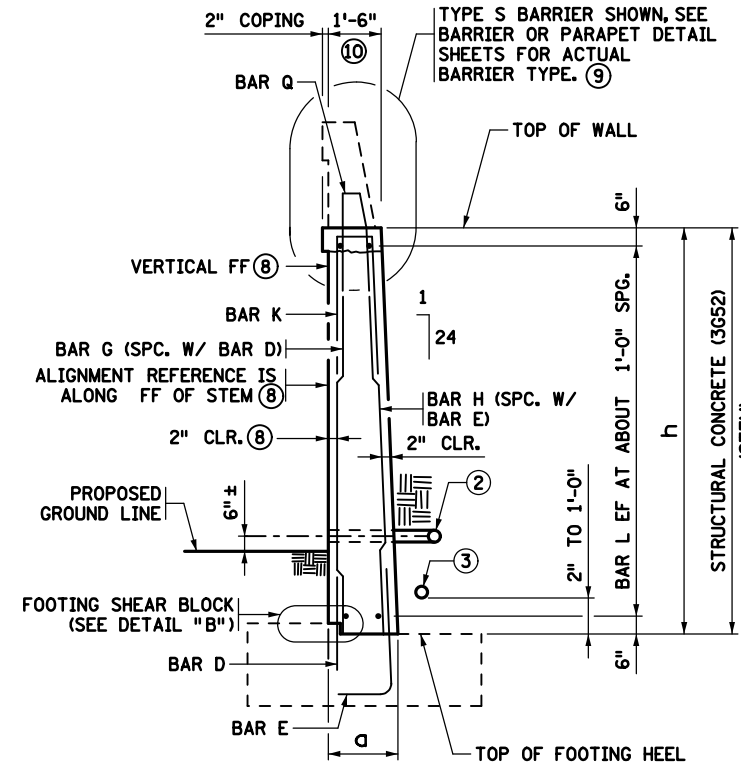


ELEVATION

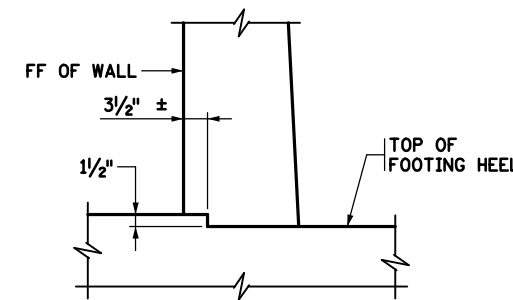


FOOTING PLAN ~ REINFORCEMENT

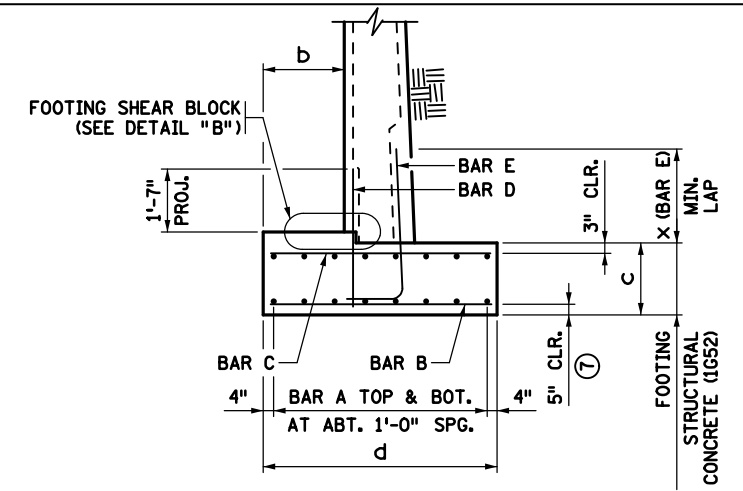


WALL SECTION

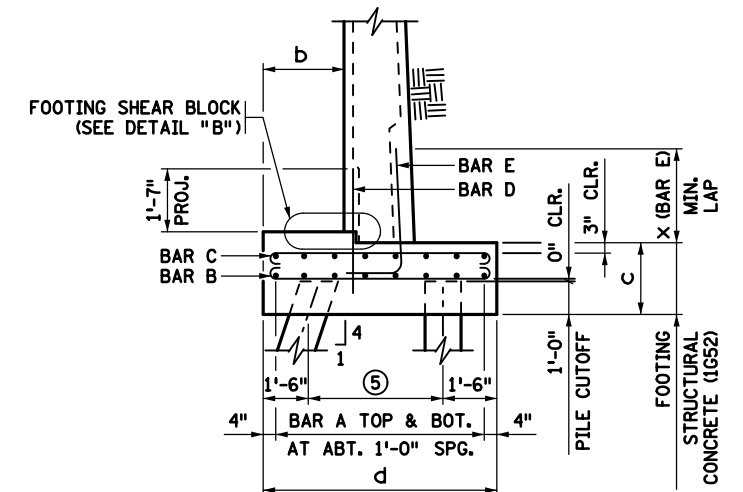
(F BARRIER AND 2" COPING OPTION SHOWN)



DETAIL "B"



TYPICAL SECTION THROUGH SPREAD FOOTING



TYPICAL SECTION THROUGH PILE FOOTING

NOTES:

- REFER TO RETAINING WALL PANEL TABULATIONS FOR DIMENSIONS "a" THROUGH "x".
- STEM REINFORCEMENT IS TO BE SYMMETRICALLY/EQUALLY SPACED BETWEEN STEM JOINTS.
- FOOTING REINFORCEMENT SYMMETRICAL ABOUT STEM JOINT ABOVE UNLESS OTHERWISE NOTED. SEE RETAINING WALL TABLES FOR PILE SPACING AND LAYOUT.
- BF DENOTES BACK FACE.
- FF DENOTES FRONT FACE.
- EF DENOTES EACH FACE.
- ① STRAIGHT LINE BETWEEN ELEVATIONS SHOWN ON WALL ELEVATION (EXCEPT FOR STEPPED CONDITIONS). IF A BARRIER OR PARAPET IS NOT USED, TOPS OF RETAINING WALL COULD BE USED.
- ② TYPE I DRAINAGE. SEE SECTION A-A ON STANDARD PLAN 5-297.624 (5 OF 6).
- ③ TYPE II DRAINAGE. SEE SECTION B-B ON STANDARD PLAN 5-297.624 (5 OF 6).
- ④ SEE STANDARD PLAN 5-297.624 (1 OF 6).
- ⑤ SEE GENERAL PLAN FOR PILE SPACING.
- ⑥ AT THE CONTRACTOR'S OPTION, PANEL LENGTH MAY VARY UP TO ± 1'-0". BAR CUTTING LISTS SHALL BE REVISED ACCORDINGLY BY THE CONTRACTOR.
- ⑦ 5" BOTTOM OF FOOTING CLEARANCE FOR ALL BARS EXCEPT BAR D. BAR D BOTTOM OF FOOTING CLEARANCE VARIES.
- ⑧ REFER TO DETAIL "C" AND NOTES ON STANDARD PLAN 5-297.624 (1 OF 6).
- ⑨ REBAR AND CONCRETE ARE INCLUDED IN THE PAY ITEM BY LINEAR FEET FOR THE BARRIER OR PARAPET.
- ⑩ WALL THICKNESS AT TOP OF STEM, NOT INCLUDING COPING. REFER TO STANDARD FIGURE 5-297.624 (1 OF 6) FOR MODIFIED TOP OF WALL THICKNESS WHEN USING TYPE S BARRIER.

LEAD EXPERT OFFICE NANCY DAUBENBERGER STATE BRIDGE ENGINEER		RETAINING WALL REINFORCEMENT DETAILS (SHORT WALLS)	APPROVED: 08-27-2014 REVISED: 09-01-2016 CHRISTOPHER ROY STATE DESIGN ENGINEER	STANDARD PLAN 5-297.621	1 OF 1
				STANDARD PLAN	STATE PROJ. NO. TRUNK HWY.