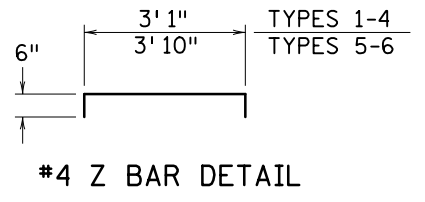
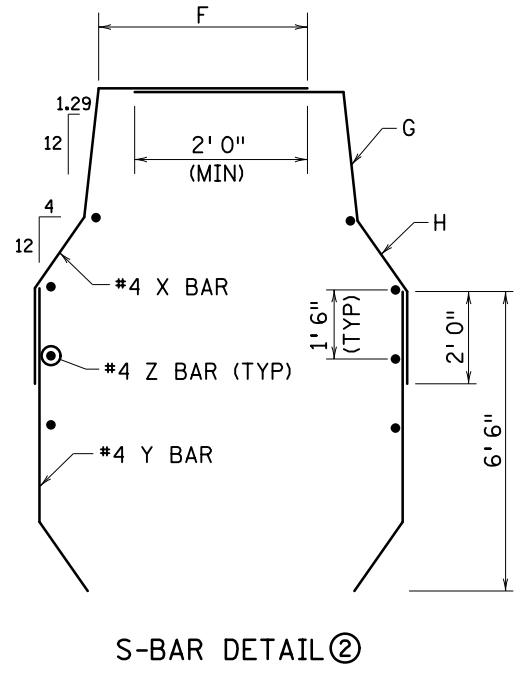
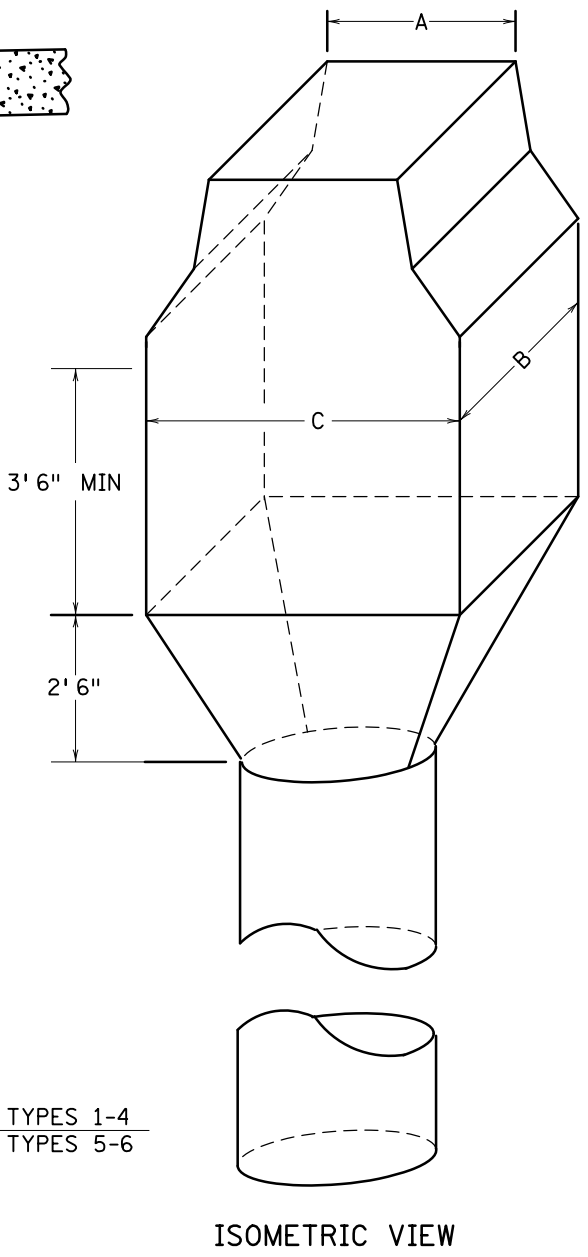


FOUNDATION DATA						
BARRIER TYPE	POST TYPE	FOOTING DIMENSIONS			CONCRETE QUANTITY	
		A	B	C	CU YD	⑤
F	1-4	3' 6"	3' 6"	4' 9"	10.8	0.7
	5-6	4' 3"	4' 3"	5' 6"	18.9	0.9
F GLARE	1-4	3' 6"	3' 6"	5' 2"	12.2	0.7
	5-6	4' 3"	4' 3"	5' 11"	21.8	1.0



S-BAR DATA								
BARRIER TYPE	POST TYPE	ADDITIONAL REINFORCEMENT ③	NO. OF BARS	LENGTH	DIMENSIONS			BAR SPACING
					F	G	H	
F	1-4	#4 X BAR	8	7' 6"	3' 0"	1' 6"	1' 0"	3 SPACES @ 12" = 3' 0"
		#4 Y BAR	8	6' 6"	—	—	—	④
		#4 Z BAR	8	4' 1"	—	—	—	④
	5-6	#4 X BAR	10	7' 6"	3' 0"	3' 6"	1' 0"	4 SPACES @ 11" = 3' 8"
		#4 Y BAR	10	6' 6"	—	—	—	④
		#4 Z BAR	8	4' 10"	—	—	—	④
F GLARE	1-4	#4 X BAR	8	9' 6"	3' 0"	1' 6"	1' 0"	3 SPACES @ 12" = 3' 0"
		#4 Y BAR	8	6' 6"	—	—	—	④
		#4 Z BAR	8	4' 1"	—	—	—	④
	5-6	#4 X BAR	10	9' 6"	3' 0"	3' 6"	1' 0"	4 SPACES @ 11" = 3' 8"
		#4 Y BAR	10	6' 6"	—	—	—	④
		#4 Z BAR	8	4' 10"	—	—	—	④

NOTES:
DESIGN D
 FOR DETAILS, REINFORCEMENT, AND SOIL PROPERTIES NOT SHOWN, SEE STANDARD PLAN 5-297.763.
 FOR MATERIALS, SEE STANDARD PLAN 5-297.761.
 FOR OTHER DETAILS NOT SHOWN, SEE STANDARD PLATES 8308 AND 8309.

INTERIM DESIGN B
 FOR SALVAGE AND INSTALL ON NEW MEDIAN BARRIER FOUNDATIONS, PROVIDE NEW ANCHOR ROD ASSEMBLY COMPATIBLE WITH INPLACE STRUCTURE.
 FOR MATERIAL PROPERTIES, SEE OVERHEAD SIGN SUPPORTS INTERIM DESIGN B DRAWING ST-1.
 FOR DETAILS AND REINFORCEMENT NOT SHOWN, SEE STANDARD OVERHEAD SIGN SUPPORTS INTERIM DESIGN B DRAWING ST-3.
 FOR OTHER DETAILS NOT SHOWN, SEE STANDARD PLATES 8308 AND 8309.

DESIGN B
 FOR SALVAGE AND INSTALL ON NEW MEDIAN BARRIER FOUNDATIONS, PROVIDE NEW ANCHOR ROD ASSEMBLY COMPATIBLE WITH INPLACE STRUCTURE.
 FOR MATERIAL PROPERTIES, SEE OVERHEAD SIGN SUPPORTS DESIGN B DRAWINGS ST-1.
 FOR DETAILS AND REINFORCEMENT NOT SHOWN, SEE STANDARD OVERHEAD SIGN SUPPORTS DESIGN B DRAWING ST-3.
 FOR OTHER DETAILS NOT SHOWN, SEE STANDARD PLATES 8308 AND 8309.

- ① 1/2" BITUMINOUS FELT JOINT IF ADJACENT PAVEMENT IS CONCRETE.
- ② #4 S-BARS PLACED SYMMETRICAL ABOUT THE CENTERLINE OF THE POST, BEND IN THE FIELD TO FIT. ADJUST SPACING AS REQUIRED TO AVOID INTERFERENCE WITH EMBEDDED ITEMS. PROVIDE 2" MINIMUM CLEAR TO ANCHOR RODS.
- ③ ALL REINFORCEMENT TO BE EPOXY COATED IN ACCORDANCE WITH SPEC. 3301.
- ④ 3 SPACES @ 1' 6" = 4' 6".
- ⑤ WHEN PAVEMENT ELEVATIONS DIFFER ON EACH SIDE OF THE BARRIER, THIS ADDITIONAL CONCRETE QUANTITY (CUBIC YARDS) IS NECESSARY PER VERTICAL FOOT OF DIFFERENCE.