

TYPICAL INTERMEDIATE ANCHORAGE ASSEMBLY

- NOTES:
- THE FOLLOWING CRITERIA SHALL APPLY TO CABLE SYSTEMS.
- ON TANGENTS AND ON THE OUTSIDE OF HORIZONTAL CURVES:
- FOR INDIVIDUAL CABLE RUNS:
- UP TO 1,000 FEET, USE A TURNBUCKLE ON ONE END OF THE RUN AND A COMPENSATING DEVICE ON THE OTHER END.
 - FROM 1,000 TO 2,000 FEET, USE A COMPENSATING DEVICE ON BOTH ENDS OF THE RUN.
 - OVER 2,000 FEET IN LENGTH, USE INTERMEDIATE ANCHORS. THE ANCHORS SHALL BE EQUALLY SPACED AT INTERVALS NOT TO EXCEED 2,000 FEET.
- DO NOT USE CABLE GUARDRAIL ON THE INSIDE OF CURVES GREATER THAN 4°.
- ON THE INSIDE OF HORIZONTAL CURVES 4° OR FLATTER, A COMPENSATING DEVICE SHOULD BE USED ON ONE END OF EACH CABLE RUN AND A TURNBUCKLE ON THE OTHER END WITH INTERMEDIATE ANCHORS SPACED AT INTERVALS NOT TO EXCEED:
- | DEGREE OF CURVE | DISTANCE BETWEEN INTERMEDIATE ANCHORS |
|-----------------|---------------------------------------|
| 4° | 150 FT. |
| 3° | 175 FT. |
| 2° | 215 FT. |
| 1° | 300 FT. |
| 30 MINUTES | 430 FT. |
| 15 MINUTES | 600 FT. |
- FOR INTERMEDIATE HORIZONTAL CURVES, INTERPOLATE BETWEEN VALUES LISTED ABOVE.
- SEE STANDARD PLATE 8333 (SHEET 4), DETAIL "A", STEEL TURNBUCKLE CABLE END ASSEMBLY AND DETAIL "B", SPRING CABLE END ASSEMBLY (COMPENSATING DEVICE).
- ① ALL LINE POSTS ARE 5-1/2" DIA. (4-3/4" TO 6-1/4") X 6' 0" TREATED WOOD. FOR HARDWARE DETAILS SEE SHEET 2. POSTS MAY BE DOMED OR STRAIGHT CUT, HOWEVER, DO NOT MIX TYPES IN A SINGLE RUN OF GUARDRAIL.
- ② SNOW PLOW MARKER (X4-5) WITH A 2 LB. / FT. DELINEATOR POST 8 FT. LONG (SPEC. 3401) DRIVEN INTO GROUND, EXTEND 3 FT. ABOVE TERMINAL. SNOW PLOW MARKER MUST GO AT BOTH BEGINNING AND END OF GUARDRAIL SYSTEM.
- ③ CABLE SPACING TRANSITIONS FROM STEEL POST TO WOOD POST SPACING BETWEEN ANCHOR POST AND FIRST LINE POST.
- ④ SEE 3-CABLE GUARDRAIL ANCHOR ON STANDARD PLATE 8333 FOR ANCHOR POST DETAIL.

APPROVED OCTOBER 1, 2002

Delbert W. Sardes

STATE DESIGN ENGINEER

STATE OF MINNESOTA
DEPARTMENT OF TRANSPORTATION

3-CABLE GUARDRAIL
WITH WOOD POSTS
(ASSEMBLY DETAILS)

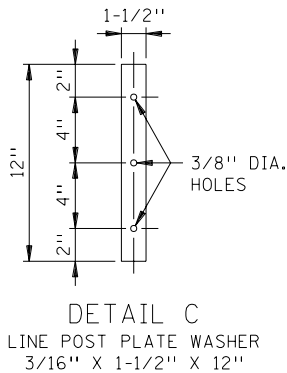
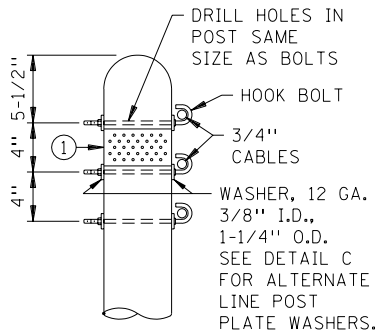
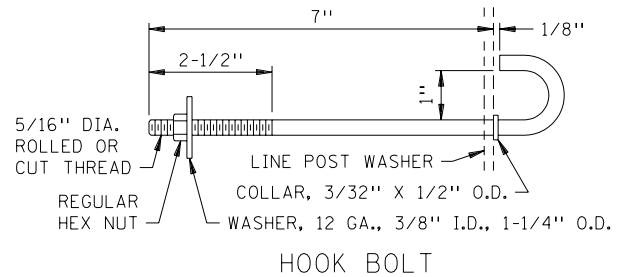
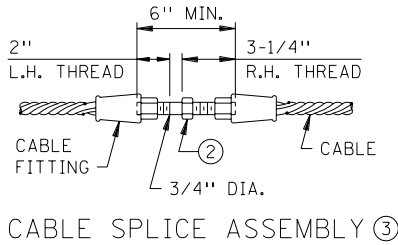
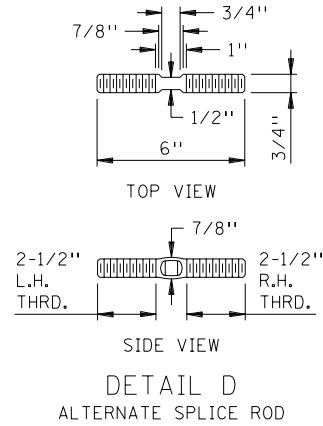
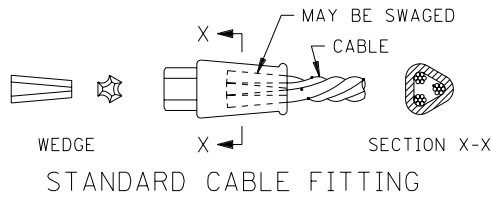
SPECIFICATION REFERENCE

2554
3381
3412

STANDARD PLATE NO.

8330G

1 OF 2



NOTES:

- ① 3" WIDE REFLECTIVE SHEETING, MATCHING THE COLOR OF THE EDGELINE, MEETING REQUIREMENTS OF STANDARD NO. 2 (SPEC. 3352.2A2b) AND WITH A SEMI-RIGID ALUMINUM BACKING (0.005" - 0.01" THICK), HAVING A PRECOATED AGGRESSIVE TACK CLASS 1 ADHESIVE (OR APPROVED EQUAL). REFLECTIVE SHEETING SHALL BE AFFIXED CIRCUMFERENTIALLY ON EACH END POST AND ON EVERY FOURTH INTERVENING POST.
- ② SQUARE NUT OR REGULAR HEX NUT RUN ON TO MAX. OF R.H. THREAD AND SPOT WELDED 4 SPOTS 90° APART ON BOTH SIDES OF NUT (SEE DETAIL D FOR ALTERNATE SPLICE ROD).
- ③ STAGGER CABLE SPLICES. PROVIDE A MINIMUM OF (20 FT.) BETWEEN ANY PAIR. PROVIDE A MINIMUM OF (100 FT.) BETWEEN CABLE SPLICES ON THE SAME CABLE.

APPROVED OCTOBER 1, 2002

Delbert W. Jones
STATE DESIGN ENGINEER

STATE OF MINNESOTA
DEPARTMENT OF TRANSPORTATION
3-CABLE GUARDRAIL
WITH WOOD POSTS
(DETAILS)

SPECIFICATION REFERENCE

2554

REVISION DATE
6-04-04

STANDARD PLATE NO.

8330G

2 OF 2