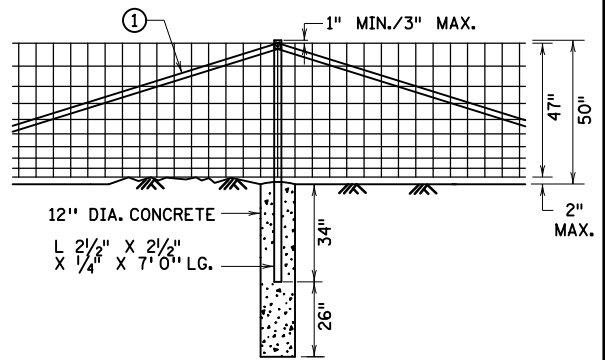
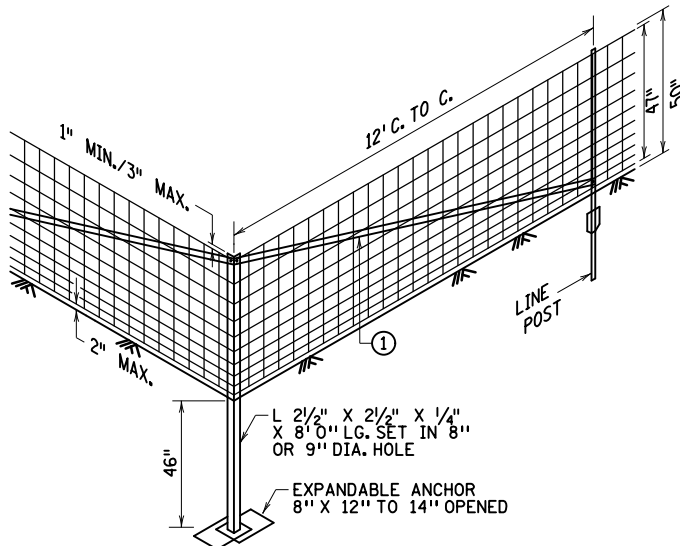


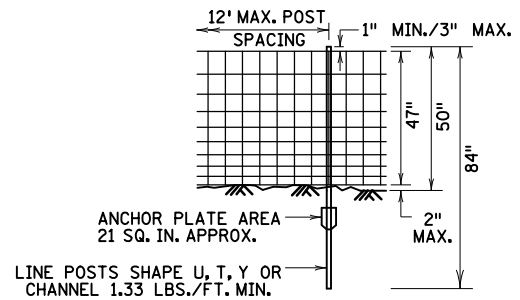
PULL POST
EARTH SET



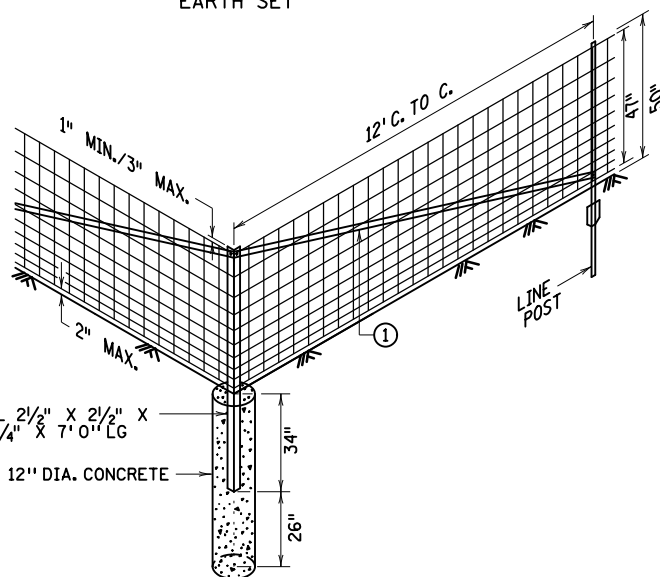
PULL POST
CONCRETE SET (660' INTERVAL MAX.)



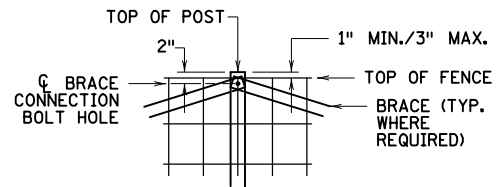
CORNER POST
EARTH SET



LINE POST



CORNER POST
CONCRETE SET



TOP OF POST DETAIL
(CORNER POST, PULL POST, GATE POSTS)

NOTES:

WOVEN WIRE FARM FENCE DESIGN 1047-6-11, COATING TYPE A OR TYPE Z CLASS 3.

FENCING PLACED TIGHT TO GROUND WITH MAXIMUM 2" ALLOWED AT UNEVEN TERRAIN.

TOP AND BOTTOM WIRE SHALL BE CLAMPED TO EVERY POST. CLAMP EVERY OTHER WIRE ALTERNATING ON SUCCESSIVE POSTS.

USE CONCRETE MIX 3G52 FOR FENCE POST FOOTINGS.

ELECTRICAL GROUNDS IN ACCORDANCE WITH SPEC. 2557.

① L 2" X 2" X 1/4" X 12' 10" LG. BRACE (TYPICAL). TOP CONNECTION 2" BELOW TOP OF POST.

APPROVED 02-28-2022

Rom S. Jha
STATE DESIGN ENGINEER

DEPARTMENT OF TRANSPORTATION
WOVEN WIRE FENCE
STEEL POST

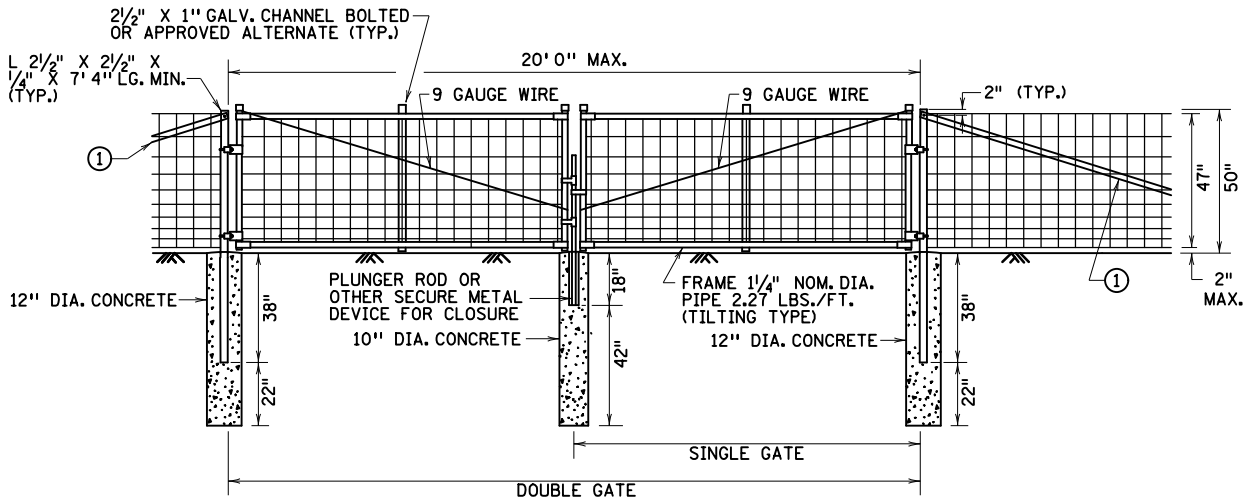
SPECIFICATION
REFERENCE

2557

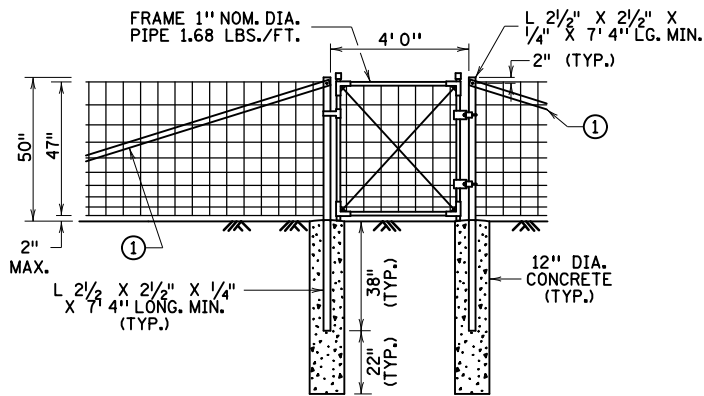
STANDARD
PLATE
NO.

9321F

1 OF 2



VEHICULAR GATE



PEDESTRIAN GATE

NOTES:

WOVEN WIRE FARM FENCE DESIGN 1047-6-11, COATING TYPE A OR TYPE Z CLASS 3.

FENCING PLACED TIGHT TO GROUND WITH MAXIMUM 2" ALLOWED AT UNEVEN TERRAIN.

TOP AND BOTTOM WIRE SHALL BE CLAMPED TO EVERY POST. CLAMP EVERY OTHER WIRE ALTERNATING ON SUCCESSIVE POSTS.

USE CONCRETE MIX 3G52 FOR FENCE POST FOOTINGS.

ELECTRICAL GROUNDS IN ACCORDANCE WITH SPEC. 2557.

① L 2" X 2" X 1/4" X 12' 10" LG. BRACE (TYPICAL). TOP CONNECTION 2" BELOW TOP OF POST.

APPROVED 02-28-2022

Rom S. [Signature]
STATE DESIGN ENGINEER

DEPARTMENT OF TRANSPORTATION
WOVEN WIRE FENCE
STEEL POST

SPECIFICATION REFERENCE

2557

STANDARD PLATE NO.

9321F

2 OF 2