

**MATERIAL**

DISKS SHALL BE OF ALUMINUM OR BRONZE ALLOY.

**REMOVABLE TYPE DISK**

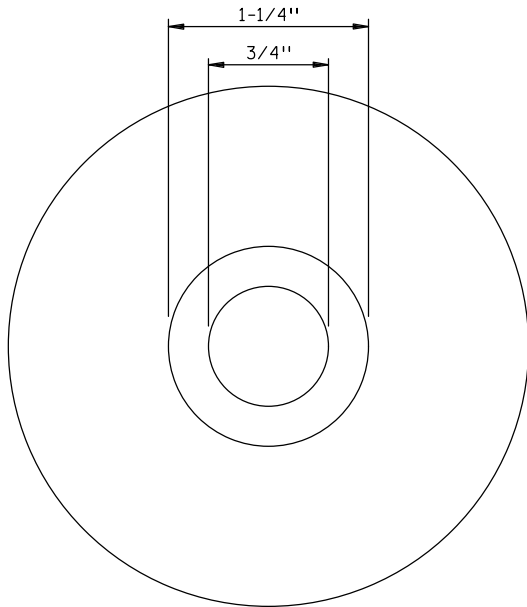
THE DISK SHALL HAVE A HOLLOW CENTER ALLOWING IT TO FIT FREELY OVER A 3/4" ROD. THE DISK SHALL BE DESIGNED SUCH THAT NO PERMANENT CONNECTION WILL BE MADE TO THE ROD.

**LEGEND**

THE LEGEND SHALL BE PRESSED INTO THE UPPER SURFACE OF THE DISK IN SUCH A MANNER THAT THERE IS NO RAISING OF THE ADJACENT SURFACES. ALL LETTERS SHALL BE APPROXIMATELY 3/16" HIGH. THE DEPTH OF ALL LETTERS SHALL BE APPROXIMATELY 1/32" DEEP WITH A "U" SHAPED CROSS SECTION.

NO LETTER SHALL FIT CLOSER TO THE OUTER RIM OF THE DISK THAN 1/16". ALL LETTERS MUST LIE ALONG A RADIUS. THE LEGEND MUST BE CENTRALLY LOCATED.

FOR IDENTIFICATION, GEODETIC SURVEY DISKS SHALL BE HAND STAMPED IN THE FIELD USING 3/16" DIES ACCORDING TO PROCEDURES OUTLINED IN THE SURVEYING AND MAPPING MANUAL.



VIEW A-A



VIEW B-B

APPROVED OCTOBER 14, 2015

*Christy M. Ry*  
STATE DESIGN ENGINEER

STATE OF MINNESOTA  
DEPARTMENT OF TRANSPORTATION

GEODETIC SURVEY DISKS  
REMOVABLE TYPE DISK

SPECIFICATION  
REFERENCE

STANDARD  
PLATE  
NO.

9304A