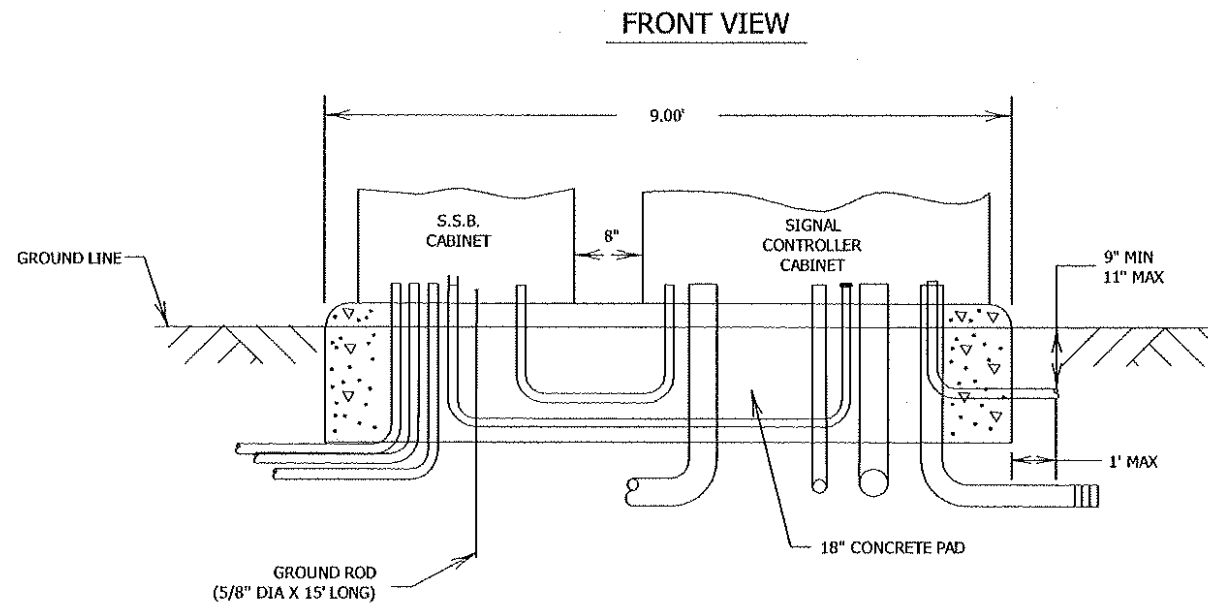
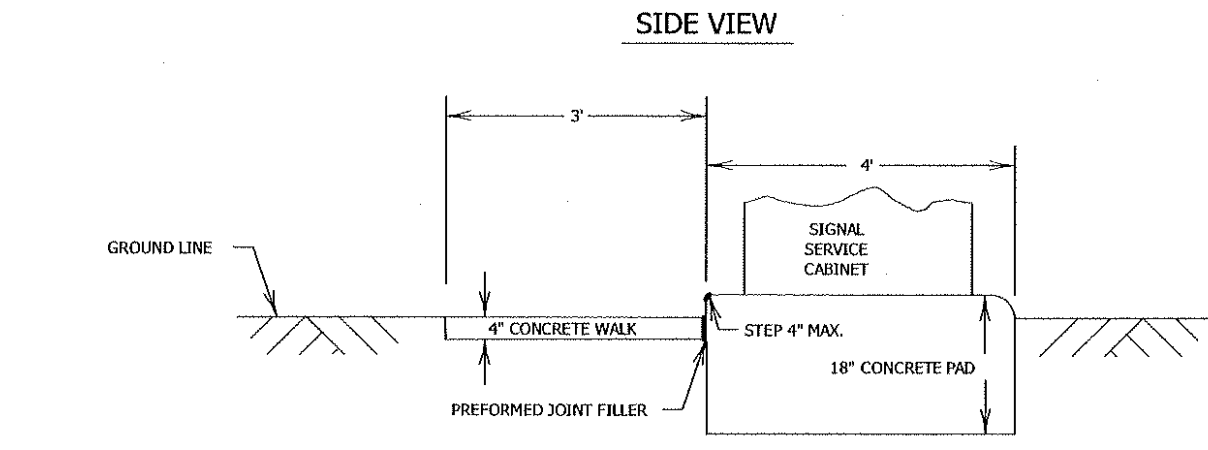
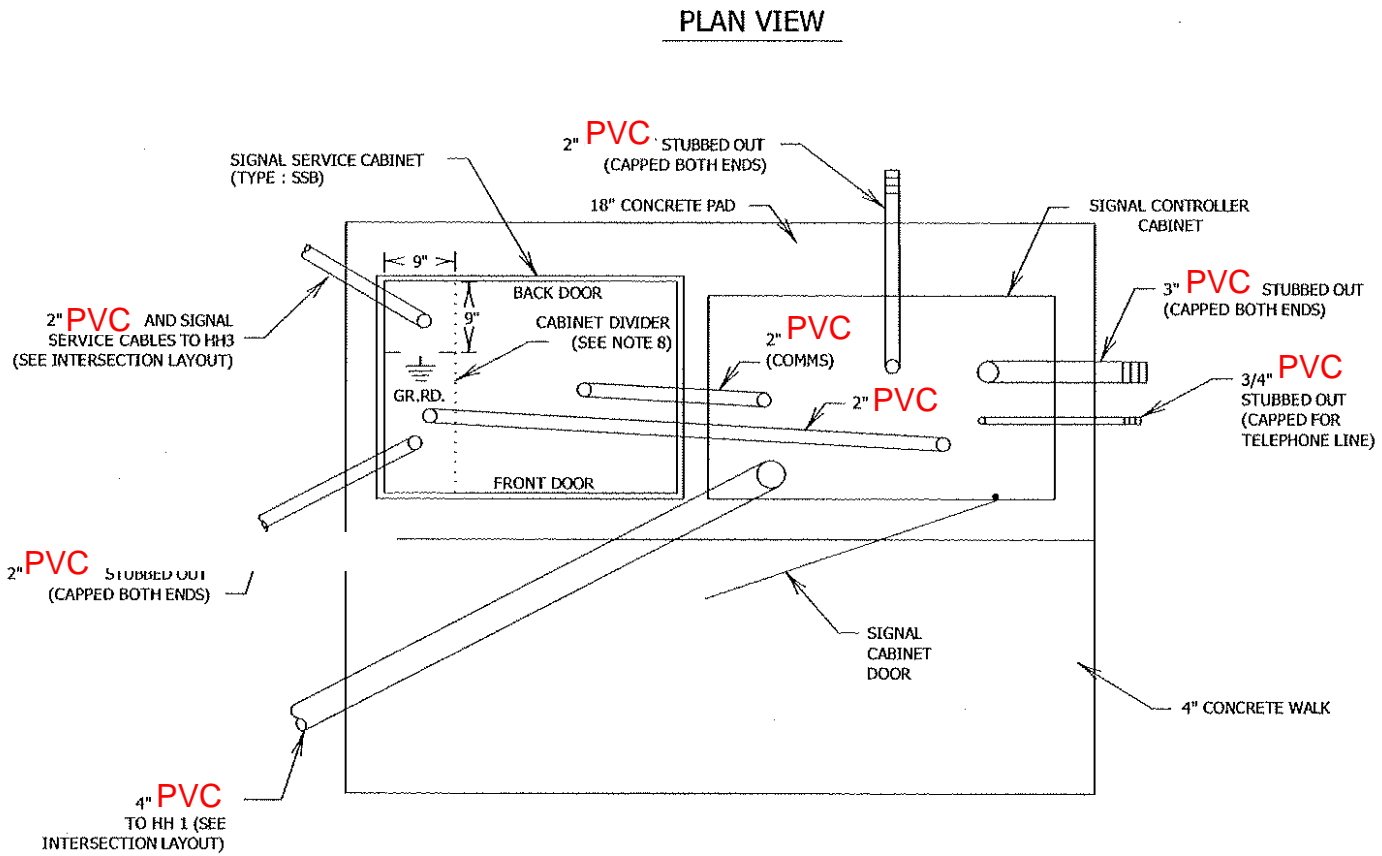


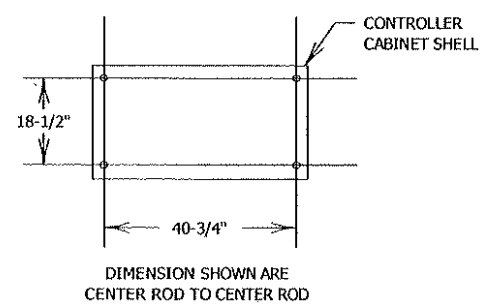
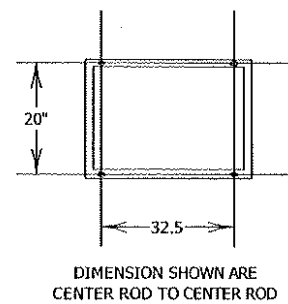
# TYPICAL PAD WITH CONTROLLER CABINET AND SERVICE CABINET

SEE INTERSECTION LAYOUT FOR CABLE INFORMATION (NOT TO SCALE)



S.S.B. SERVICE CABINET  
BOLT PATTERN

CONTROLLER CABINET  
TYPE "P" & "R"  
BOLT PATTERN



SYSTEM ID NO: 39195  
TE NO: 5066  
METER ADDRESS: 204 LAKE ST N

**REIMBURSABLE: FOREST LAKE  
PAYS STATE TO MAINTAIN**

**FOREST LAKE, MINNESOTA**  
TRUNK HIGHWAY 61 & COUNTY STATE AID HIGHWAY 2  
TRAFFIC SIGNAL SYSTEM PLAN (2ND AVE NW)  
EQUIPMENT PAD DETAIL

NO.	REVISION	DATE

SURVEY	PBR
DRAWN	SPI
DESIGNED	SPI
APPROVED	PBR
PROJ. NO.	16508242

K:\165\16508242\CAD\DWG\16508242-59.dwg 5/11/2010 3:22:00 PM

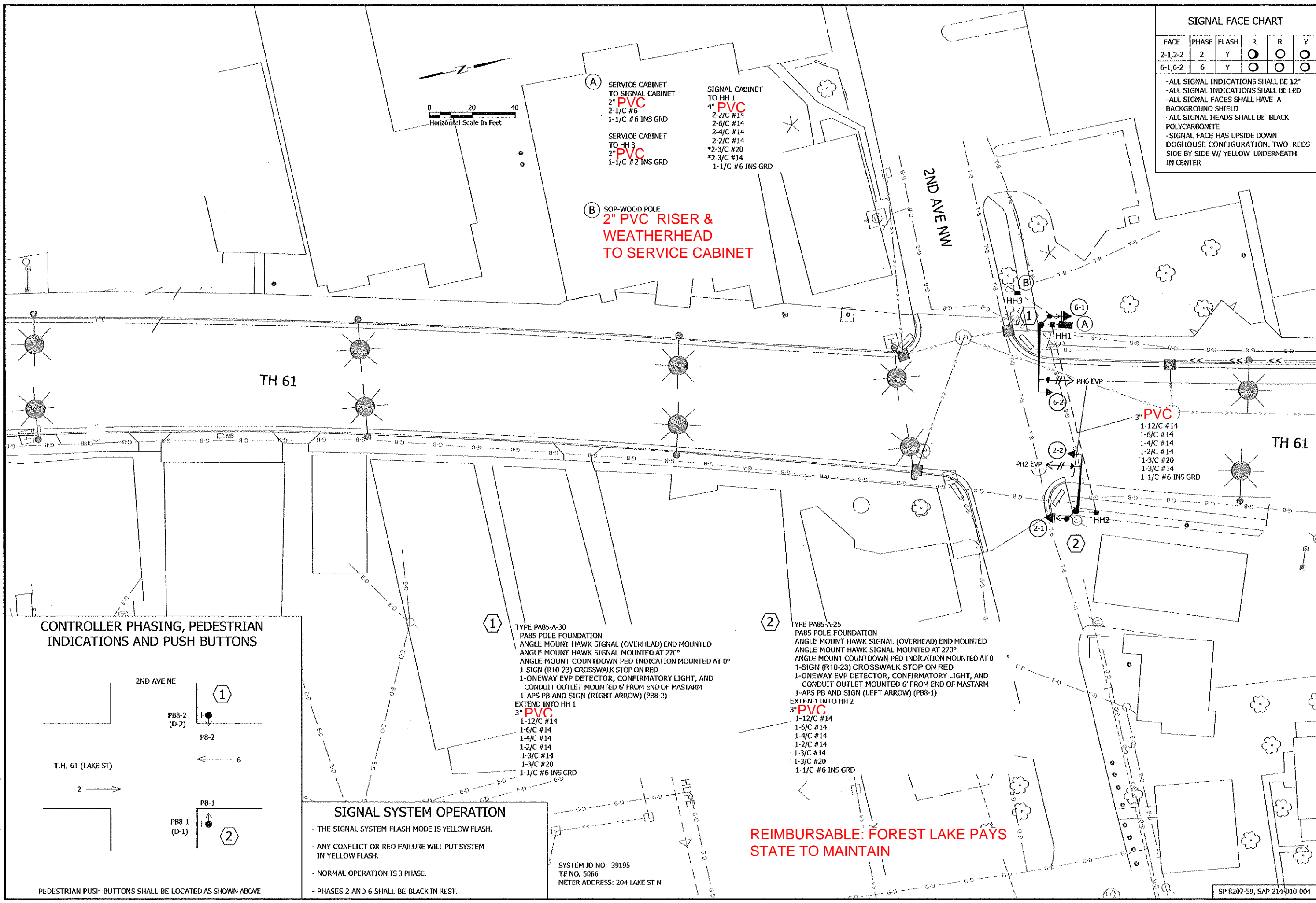
SIGNAL FACE CHART

FACE	PHASE	FLASH	R	R	Y
2-1,2-2	2	Y	○	○	○
6-1,6-2	6	Y	○	○	○

-ALL SIGNAL INDICATIONS SHALL BE 12"  
 -ALL SIGNAL INDICATIONS SHALL BE LED  
 -ALL SIGNAL FACES SHALL HAVE A BACKGROUND SHIELD  
 -ALL SIGNAL HEADS SHALL BE BLACK POLYCARBONITE  
 -SIGNAL FACE HAS UPSIDE DOWN DOGHOUSE CONFIGURATION. TWO REDS SIDE BY SIDE W/ YELLOW UNDERNEATH IN CENTER

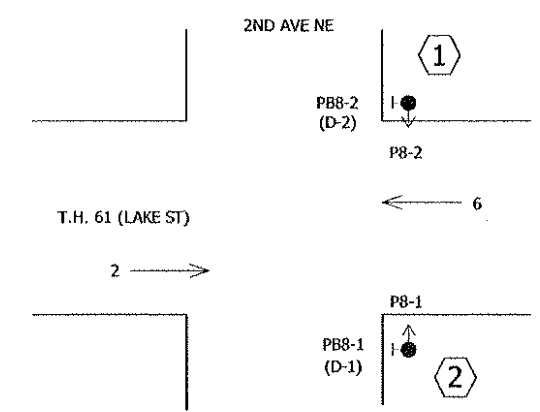
**Bonestroo**  
 2335 Highway 36 W  
 St. Paul, MN 55113  
 Ph: 651-636-4600  
 Fax: 651-636-1311  
 www.bonestroo.com  
 © BONESTROO 2010

I HEREBY CERTIFY THAT THIS PLAN, SPECIFICATION, OR REPORT WAS PREPARED BY ME OR UNDER MY DIRECT SUPERVISION AND THAT I AM A LICENSED PROFESSIONAL ENGINEER UNDER THE LAWS OF THE STATE OF MINNESOTA.  
 PRINT NAME: SCOTT P. HANSEN  
 SIGNATURE: [Signature]  
 DATE: 5/12/2010  
 LIC. NO.: 2658



3" PVC  
 1-12/C #14  
 1-6/C #14  
 1-4/C #14  
 1-2/C #14  
 1-3/C #20  
 1-3/C #14  
 1-1/C #6 INS GRD

**CONTROLLER PHASING, PEDESTRIAN INDICATIONS AND PUSH BUTTONS**



**SIGNAL SYSTEM OPERATION**

- THE SIGNAL SYSTEM FLASH MODE IS YELLOW FLASH.
- ANY CONFLICT OR RED FAILURE WILL PUT SYSTEM IN YELLOW FLASH.
- NORMAL OPERATION IS 3 PHASE.
- PHASES 2 AND 6 SHALL BE BLACK IN REST.

SYSTEM ID NO: 39195  
 TE NO: 5066  
 METER ADDRESS: 204 LAKE ST N

**REIMBURSABLE: FOREST LAKE PAYS STATE TO MAINTAIN**

**FOREST LAKE, MINNESOTA**  
 TRUNK HIGHWAY 61 & COUNTY STATE AID HIGHWAY 2  
 TRAFFIC SIGNAL SYSTEM PLAN (2ND AVE NW)  
 INTERSECTION LAYOUT

NO.	REVISION	DATE

SURVEY PBR  
 DRAWN SFI  
 DESIGNED SPI  
 APPROVED PPM  
 PROJ. NO. 16508242

K:\16516508242\CAD\Drawg\16508242CS21.dwg 5/12/2010 10:25:04 AM

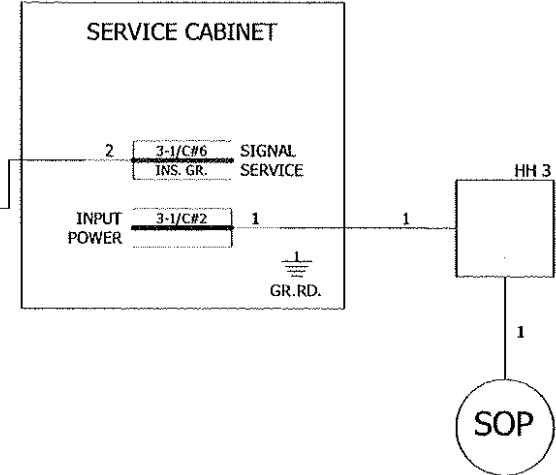
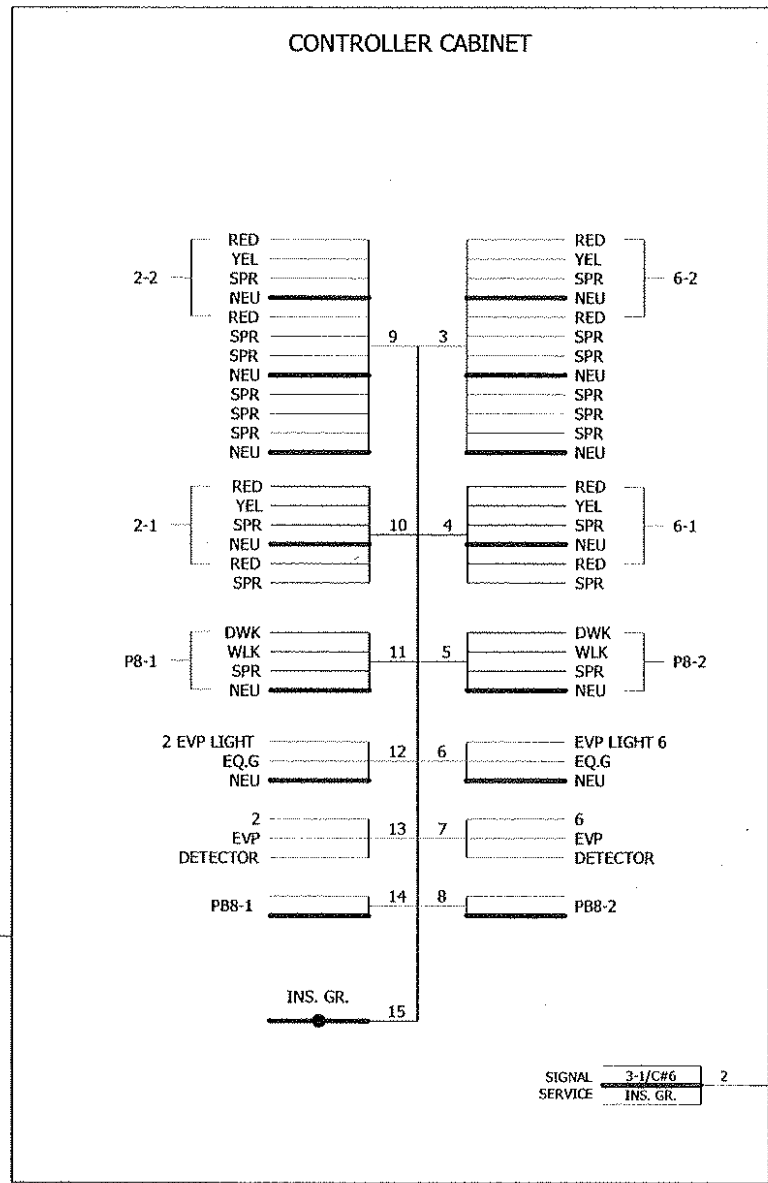
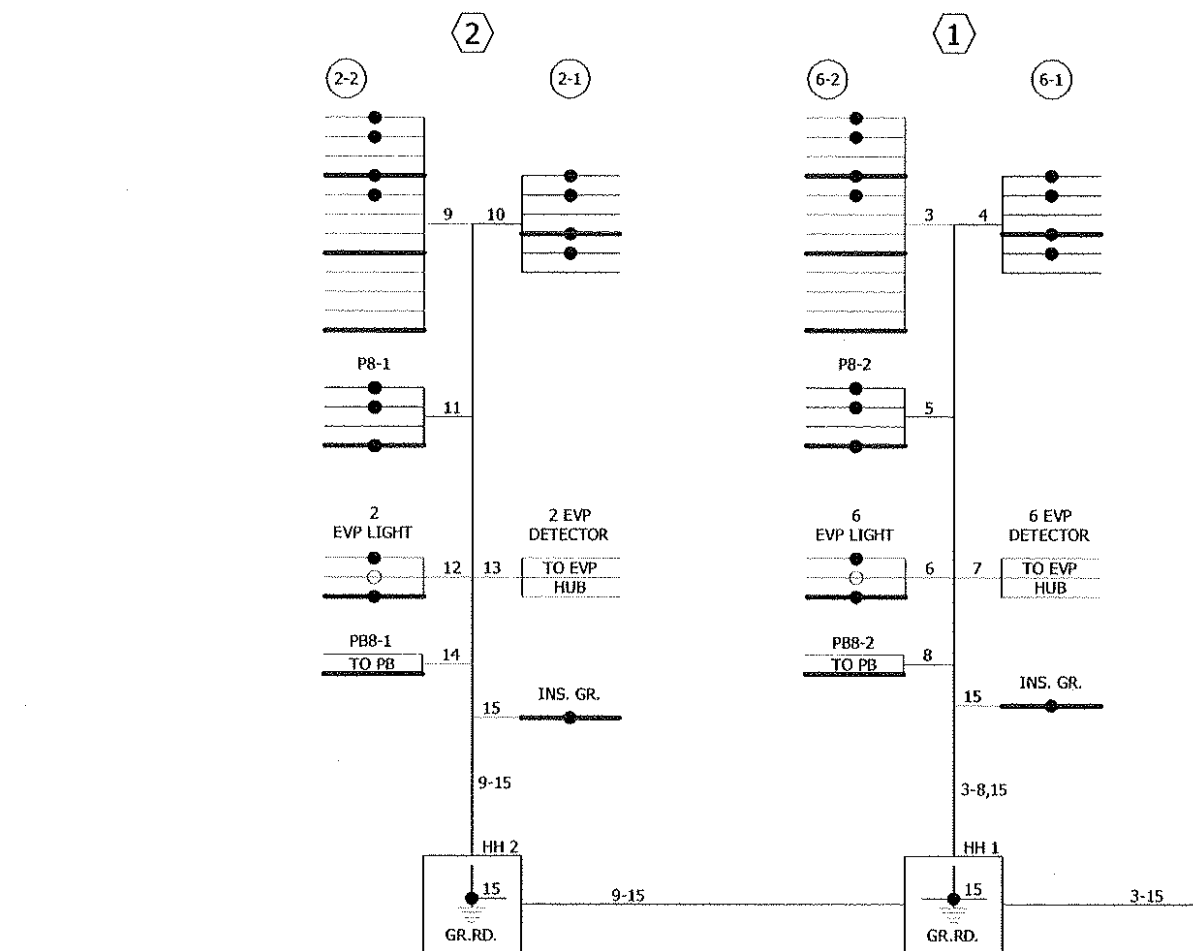


Bonestroo

2335 Highway 36 W  
St. Paul, MN 55113  
Ph: 651-636-4600  
Fax: 651-636-1311

www.bonestroo.com  
© BONESTROO 2010

I HEREBY CERTIFY THAT THIS PLAN, SPECIFICATION, OR REPORT WAS PREPARED BY ME OR UNDER MY CLOSE PERSONAL SUPERVISION AND THAT I AM A FULLY LICENSED PROFESSIONAL ENGINEER UNDER THE LAWS OF THE STATE OF MINNESOTA.  
PRINT NAME: SCOTT P. ISAACSON  
SIGNATURE: [Signature]  
DATE: 3-26-2010 U.C. No. 2657



**CONDUCTOR COLOR CODE (14 GAUGE)**

TO SIGNAL CABINET		TO DEVICE	
1/C#6	G	R	RED
		O	YEL
		BL	SPR
6/C#14	WH	BLK/R	NEU
		BLK	RED
			SPR
		R	DWK
3-1/C#2	R	BLK/R	WLK
	WH	BLK	SPR
	BLK	WH	NEU
3-1/C#6	WH		
	G		
		BLK	EVL LIGHT
		G	LUM/FLASHER
		BLK	WH OR CLR
		WH OR CLR	
		R OR O	BLK
		WH OR YEL	WH OR CLR
		BLK OR BL	PED PUSH BUTTON (If Required)
12/C#14	R/BLK		
	O/BLK		
	BL/BLK		
	WH/BLK		
	BLK		
	BLK/WH		
	BLK/R		
	WH/R		

BASE OF POLE OR PEDESTAL

NOTES:  
1. SIGNAL SYSTEM INCLUDES BATTERY- BACKUP SERVICE CABINET (WITH BATTERIES).  
**2. REIMBURSABLE: FOREST LAKE PAYS STATE TO MAINTAIN.**

FIELD WIRING DIAGRAM  
PED CROSSING SYSTEM  
T.H. 61 (LAKE AVENUE) AT 2ND AVENUE N  
FOREST LAKE, WASHINGTON COUNTY

SYSTEM ID NO: 39195  
TE NO: 5066  
METER ADDRESS: 204 LAKE ST N

FOREST LAKE, MINNESOTA  
TRUNK HIGHWAY 61 & COUNTY STATE AID HIGHWAY 2  
TRAFFIC SIGNAL SYSTEM PLAN (2ND AVE NW)  
WIRING DIAGRAM

NO.	REVISION	DATE

K:\1651\6508247\CAD\DWG\16508247C302.dwg 5/11/2010 3:23:45 PM