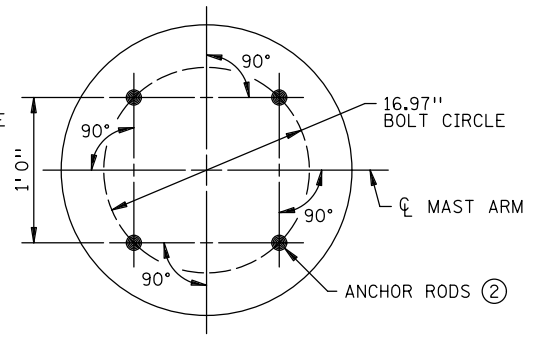
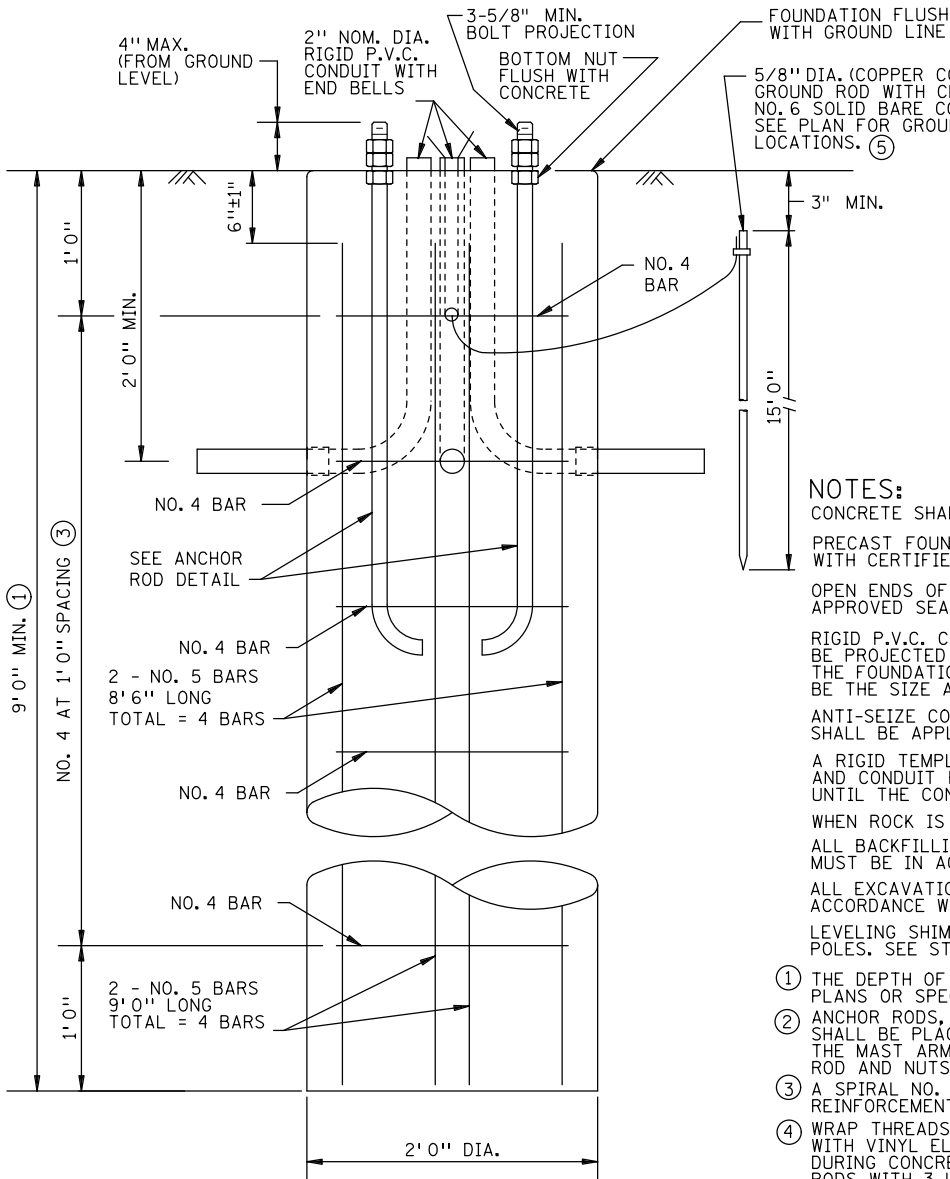


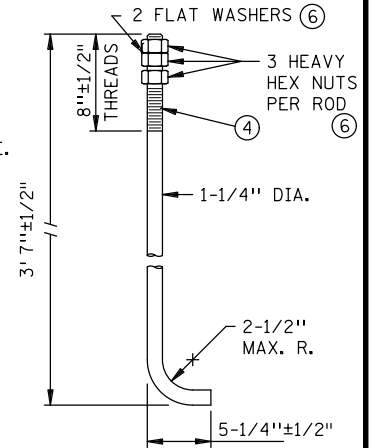
PLAN



ANCHOR ROD PLACEMENT



ELEVATION
PRECAST FOUNDATION



ANCHOR ROD DETAIL
4 REQUIRED (2)

NOTES:

- CONCRETE SHALL BE MIX NO. 3G52.
- PRECAST FOUNDATION FACILITY MUST BE IN COMPLIANCE WITH CERTIFIED PLANT REQUIREMENT OF SPEC. 3238.
- OPEN ENDS OF CONDUITS SHALL BE SEALED WITH AN APPROVED SEALING COMPOUND.
- RIGID P.V.C. CONDUIT PER SPEC. 3803 WITH END BELLS SHALL BE PROJECTED A MINIMUM OF 1/4" TO MAXIMUM 1" ABOVE THE FOUNDATION BEFORE MORTAR IS PLACED AND SHALL BE THE SIZE AND NUMBER SHOWN IN THE PLAN.
- ANTI-SEIZE COMPOUND THAT MEETS MIL-PRF-907E SPEC. SHALL BE APPLIED WITH A BRUSH TO ALL THREADS.
- A RIGID TEMPLATE SHALL BE PROVIDED FOR ANCHOR ROD AND CONDUIT PLACEMENT AND SHALL BE LEFT IN PLACE UNTIL THE CONCRETE HAS SET.
- WHEN ROCK IS ENCOUNTERED, SEE PLAN DETAILS.
- ALL BACKFILLING AND EXCAVATION AROUND THE FOUNDATION MUST BE IN ACCORDANCE WITH 2451 AND 2545.3.
- ALL EXCAVATIONS MUST BE PROPERLY COMPACTED IN ACCORDANCE WITH 2451.
- LEVELING SHIMS SHALL BE USED WHEN PLACING ALUMINUM POLES. SEE STANDARD PLATE 8129.
- ① THE DEPTH OF THE FOUNDATION MAY VARY IN THE PLANS OR SPECIAL PROVISIONS.
- ② ANCHOR RODS, NUTS, AND WASHERS PER SPEC. 3385, TYPE B, SHALL BE PLACED AT RIGHT ANGLES TO THE DIRECTION OF THE MAST ARM. GALVANIZE THE TOP 1 FT. OF THE ANCHOR ROD AND NUTS PER SPEC. 3392.
- ③ A SPIRAL NO. 4 BAR MAY BE USED AS AN ALTERNATE REINFORCEMENT.
- ④ WRAP THREADS OF ANCHOR RODS ABOVE THE BOTTOM NUT WITH VINYL ELECTRICAL TAPE TO AVOID CONTAMINATION DURING CONCRETE POURING. WRAP THREADS OF ANCHOR RODS WITH 3 LAYERS OF VINYL ELECTRICAL TAPE 2" BELOW THE BOTTOM NUTS.
- ⑤ GROUND ROD MUST BE ADDED 3" TO 6" DEEP BELOW GROUND LINE AND WITHIN 1' OF FOUNDATION.
- ⑥ USE 1 HOLDDOWN WASHER AND 2 HEAVY HEX NUTS PER ROD FOR ALUMINUM POLE INSTALLATION.

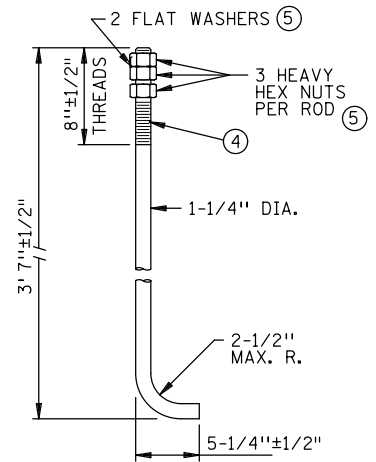
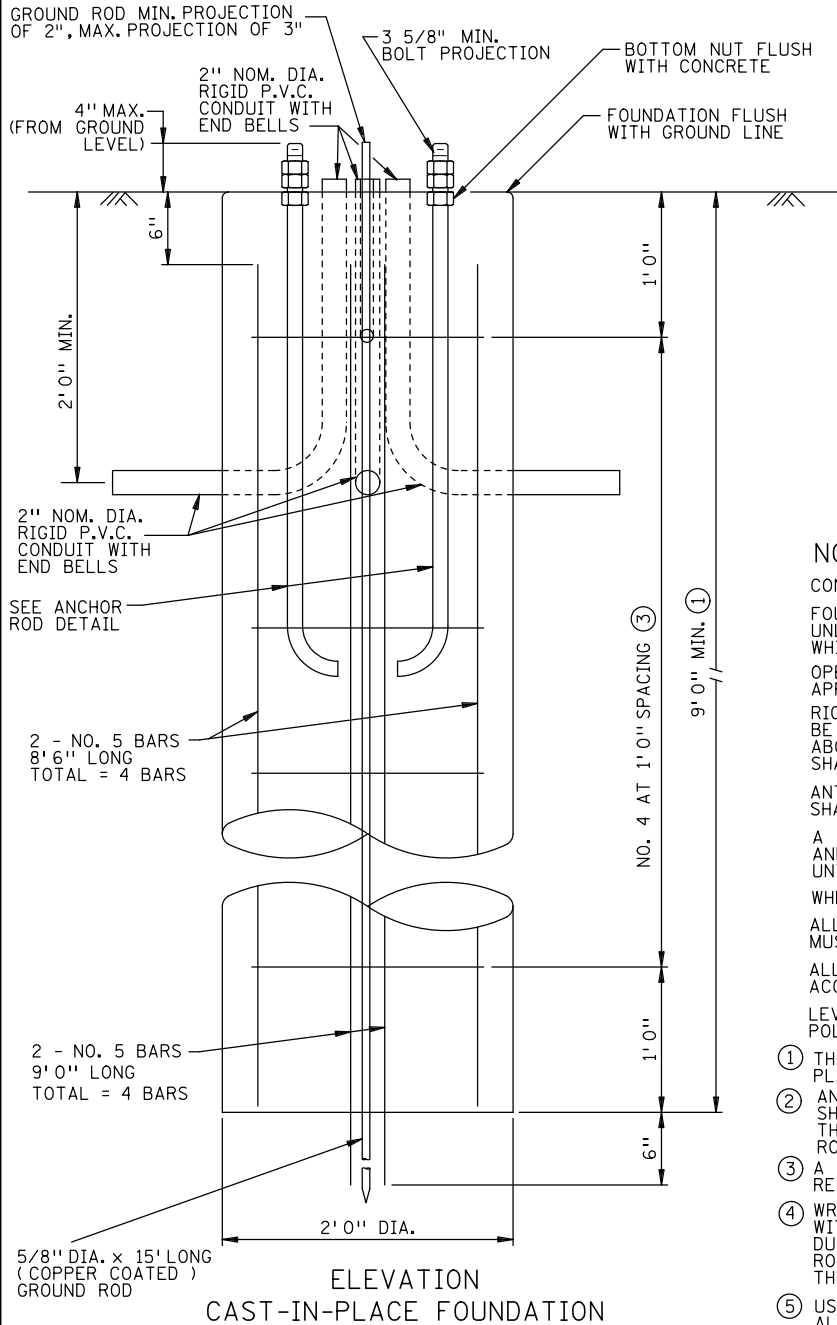
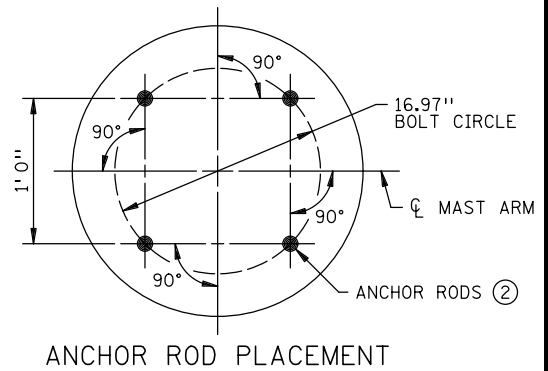
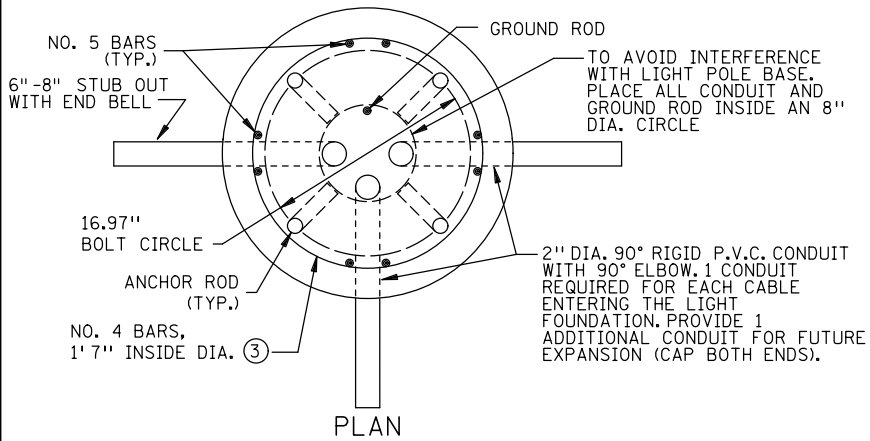
APPROVED JULY 15, 2015

Christina Ky
STATE DESIGN ENGINEER

STATE OF MINNESOTA
DEPARTMENT OF TRANSPORTATION
LIGHT FOUNDATION - DESIGN H
PRECAST
49 FT. POLE

SPECIFICATION
REFERENCE
2545

STANDARD
PLATE
NO.
8128E
1 OF 2



ANCHOR ROD DETAILS
4 REQUIRED (2)

NOTES:

- CONCRETE SHALL BE MIX NO. 3G52.
- FOUNDATIONS MAY BE CONSTRUCTED IN AUGERED HOLES UNLESS THE NATURAL SOILS WILL NOT STAND OPEN, IN WHICH CASE FORMING WILL BE REQUIRED.
- OPEN ENDS OF CONDUITS SHALL BE SEALED WITH AN APPROVED SEALING COMPOUND.
- RIGID P.V.C. CONDUIT PER SPEC. 3803 WITH END BELLS SHALL BE PROJECTED A MINIMUM 1/4" TO MAXIMUM 1" ABOVE THE FOUNDATION BEFORE MORTAR IS PLACED AND SHALL BE THE SIZE AND NUMBER SHOWN IN THE PLAN.
- ANTI-SEIZE COMPOUND THAT MEETS MIL-PRF-907E SPEC. SHALL BE APPLIED WITH A BRUSH TO ALL THREADS.
- A RIGID TEMPLATE SHALL BE PROVIDED FOR ANCHOR ROD AND CONDUIT PLACEMENT AND SHALL BE LEFT IN PLACE UNTIL THE CONCRETE HAS SET.
- WHEN ROCK IS ENCOUNTERED, SEE PLAN DETAILS.
- ALL BACKFILLING AND EXCAVATION AROUND FOUNDATION MUST BE IN ACCORDANCE WITH 2451 AND 2545.3.
- ALL EXCAVATIONS MUST BE PROPERLY COMPACTED IN ACCORDANCE WITH 2451.
- LEVELING SHIMS SHALL BE USED WHEN PLACING ALUMINUM POLES. SEE STANDARD PLATE 8129.
- (1) THE DEPTH OF THE FOUNDATION MAY BE CHANGED IN THE PLANS OR SPECIAL PROVISIONS.
- (2) ANCHOR RODS, NUTS, AND WASHERS PER SPEC. 3385, TYPE B, SHALL BE PLACED AT RIGHT ANGLES TO THE DIRECTION OF THE MAST ARM. GALVANIZE THE TOP 1 FT. OF THE ANCHOR ROD AND NUTS PER SPEC. 3392.
- (3) A SPIRAL NO. 4 BAR MAY BE USED AS AN ALTERNATE REINFORCEMENT.
- (4) WRAP THREADS OF ANCHOR RODS ABOVE THE BOTTOM NUT WITH VINYL ELECTRICAL TAPE TO AVOID CONTAMINATION DURING CONCRETE POURING. WRAP THREADS OF ANCHOR RODS WITH 3 LAYERS OF VINYL ELECTRICAL TAPE 2" BELOW THE BOTTOM NUTS.
- (5) USE 1 HOLDDOWN WASHER AND 2 HEAVY HEX NUTS PER ROD FOR ALUMINUM POLE INSTALLATION.

APPROVED JULY 15, 2015
Christina Ky
STATE DESIGN ENGINEER

STATE OF MINNESOTA
DEPARTMENT OF TRANSPORTATION
LIGHT FOUNDATION - DESIGN H
CAST IN-PLACE
49 FT. POLE

SPECIFICATION
REFERENCE
2545

STANDARD
PLATE
NO.
8128E
2 OF 2