

**NOTES:**

- CONCRETE SHALL BE MIX NO. 3G52.
- PRECAST FOUNDATION FACILITY MUST BE IN COMPLIANCE WITH CERTIFIED PLANT REQUIREMENT OF SPEC. 3238.
- RIGID P.V.C. CONDUIT PER SPEC. 3803 WITH END BELLS SHALL BE PROJECTED A MINIMUM 1/4" TO MAXIMUM 1" ABOVE THE FOUNDATION BEFORE MORTAR IS PLACED AND SHALL BE THE SIZE AND NUMBER SHOWN IN THE PLAN.
- A RIGID TEMPLATE SHALL BE PROVIDED FOR ANCHOR ROD AND CONDUIT PLACEMENT AND SHALL BE LEFT IN PLACE UNTIL THE CONCRETE HAS SET.
- OPEN ENDS OF CONDUITS SHALL BE SEALED WITH AN APPROVED SEALING COMPOUND.
- ANTI-SEIZE COMPOUND THAT MEETS MIL-PRF-907E SPEC. SHALL BE APPLIED WITH A BRUSH TO ALL THREADS.
- WHEN ROCK IS ENCOUNTERED, SEE PLAN DETAILS.
- ALL BACKFILLING AND EXCAVATION AROUND FOUNDATION MUST BE IN ACCORDANCE WITH 2451 AND 2545.3.
- ALL EXCAVATIONS MUST BE PROPERLY COMPACTED IN ACCORDANCE WITH 2451.
- LEVELING SHIMS SHALL BE USED WHEN PLACING ALUMINUM POLES. SEE STANDARD PLATE 8129.
- ① THE DEPTH OF THE FOUNDATION MAY VARY IN THE PLANS OR SPECIAL PROVISIONS.
- ② ANCHOR RODS, NUTS, AND WASHERS PER SPEC. 3385, TYPE B, SHALL BE PLACED AT RIGHT ANGLES TO THE DIRECTION OF THE MAST ARM. GALVANIZE THE TOP 1 FT. OF THE ANCHOR ROD AND NUTS PER SPEC. 3392.
- ③ WRAP THREADS OF ANCHOR RODS ABOVE THE BOTTOM NUT WITH VINYL ELECTRICAL TAPE TO AVOID CONTAMINATION DURING CONCRETE POURING. WRAP THREADS OF ANCHOR RODS WITH 3 LAYERS OF VINYL ELECTRICAL TAPE 2" BELOW THE BOTTOM NUTS.
- ④ GROUND ROD MUST BE ADDED 3" TO 6" DEEP BELOW GROUND LINE AND WITHIN 1' OF FOUNDATION.
- ⑤ USE 1 HOLDDOWN WASHER AND 2 HEAVY HEX NUTS PER ROD FOR ALUMINUM POLE INSTALLATION.

ELEVATION  
PRECAST FOUNDATION

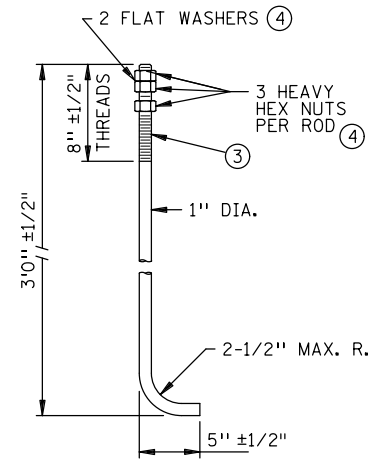
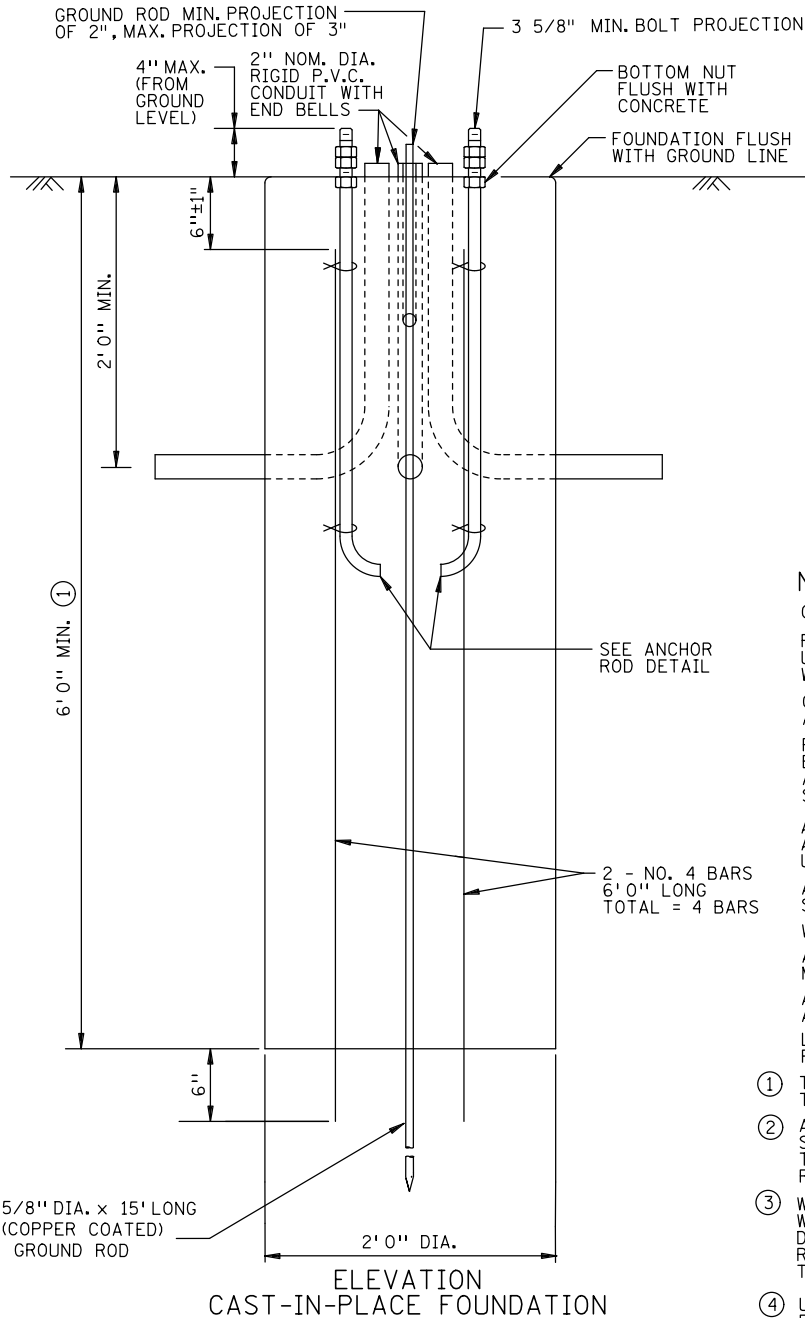
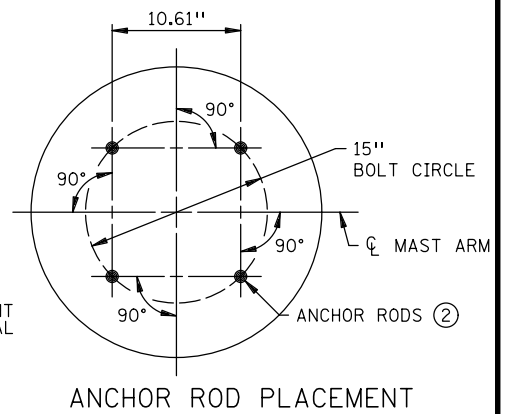
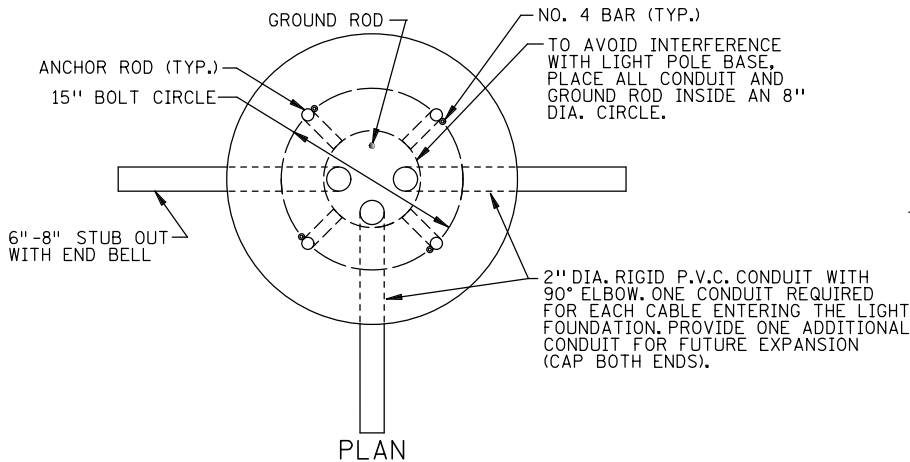
APPROVED JULY 15, 2015

*Christina Ky*  
STATE DESIGN ENGINEER

STATE OF MINNESOTA  
DEPARTMENT OF TRANSPORTATION  
LIGHT FOUNDATION - DESIGN E  
PRECAST  
40 FT. POLE OR LESS

SPECIFICATION  
REFERENCE  
2545

STANDARD  
PLATE  
NO.  
8127E  
1 OF 2



ANCHOR ROD DETAIL  
4 REQUIRED (2)

**NOTES:**

- CONCRETE SHALL BE MIX NO. 3G52.
- FOUNDATIONS MAY BE CONSTRUCTED IN AUGERED HOLES UNLESS THE NATURAL SOILS WILL NOT STAND OPEN, IN WHICH CASE FORMING WILL BE REQUIRED.
- OPEN ENDS OF CONDUITS SHALL BE SEALED WITH AN APPROVED SEALING COMPOUND.
- RIGID P.V.C. CONDUIT PER SPEC. 3803 WITH END BELLS SHALL BE PROJECTED A MINIMUM 1/4" TO MAXIMUM 1" ABOVE THE FOUNDATION BEFORE MORTAR IS PLACED AND SHALL BE THE SIZE AND NUMBER SHOWN IN THE PLAN.
- A RIGID TEMPLATE SHALL BE PROVIDED FOR ANCHOR ROD AND CONDUIT PLACEMENT AND SHALL BE LEFT IN PLACE UNTIL THE CONCRETE HAS SET.
- ANTI-SEIZE COMPOUND THAT MEETS MIL-PRF-907E SPEC. SHALL BE APPLIED WITH A BRUSH TO ALL THREADS.
- WHEN ROCK IS ENCOUNTERED, SEE PLAN DETAILS.
- ALL BACKFILLING AND EXCAVATION AROUND FOUNDATION MUST BE IN ACCORDANCE WITH 2451 AND 2545.3.
- ALL EXCAVATIONS MUST BE PROPERLY COMPACTED IN ACCORDANCE WITH 2451.
- LEVELING SHIMS SHALL BE USED WHEN PLACING ALUMINUM POLES. SEE STANDARD PLATE 8129.
- (1) THE DEPTH OF THE FOUNDATION MAY VARY IN THE PLANS OR SPECIAL PROVISIONS.
- (2) ANCHOR RODS, NUTS, AND WASHERS PER SPEC. 3385, TYPE B, SHALL BE PLACED AT RIGHT ANGLES TO THE DIRECTION OF THE MAST ARM. GALVANIZE THE TOP 1 FT. OF THE ANCHOR ROD AND NUTS PER SPEC. 3392.
- (3) WRAP THREADS OF ANCHOR RODS ABOVE THE BOTTOM NUT WITH VINYL ELECTRICAL TAPE TO AVOID CONTAMINATION DURING CONCRETE POURING. WRAP THREADS OF ANCHOR RODS WITH 3 LAYERS OF VINYL ELECTRICAL TAPE 2" BELOW THE BOTTOM NUTS.
- (4) USE 1 HOLDDOWN WASHER AND 2 HEAVY HEX NUTS PER ROD FOR ALUMINUM POLE INSTALLATION.

APPROVED JULY 15, 2015  
  
 STATE DESIGN ENGINEER

STATE OF MINNESOTA  
 DEPARTMENT OF TRANSPORTATION  
**LIGHT FOUNDATION - DESIGN E**  
**CAST IN-PLACE**  
 40 FT. POLE OR LESS

SPECIFICATION  
 REFERENCE  
 2545

STANDARD  
 PLATE  
 NO.  
**8127E**  
 2 OF 2