

PLOTTED/REVISED: 6-JUL-2022

DISTRICT *: Metro
PLOT NAME: SP2706-239 OLD MARKET
FILE NAME: Projects\DM_PROS\007\0000\Traffic\Signal\8454 TH7 @ OLD MARKET RD IT 3499\NO3-202\SP2706-239 OLD MARKET.dgn

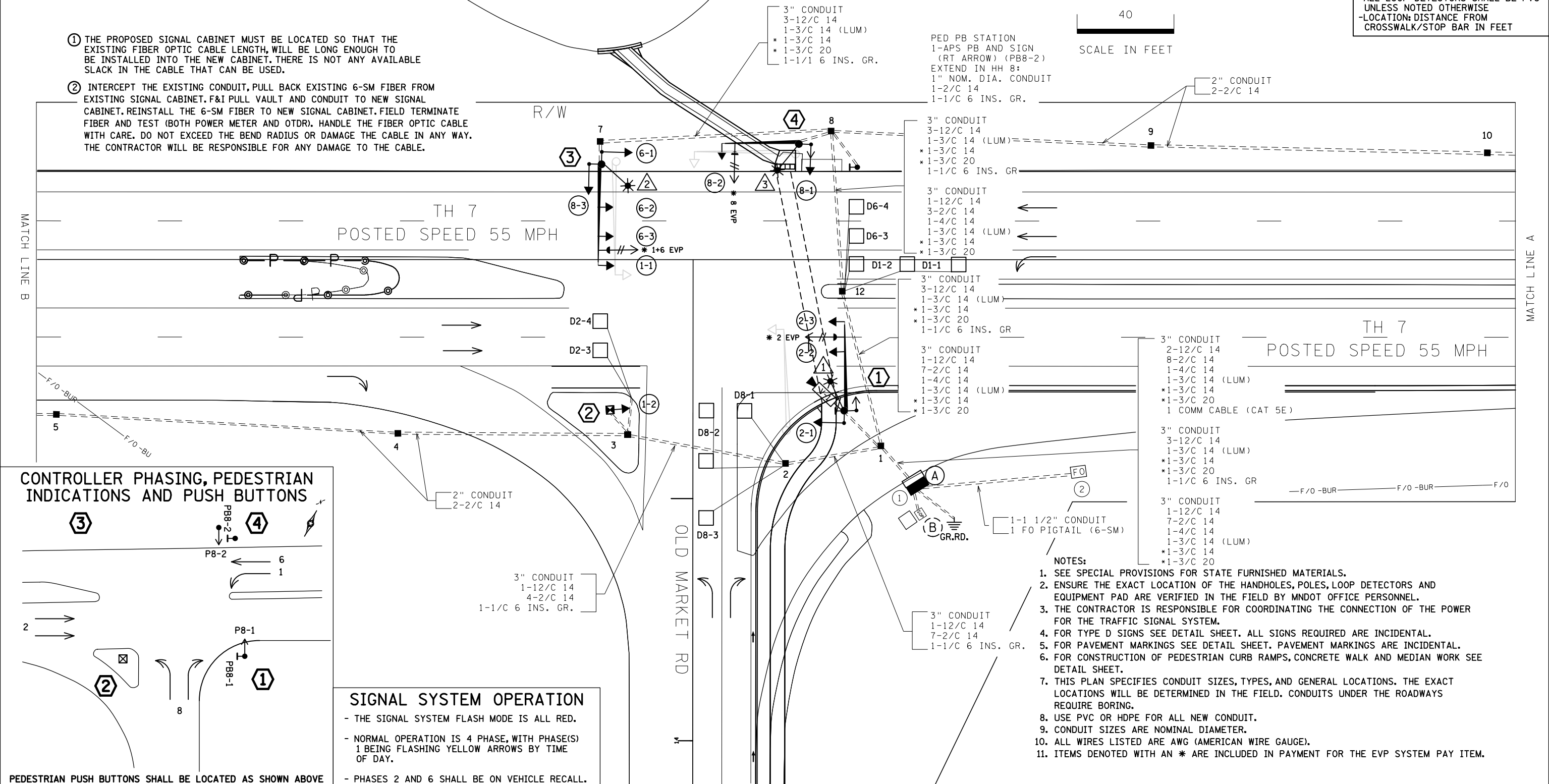
SIGNAL HEAD CHART					
FACE	R	Y	FYA	G	G
6-1, 6-2, 6-3	●	●		●	
2-1, 2-2, 2-3, 8-1	●	●		●	
8-2	●	●		●	←
8-3	●	←		●	←
1-1, 1-2	←	←	←	←	

-ALL SIGNAL INDICATIONS SHALL BE 12" LED
-ALL SIGNAL HEADS SHALL BE BLACK POLYCARBONATE WITH BACKGROUND SHIELDS
-FYA DENOTES FLASHING YELLOW ARROW

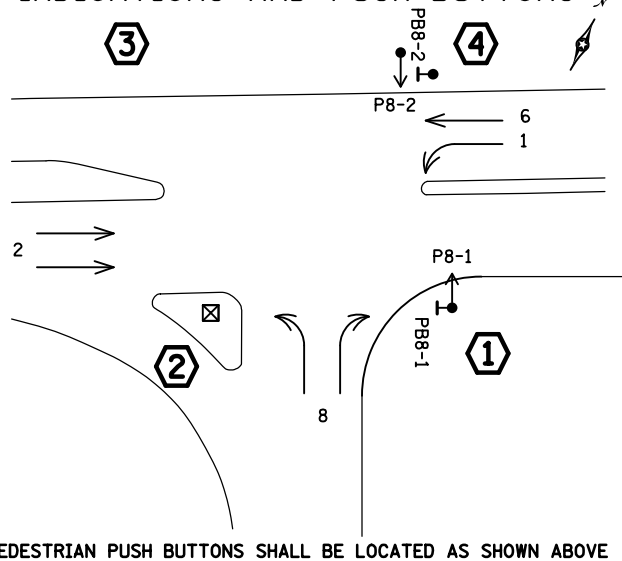
LOOP DETECTOR CHART		
NUMBER	SIZE (FT)	LOCATION
D8-2	6X6	5 & 20
D1-1	2-6X6	20 & 50
D8-3	6X6	50
D1-2, D8-1	6X6	5
D2-1, D2-2	6X6	475
D6-1, D6-2	6X6	475
D2-3, D2-4	6X6	5
D6-3, D6-4	6X6	5

-ALL LOOP DETECTORS SHALL BE PVC UNLESS NOTED OTHERWISE
-LOCATION: DISTANCE FROM CROSSWALK/STOP BAR IN FEET

- THE PROPOSED SIGNAL CABINET MUST BE LOCATED SO THAT THE EXISTING FIBER OPTIC CABLE LENGTH WILL BE LONG ENOUGH TO BE INSTALLED INTO THE NEW CABINET. THERE IS NOT ANY AVAILABLE SLACK IN THE CABLE THAT CAN BE USED.
- INTERCEPT THE EXISTING CONDUIT, PULL BACK EXISTING 6-SM FIBER FROM EXISTING SIGNAL CABINET. F&I PULL VAULT AND CONDUIT TO NEW SIGNAL CABINET. REINSTALL THE 6-SM FIBER TO NEW SIGNAL CABINET. FIELD TERMINATE FIBER AND TEST (BOTH POWER METER AND OTDR). HANDLE THE FIBER OPTIC CABLE WITH CARE. DO NOT EXCEED THE BEND RADIUS OR DAMAGE THE CABLE IN ANY WAY. THE CONTRACTOR WILL BE RESPONSIBLE FOR ANY DAMAGE TO THE CABLE.



CONTROLLER PHASING, PEDESTRIAN INDICATIONS AND PUSH BUTTONS



SIGNAL SYSTEM OPERATION

- THE SIGNAL SYSTEM FLASH MODE IS ALL RED.
- NORMAL OPERATION IS 4 PHASE, WITH PHASE(S) 1 BEING FLASHING YELLOW ARROWS BY TIME OF DAY.
- PHASES 2 AND 6 SHALL BE ON VEHICLE RECALL.

NOTES:

- SEE SPECIAL PROVISIONS FOR STATE FURNISHED MATERIALS.
- ENSURE THE EXACT LOCATION OF THE HANDHOLES, POLES, LOOP DETECTORS AND EQUIPMENT PAD ARE VERIFIED IN THE FIELD BY MNDOT OFFICE PERSONNEL.
- THE CONTRACTOR IS RESPONSIBLE FOR COORDINATING THE CONNECTION OF THE POWER FOR THE TRAFFIC SIGNAL SYSTEM.
- FOR TYPE D SIGNS SEE DETAIL SHEET. ALL SIGNS REQUIRED ARE INCIDENTAL.
- FOR PAVEMENT MARKINGS SEE DETAIL SHEET. PAVEMENT MARKINGS ARE INCIDENTAL.
- FOR CONSTRUCTION OF PEDESTRIAN CURB RAMPS, CONCRETE WALK AND MEDIAN WORK SEE DETAIL SHEET.
- THIS PLAN SPECIFIES CONDUIT SIZES, TYPES, AND GENERAL LOCATIONS. THE EXACT LOCATIONS WILL BE DETERMINED IN THE FIELD. CONDUITS UNDER THE ROADWAYS REQUIRE BORING.
- USE PVC OR HDPE FOR ALL NEW CONDUIT.
- CONDUIT SIZES ARE NOMINAL DIAMETER.
- ALL WIRES LISTED ARE AWG (AMERICAN WIRE GAUGE).
- ITEMS DENOTED WITH AN * ARE INCLUDED IN PAYMENT FOR THE EVP SYSTEM PAY ITEM.

BY	DATE	REVISIONS
MJB	07/06/22	CORRECTED OPERATION NOTES

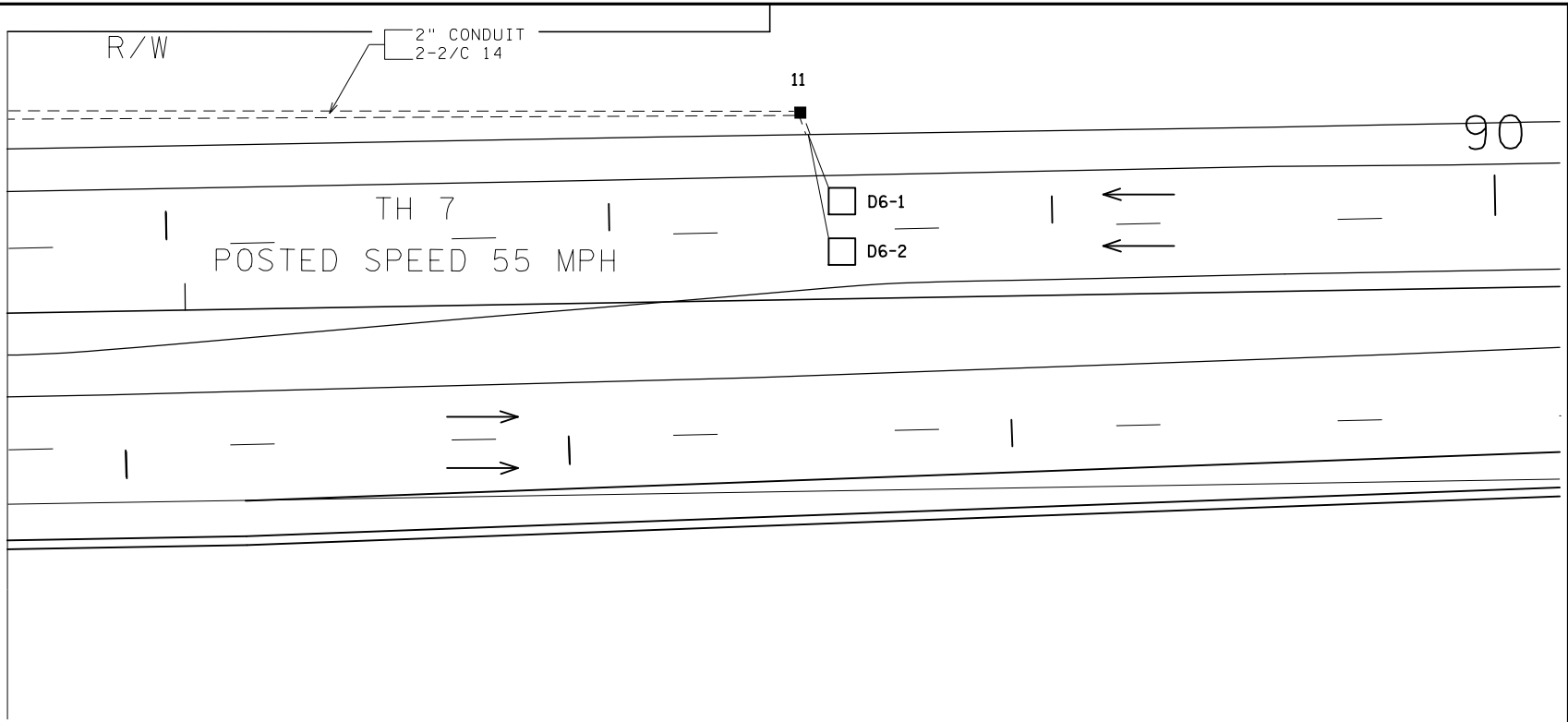
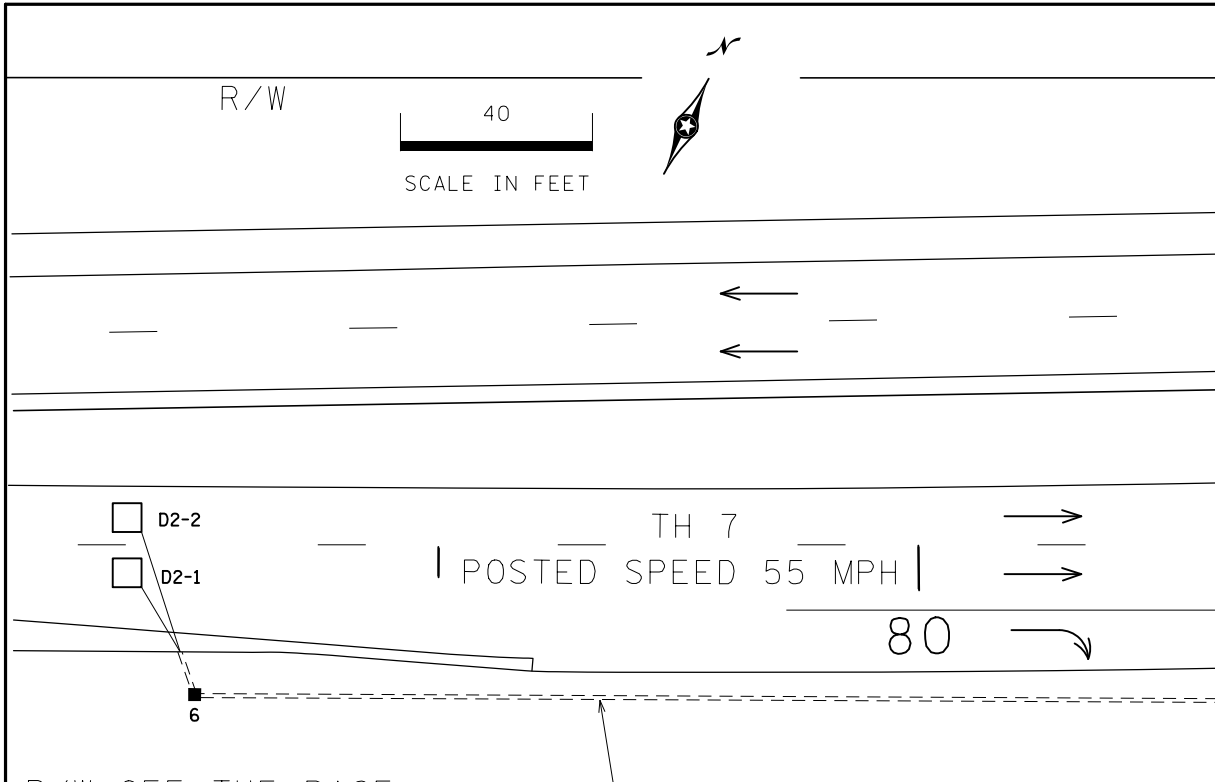
SYSTEM ID: 4107803 T.E. 28974
METER ADDRESS:
OLD SYSTEM ID: 20135

**INTERSECTION LAYOUT
TRAFFIC CONTROL SIGNAL SYSTEM "C"
T.H. 7 AT OLD MARKET ROAD
IN SHOREWOOD, HENNEPIN COUNTY**

S.A.P. NO. 216-111-005	DRAWN BY: RMV	CKD BY: MJB	DATE: 3-4-21
CERTIFIED BY: <i>Michael P. Gubinsky</i>	LIC. NO. 19863	DATE: 3-4-21	
STATE PROJ. NO. 2706-239 (T.H.7)		SHEET NO. SS17 OF SS36 SHEETS	

PLOTTED/REVISED: 6-JUL-2022

DISTRICT *: Metro
I/PLOT NAME: SP2706-239 OLD MARKET
FILE NAME: Projects\DM_FOS\007\0000\Traffic\Signal\8454 TH7 @ OLD MARKET RD IT3499\03-2021\SP2706-239 OLD MARKET.dgn



R/W OFF THE PAGE

2" CONDUIT
2-2/C 14

INTERSECTION NOTES

R/W

- ③ PA100 POLE FOUNDATION
TYPE PA100-A-40-D40-9 (DAVIT AT 350 DEG)
1-ANGLE MOUNT SIGNAL OVERHEAD AT 0'
2-STRAIGHT MOUNT SIGNALS OVERHEAD AT 11' AND 23'
2-ANGLE MOUNT SIGNALS AT 90 AND 180 DEG
* 1-ONE WAY EVP DETECTOR AND CONFIRMATORY LIGHT (PHASES 1+6)
LUMINAIRE-LED (FOR 40' MOUNTING HEIGHT)
3" CONDUIT TO HH 7:
3-12/C 14
1-3/C 14 (LUM)
* 1-3/C 14
* 1-3/C 20
1-1/C 6 INS. GR.

- ② PEDESTAL FOUNDATION
13' PEDESTAL PLUS BASE
TYPE 5A
1-ONE WAY SIGNAL
3" CONDUIT TO HH 3
1-12/C 14

- ④ PA90 POLE FOUNDATION
TYPE PA90-A-30-D40-9 (DAVIT AT 350 DEG)
1-ANGLE MOUNT SIGNAL OVERHEAD AT 0'
1-ANGLE MOUNT SIGNAL AT 180 DEG
1-ANGLE MOUNT C.D. PED HEAD AT 180 DEG
* 1-ONE WAY EVP DETECTOR AND CONFIRMATORY LIGHT (PHASE 8)
LUMINAIRE-LED (FOR 40' MOUNTING HEIGHT)
3" CONDUIT TO HH 8:
1-12/C 14
1-4/C 14
1-3/C 14 (LUM)
* 1-3/C 14
* 1-3/C 20
1-1/C 6 INS. GR.

- ① PA90 POLE FOUNDATION
TYPE PA90-A-35-X6-350/CAM (DAVIT AT 350 DEG)
1-ANGLE MOUNT SIGNAL OVERHEAD AT 0'
1-STRAIGHT MOUNT SIGNAL OVERHEAD AT 11'
1-ANGLE MOUNT SIGNAL AT 180 DEG
1-ANGLE MOUNT C.D. PED HEAD AT 90 DEG
1-APS PB AND SIGN (LEFT ARROW) (PB8-1), APS MOUNTING ADAPTOR AND APS PB MOUNTING SPACERS
* 1-ONE WAY EVP DETECTOR AND CONFIRMATORY LIGHT (PHASE 2)
LUMINAIRE-LED (FOR 40' MOUNTING HEIGHT)
1-PTZ CAMERA WITH MOUNT (STATE FURNISHED)
3" CONDUIT TO HH 1:
2-12/C 14
1-2/C 14
1-4/C 14
1-3/C 14 (LUM)
* 1-3/C 14
* 1-3/C 20
1-CAT 5E CABLE
1-1/C 6 INS. GR.

- Ⓐ EQUIPMENT PAD (SEE DETAIL SHEET)
SERVICE CABINET (SSB) NO BATTERY BACKUP SYSTEM OR BATTERIES
CONTROLLER AND CABINET (STATE FURNISHED)
3" CONDUIT TO HH1:
2-12/C 14
8-2/C 14
1-3/C 14 (LUM)
* 1-3/C 14
* 1-3/C 20
1 COMM CABLE (CAT 5E)
- 3" CONDUIT TO HH1:
3-12/C 14
1-3/C 14 (LUM)
* 1-3/C 14
* 1-3/C 20
1-1/C 6 INS. GR.

GROUND WIRE AND GROUND ROD - MIN 8' OUT FROM PAD
2-2" AND 1-3" CONDUIT STUBBED OUT (CAPPED BOTH ENDS)

1-1/2" CONDUIT TO PULL VAULT:
1-FO PIGTAIL (6-SM)

CONTROLLER CABINET TO SERVICE CABINET:
2" CONDUIT
3-1/C 6

CONTROLLER CABINET TO SERVICE CABINET (COMMS):
2" CONDUIT
1-6PR 19

SERVICE CABINET TO GROUND MOUNTED TRANSFORMER:
2" CONDUIT
3-1/C 2

SERVICE CABINET TO HH 1:
2" CONDUIT
3-3/C 14 (LUM)

SERVICE CABINET TO EXTERNAL GR. RD.:
1" CONDUIT
1-1/C 6 INS. GR.
(SEE EQUIPMENT PAD LAYOUT)

- Ⓑ INPLACE SOP-GROUND MOUNTED TRANSFORMER (XCEL ENERGY)
2" CONDUIT INTO SERVICE CABINET:
3-1/C 2

BY	DATE	REVISIONS
MJB	5-25-21	UPDATED LUMINAIRE POLE NOTES

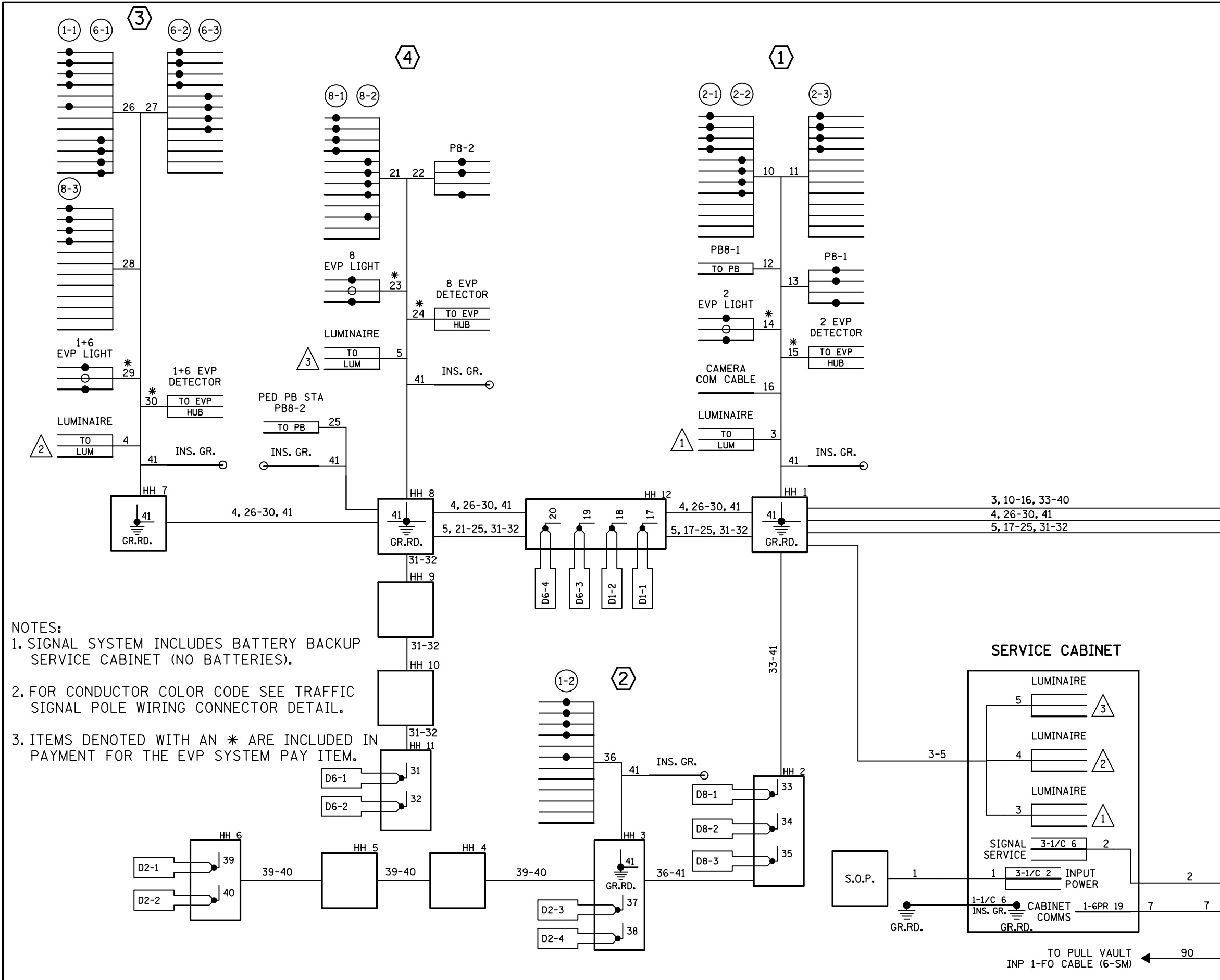
SYSTEM ID: 4107803 T.E. 28974
METER ADDRESS:
OLD SYSTEM ID: 20135

INTERSECTION MATCHLINES AND NOTES TRAFFIC CONTROL SIGNAL SYSTEM "C" T.H. 7 AT OLD MARKET ROAD IN SHOREWOOD, HENNEPIN COUNTY

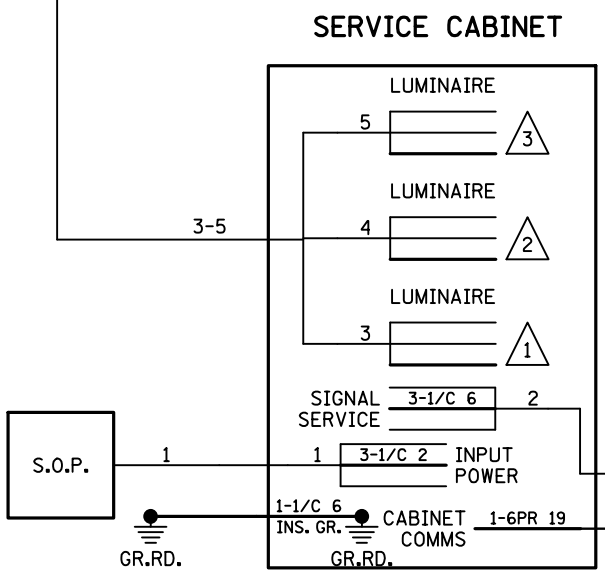
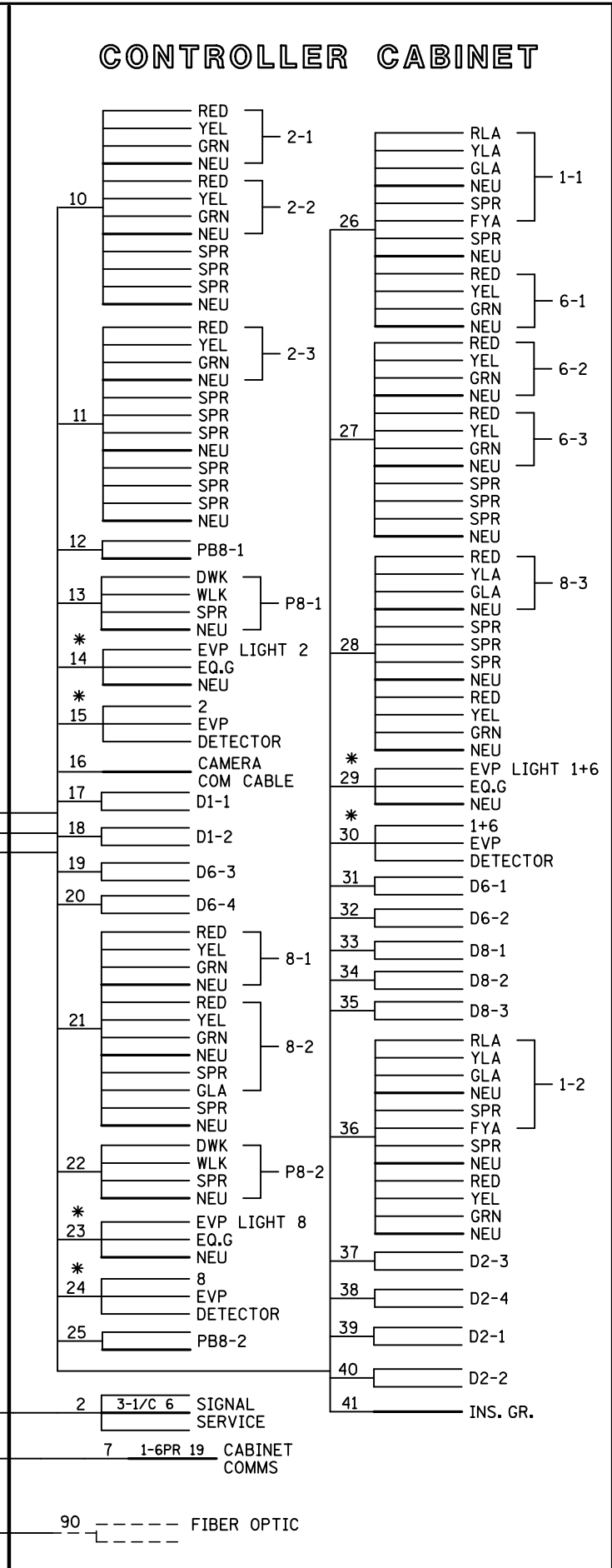
S.A.P. NO. 216-111-005	DRAWN BY: RMV	CKD BY: MJB	DATE: 3-4-21
CERTIFIED BY: <i>Michael P. Lubinsky</i>	LIC. NO. 19863	DATE: 3-4-21	
STATE PROJ. NO. 2706-239 (T.H.7)		SHEET NO. SS18 OF SS36 SHEETS	

PLOTTED/REVISED: 6-JUL-2022

DISTRICT *: Metro
PLOT NAME: SP2706-239 OLD MARKET
FILENAME: Projects\DM_FOS\007\000007\Traffic\Signal\8454 TH7 @ OLD MARKET RD IT3499\NO3-202\SP2706-239 OLD MARKET.dgn



- NOTES:
1. SIGNAL SYSTEM INCLUDES BATTERY BACKUP SERVICE CABINET (NO BATTERIES).
 2. FOR CONDUCTOR COLOR CODE SEE TRAFFIC SIGNAL POLE WIRING CONNECTOR DETAIL.
 3. ITEMS DENOTED WITH AN * ARE INCLUDED IN PAYMENT FOR THE EVP SYSTEM PAY ITEM.



BY	DATE	REVISIONS	SYSTEM ID: 4107803	T.E. 28974	S.A.P. NO. 216-111-005	DRAWN BY: RMV	CKD BY: MJB	DATE: 3-4-21
			METER ADDRESS:		CERTIFIED BY: <i>Michael P. Gubinsky</i>	LIC. NO. 19863		DATE: 3-4-21
			OLD SYSTEM ID: 20135		STATE PROJ. NO. 2706-239 (T.H.7) SHEET NO. SS19 OF SS36 SHEETS			

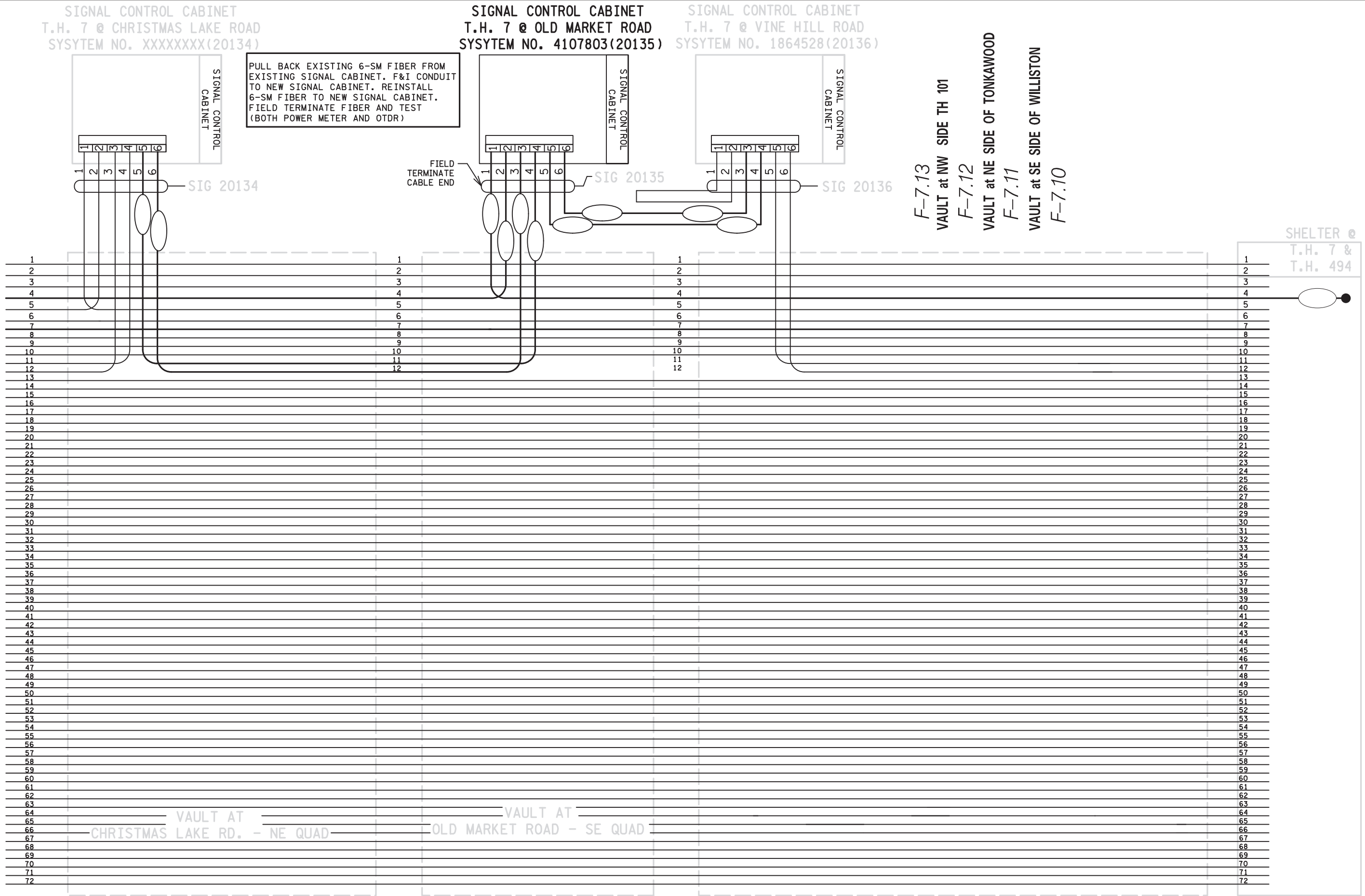
WIRING LAYOUT DIAGRAM
TRAFFIC CONTROL SIGNAL SYSTEM "C"
T.H. 7 AT OLD MARKET ROAD
IN SHOREWOOD, HENNEPIN COUNTY

TO PULL VAULT INP 1-FO CABLE (6-SM) ← 90
90 --- FIBER OPTIC

DISTRICT #: Metro
 IPLOT NAME: Sys C Fiber 1
 PATH & FILENAME: Projects\DM罗斯\007\0000\Traffic\Signal\20135 (T.H. 7 @ Old Market Rd)\Pending\T20135_FIBER

PLOTTED/REVISED: 3-MAR-2021

SEE SHEET SS--



BY	DATE	REVISIONS	SYSTEM ID: 4107803	T.E. 28974	S.A.P. NO. 216-111-005	DRAWN BY: MJB	CKD BY: CDB	DATE: 1-14-21
			METER ADDRESS:		CERTIFIED BY: <i>Michael P. Gubinsky</i>	LIC. NO. 19863		DATE: 3-3-21
			OLD SYSTEM ID: 1734991		STATE PROJ. NO. 2706-239 (T.H. 7) SHEET NO. SS21 OF SS36 SHEETS			

FIBER OPTIC SCHEMATIC
 TRAFFIC CONTROL SIGNAL SYSTEM "C"
 T.H. 7 AT OLD MARKET ROAD
 IN SHOREWOOD, HENNEPIN COUNTY

