

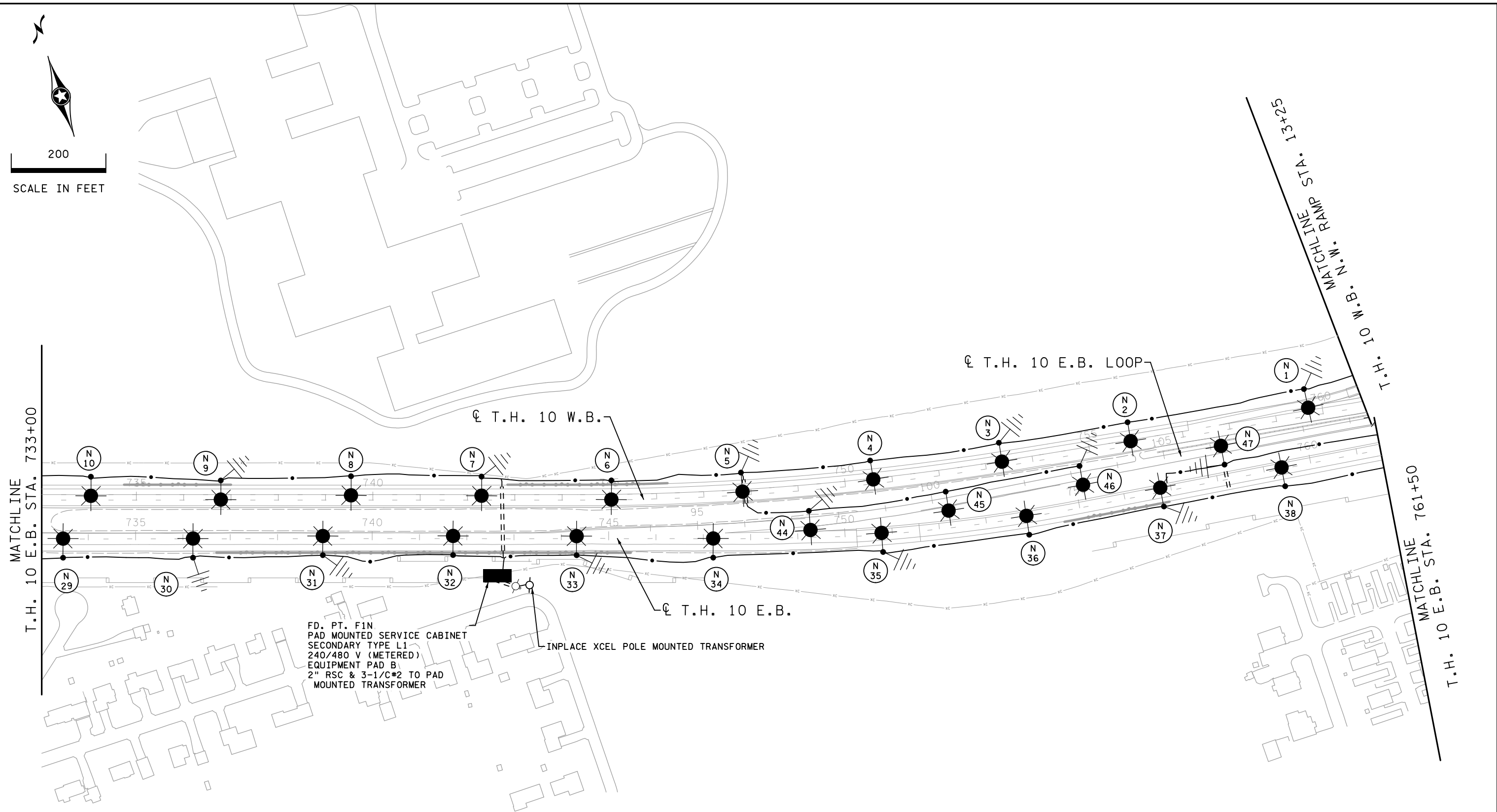
5:49:07 PM  
 12/17/2021  
 C:\Projects\2018\18005\CONSTRUCTION\Plan\_Sheets\cd6284180\_cb\_11200.dgn

0	05/22/19	AKS	MPM	RFC DP T-6
1	12/18/19	AKS	MPM	RFC DP T-5
2	12/03/21			RECORD DRAWING
NO	DATE	DWN	CKD	REVISIONS



**RECORD DRAWING NOTE:** THESE RECORD DRAWINGS WERE DEVELOPED BASED ON THE PREVIOUS DRAWING REVISIONS AND INFORMATION TRANSMITTED FROM THE FIELD BY OTHERS. THE INFORMATION CONTAINED WITHIN THIS RECORD AS-BUILT PLAN REPRESENTS THE ACTUAL CONDITIONS FOR ALL CHANGES OF WHICH ALLIANT IS AWARE. FUTURE USERS OF THESE DRAWINGS SHOULD VERIFY AS-BUILT CONDITIONS IN THE FIELD IN ALL CIRCUMSTANCES.

**LIGHTING PLANS**  
 FD. PT. F1N LAYOUT



FD. PT. F1N  
 PAD MOUNTED SERVICE CABINET  
 SECONDARY TYPE L1  
 240/480 V (METERED)  
 EQUIPMENT PAD B  
 2" RSC & 3-1/2" TO PAD  
 MOUNTED TRANSFORMER

INPLACE XCEL POLE MOUNTED TRANSFORMER

F1N METER ADDRESS: 2410 HIGHWAY 10 EAST, MOUNDS VIEW, MN 55112

2:48:46 PM 12/3/2021 \\projects\2018\18005\CONSTRUCTION\Plan\_Sheets\cd6284180\_cb\_11195.dgn

1	12/18/19	AKS	MPM	RFC DP T-5
2	05/27/20	AKS	MPM	FDC 194
3	12/03/21			RECORD DRAWING
NO	DATE	DWN	CKD	REVISIONS

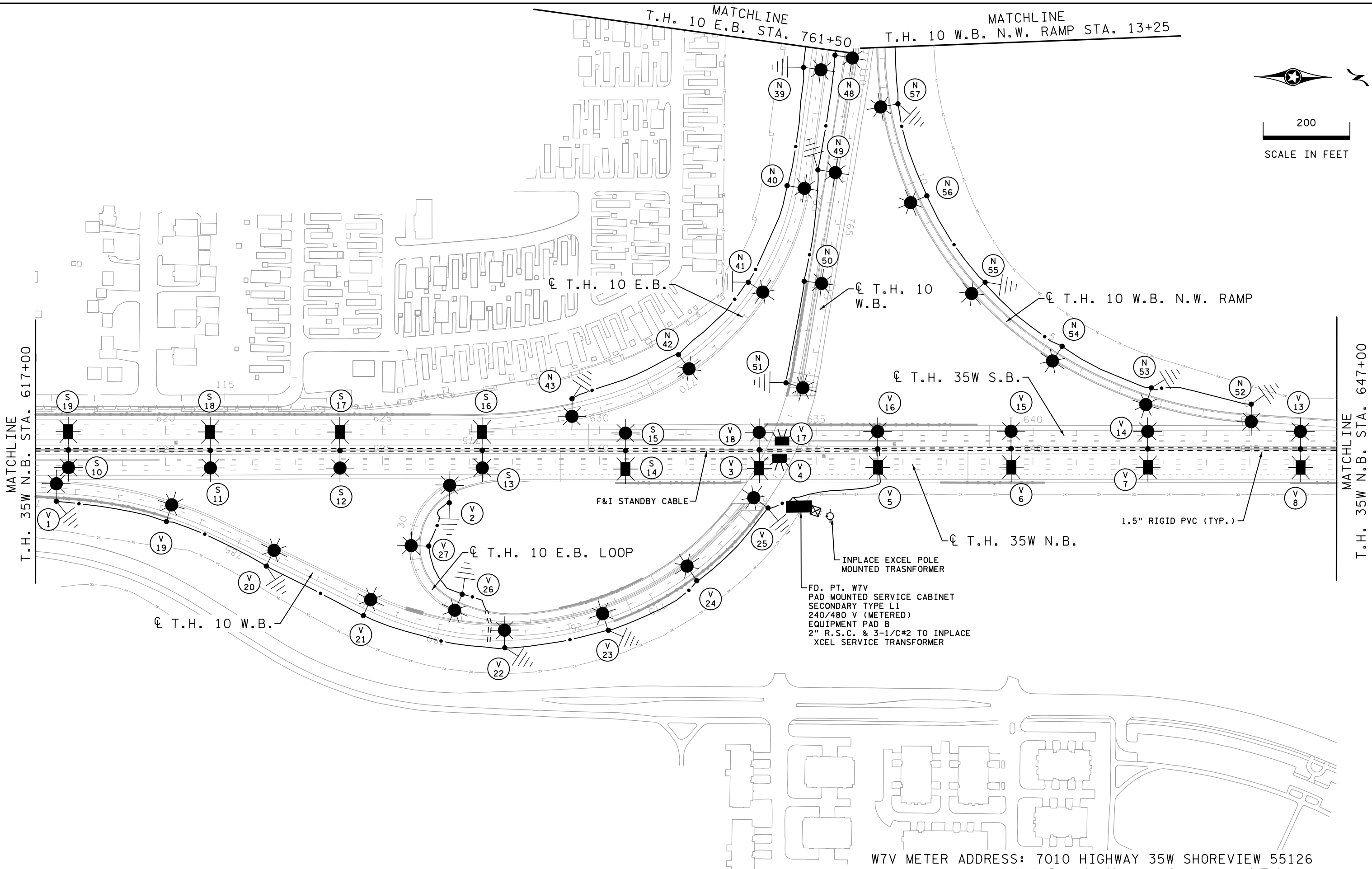
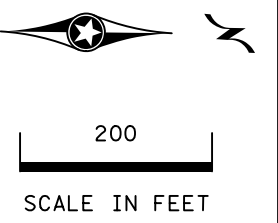


RECORD DRAWING NOTE: THESE RECORD DRAWINGS WERE DEVELOPED BASED ON THE PREVIOUS DRAWING REVISIONS AND INFORMATION TRANSMITTED FROM THE FIELD BY OTHERS. THE INFORMATION CONTAINED WITHIN THIS RECORD AS-BUILT PLAN REPRESENTS THE ACTUAL CONDITIONS FOR ALL CHANGES OF WHICH ALLIANT IS AWARE. FUTURE USERS OF THESE DRAWINGS SHOULD VERIFY AS-BUILT CONDITIONS IN THE FIELD IN ALL CIRCUMSTANCES.

LIGHTING PLANS  
 FD. PT. F1N LAYOUT

I-35W NORTH MNPASS DB (S.P. 6284-180)  
 SHEET NO. LL63 OF LL67 SHEETS

MATCHLINE T.H. 10 E.B. STA. 761+50 MATCHLINE T.H. 10 W.B. N.W. RAMP STA. 13+25



FD. PT. W7V  
 PAD MOUNTED SERVICE CABINET  
 SECONDARY TYPE L1  
 240/480 V (METERED)  
 EQUIPMENT PAD B  
 2" R.S.C. & 3-1/2" C#2 TO INPLACE  
 XCEL SERVICE TRANSFORMER

W7V METER ADDRESS: 7010 HIGHWAY 35W SHOREVIEW 55126

2:48:25 PM  
 12/3/2021  
 C:\Projects\2018\18005\CONSTRUCTION\Plan Sheets\cd6284180\_cb\_11160.dgn

2	12/18/19	AKS	MPM	RFC DP T-5
3	07/22/20	AKS	MPM	FDC 249
4	12/03/21			RECORD DRAWING
NO	DATE	DWN	CKD	REVISIONS



RECORD DRAWING NOTE: THESE RECORD DRAWINGS WERE DEVELOPED BASED ON THE PREVIOUS DRAWING REVISIONS AND INFORMATION TRANSMITTED FROM THE FIELD BY OTHERS. THE INFORMATION CONTAINED WITHIN THIS RECORD AS-BUILT PLAN REPRESENTS THE ACTUAL CONDITIONS FOR ALL CHANGES OF WHICH ALLIANT IS AWARE. FUTURE USERS OF THESE DRAWINGS SHOULD VERIFY AS-BUILT CONDITIONS IN THE FIELD IN ALL CIRCUMSTANCES.

LIGHTING PLANS  
 FD. PT. W7V LAYOUT

I-35W NORTH MNPASS DB (S.P. 6284-180)  
 SHEET NO. LL54 OF LL67 SHEETS

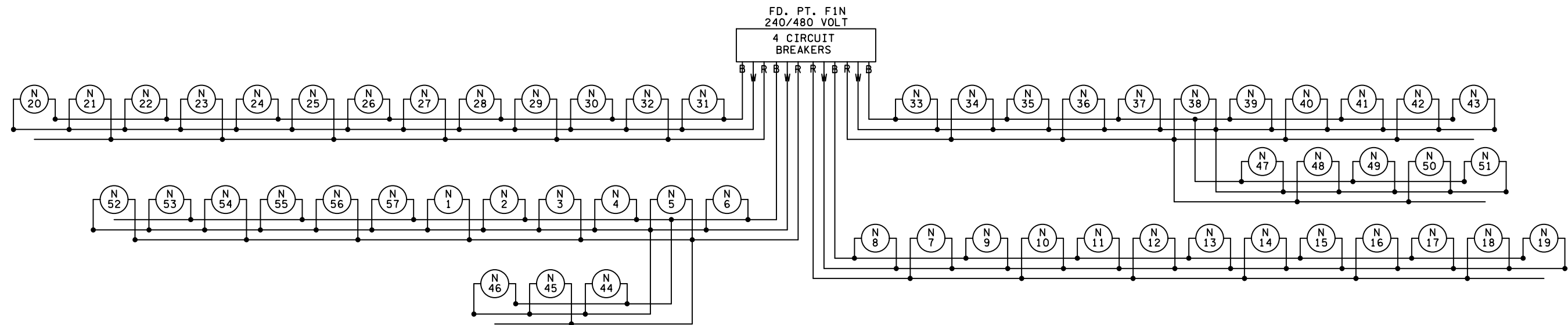
FEEDPOINT F1N  
LIGHTING STANDARDS AND FOUNDATIONS

NO.	STATION	LT.	RT.	LOCATION	TYPE	LUMINAIRE
1	759+68	-		T.H. 10 W.B.	9-49	49 FOOT
2	755+89	-		T.H. 10 W.B.	9-49	49 FOOT
3	753+35	-		T.H. 10 W.B.	9-49	49 FOOT
4	750+58	-		T.H. 10 W.B.	9-49	49 FOOT
5	747+81	-		T.H. 10 W.B.	9-49	49 FOOT
6	745+04	-		T.H. 10 W.B.	9-49	49 FOOT
7	742+29	-		T.H. 10 W.B.	9-49	49 FOOT
8	739+54	-		T.H. 10 W.B.	9-49	49 FOOT
9	736+79	-		T.H. 10 W.B.	9-49	49 FOOT
10	734+04	-		T.H. 10 W.B.	9-49	49 FOOT
11	731+14	-		T.H. 10 W.B.	9-49	49 FOOT
12	728+32	-		T.H. 10 W.B.	9-49	49 FOOT
13	725+51	-		T.H. 10 W.B.	9-49	49 FOOT
14	722+70	-		T.H. 10 W.B.	9-49	49 FOOT
15	719+93	-		T.H. 10 W.B.	9-49	49 FOOT
16	717+18	-		T.H. 10 W.B.	9-49	49 FOOT
17	714+49	-		T.H. 10 W.B.	9-49	49 FOOT
18	711+75	-		T.H. 10 W.B.	9-49	49 FOOT
19	709+07	-		T.H. 10 W.B.	9-49	49 FOOT
20	708+96	-		T.H. 10 E.B.	9-49	49 FOOT
21	711+84	-		T.H. 10 E.B.	9-49	49 FOOT
22	714+61	-		T.H. 10 E.B.	9-49	49 FOOT
23	717+56	-		T.H. 10 E.B.	9-49	49 FOOT
24	720+32	-		T.H. 10 E.B.	9-49	49 FOOT
25	723+04	-		T.H. 10 E.B.	9-49	49 FOOT
26	725+72	-		T.H. 10 E.B.	9-49	49 FOOT
27	728+42	-		T.H. 10 E.B.	9-49	49 FOOT
28	731+11	-		T.H. 10 E.B.	9-49	49 FOOT
29	733+46	-		T.H. 10 E.B.	9-49	49 FOOT

FEEDPOINT F1N  
LIGHTING STANDARDS AND FOUNDATIONS

NO.	STATION	LT.	RT.	LOCATION	TYPE	LUMINAIRE
30	736+21	-		T.H. 10 E.B.	9-49	49 FOOT
31	738+96	-		T.H. 10 E.B.	9-49	49 FOOT
32	741+71	-		T.H. 10 E.B.	9-49	49 FOOT
33	744+32	-		T.H. 10 E.B.	9-49	49 FOOT
34	747+21	-		T.H. 10 E.B.	9-49	49 FOOT
35	750+77	-		T.H. 10 E.B.	9-49	49 FOOT
36	753+86	-		T.H. 10 E.B.	9-49	49 FOOT
37	756+77	-		T.H. 10 E.B.	9-49	49 FOOT
38	759+38	-		T.H. 10 E.B.	9-49	49 FOOT
39	761+98	-		T.H. 10 E.B.	9-49	49 FOOT
40	764+74	-		T.H. 10 E.B.	9-49	49 FOOT
41	767+31	-		T.H. 10 E.B.	9-49	49 FOOT
42	769+79	-		T.H. 10 E.B.	9-49	49 FOOT
43	722+65	-		T.H. 10 E.B.	9-49	49 FOOT
44	97+38	-		T.H. 10 E.B. LOOP	9-49	49 FOOT
45	100+32	-		T.H. 10 E.B. LOOP	9-40	40 FOOT
46	103+21	-		T.H. 10 E.B. LOOP	9-40	40 FOOT
47	106+23	-		T.H. 10 E.B. LOOP	9-49	49 FOOT
48	109+64	-		T.H. 10 E.B. LOOP	9-49	49 FOOT
49	112+29	-		T.H. 10 E.B. LOOP	9-49	49 FOOT
50	114+88	-		T.H. 10 E.B. LOOP	9-49	49 FOOT
51	17+52	-		T.H. 10 E.B. LOOP	9-49	49 FOOT
52	645+03	-		T.H. 35W S.B.	9-49	49 FOOT
53	2+33	-		T.H. 10 W.B. N.W. RAMP	9-40	40 FOOT
54	4+68	-		T.H. 10 W.B. N.W. RAMP	9-40	40 FOOT
55	7+08	-		T.H. 10 W.B. N.W. RAMP	9-40	40 FOOT
56	9+58	-		T.H. 10 W.B. N.W. RAMP	9-40	40 FOOT
57	11+90	-		T.H. 10 W.B. N.W. RAMP	9-40	40 FOOT

B AND R DENOTE CURRENT CARRYING CONDUCTORS  
W DENOTES NEUTRAL CONDUCTOR



2:48:52 PM 12/3/2021 I:\Projects\2018\180051\CONSTRUCTION\Plan Sheets\cd6284180\_cb\_1\201.dgn

1	12/18/19	AKS	MPM	RFC DP T-5
2	05/27/20	AKS	MPM	FDC 194
3	12/03/21			RECORD DRAWING
NO	DATE	DWN	CKD	REVISIONS



RECORD DRAWING NOTE: THESE RECORD DRAWINGS WERE DEVELOPED BASED ON THE PREVIOUS DRAWING REVISIONS AND INFORMATION TRANSMITTED FROM THE FIELD BY OTHERS. THE INFORMATION CONTAINED WITHIN THIS RECORD AS-BUILT PLAN REPRESENTS THE ACTUAL CONDITIONS FOR ALL CHANGES OF WHICH ALLIANT IS AWARE. FUTURE USERS OF THESE DRAWINGS SHOULD VERIFY AS-BUILT CONDITIONS IN THE FIELD IN ALL CIRCUMSTANCES.

LIGHTING PLANS  
FD. PT. F1N CHART & WIRING DIAGRAM

I-35W NORTH MNPASS DB (S.P. 6284-180)  
SHEET NO. LL65 OF LL67 SHEETS