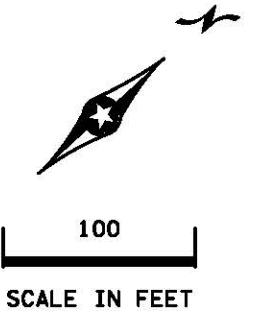


**LEGEND**

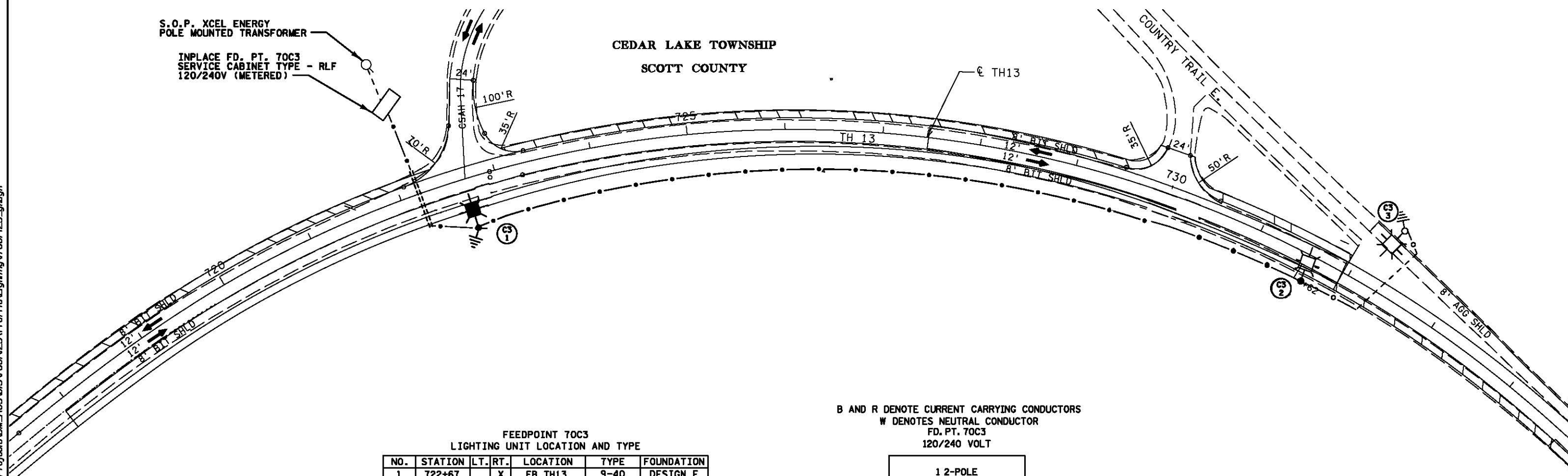
- INSTALL SALVAGED LIGHTING UNIT  
F. & I. LIGHT FOUNDATION DESIGN E
- PERMANENT GROUND ROD (25 OHMS OR LESS)
- DIRECT BURIED LIGHTING CABLE 4/C 4 AWG
- 3" PVC DIRECTIONALLY BORED
- INPLACE SERVICE CABINET
- INPLACE DIRECT BURIED LIGHTING CABLE
- INPLACE LIGHTING UNIT
- LIGHTING UNIT IDENTIFIER



**NOTES:**  
 REMOVE INPLACE LIGHTING CABLE FROM SERVICE CABINET TO POLE C3-1 AND BETWEEN POLES C3-1 & C3-2.  
 SALVAGE INPLACE LIGHTING UNIT C3-1 AND REMOVE LIGHT FOUNDATION.

PLOTTED/REVISED: 27-OCT-2021

I PLOT NAME: 700H-123.gi  
 PATH & FILENAME: Projects\DM\_R05\013\000123\TrafficLighting\700H-123.gi.dgn

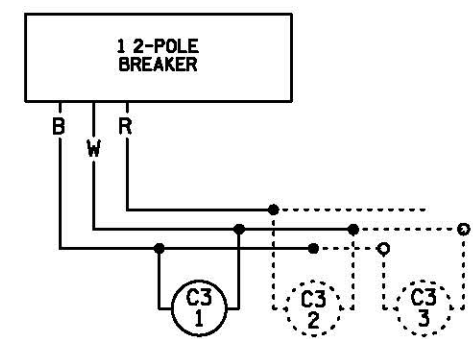


CEDAR LAKE TOWNSHIP  
 SCOTT COUNTY

FEEDPOINT 70C3  
 LIGHTING UNIT LOCATION AND TYPE

NO.	STATION	LT.	RT.	LOCATION	TYPE	FOUNDATION
1	722+67		X	EB TH13	9-40	DESIGN E
2	INPLACE		X	EB TH13	9-40	-
3	INPLACE	X		WB TH13	9-40	-

B AND R DENOTE CURRENT CARRYING CONDUCTORS  
 W DENOTES NEUTRAL CONDUCTOR  
 FD. PT. 70C3  
 120/240 VOLT



**AS-BUILT**  
 LIGHTING SYSTEM "A"

BY	DATE	REVISIONS	FEEDPOINT: 70C3	LOCATION: CSAH 17	
DRAWN BY: PB			CERTIFIED BY: <i>Gregory Kern</i>		
CKD BY: DDD			LIC. NO. 26829		
			DATE: 27-OCT-2021		
STATE PROJ. NO. 7001-123 (T.H. 13) SHEET NO. SL3 OF SL3 SHEETS					