

PLOTTED/REVISED: 12/20/2012


DISTRICT *: METRO
 IPLOT NAME: 18206-41J1H
 PATH & FILENAME: IP_PWP-d074458618206-41J1H.dgn

THE FOLLOWING STANDARD PLATES APPROVED BY THE MINNESOTA DEPT. OF TRANSPORTATION AND THE FEDERAL HIGHWAY ADMINISTRATION SHALL APPLY ON THIS PROJECT.

STANDARD PLATES	
PLATE NO.	DESCRIPTION
8119C	GROUND MOUNTED CABINET FOUNDATION
8127C	LIGHT BASE DESIGN E

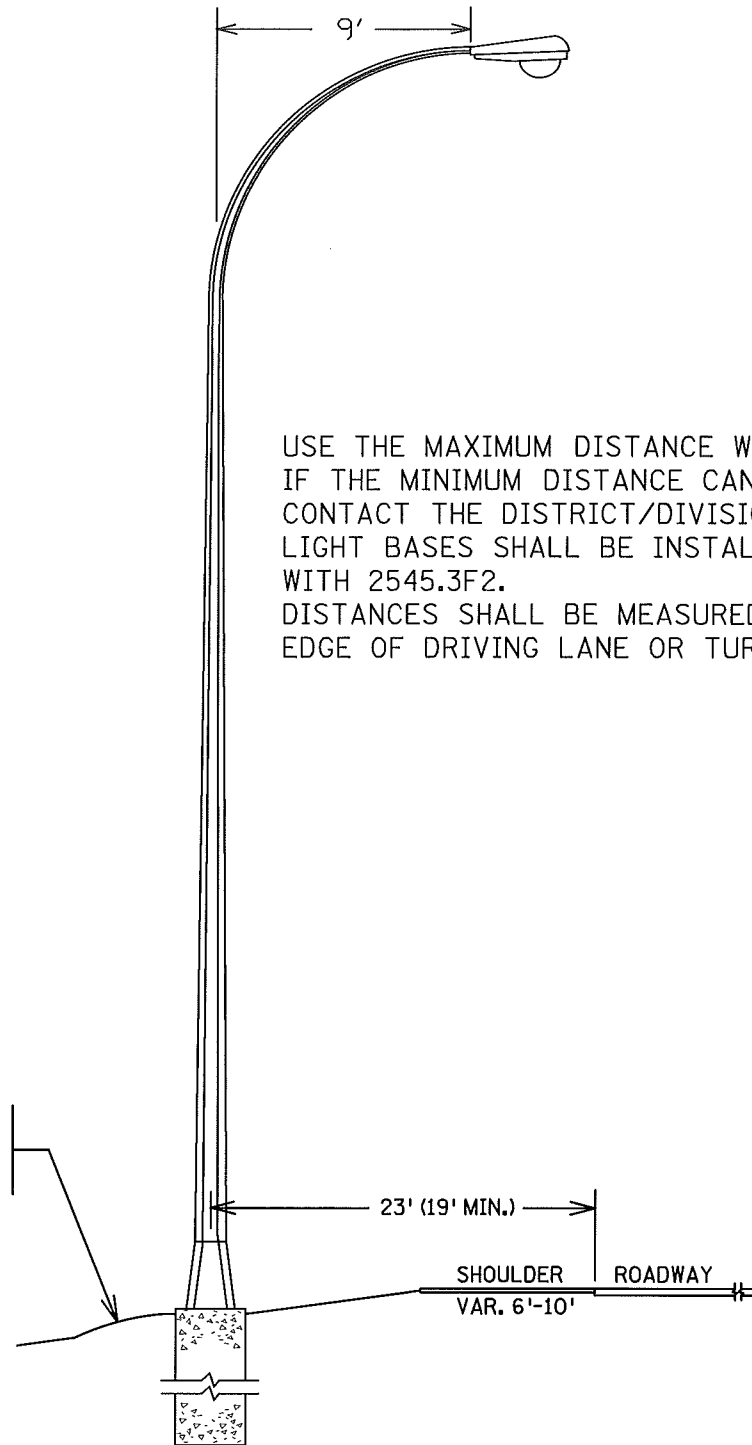
TAB SL	TABULATION of ESTIMATED QUANTITIES			
ITEM NO.	ITEM	UNIT	ESTIMATED QUANTITIES	
			S.P. 8206-41	S.P. 082-604-010
2545	ELECTRIC LIGHT SYSTEM	LUMP SUM	.72	.28

S.P. 082-604-010

BY	DATE	REVISIONS	I HEREBY CERTIFY THAT SHEETS <u>SL1</u> TO <u>SL3</u> HAVE BEEN PREPARED BY ME OR UNDER MY DIRECT SUPERVISION AND I AM A DULY LICENSED PROFESSIONAL ENGINEER UNDER THE LAWS OF THE STATE OF MINNESOTA.	 MICHAEL GERBENSKY DATE <u>12/20/2012</u> LIC. NO 19863	LIGHTING QUANTITIES	
DRAWN BY: PB	CKD BY: GB	DATE: 12/20/2012			STATE PROJ. NO. 8206-41 (T.H.61)	SHEET NO. SL1 OF SL3 SHEETS

PLOTTED/REVISED: 12/20/2012

DISTRICT: METRO
 PLOT NAME: 78206-41J12
 PATH & FILENAME: IP_PWP-0744586V18206-41J12.dgn

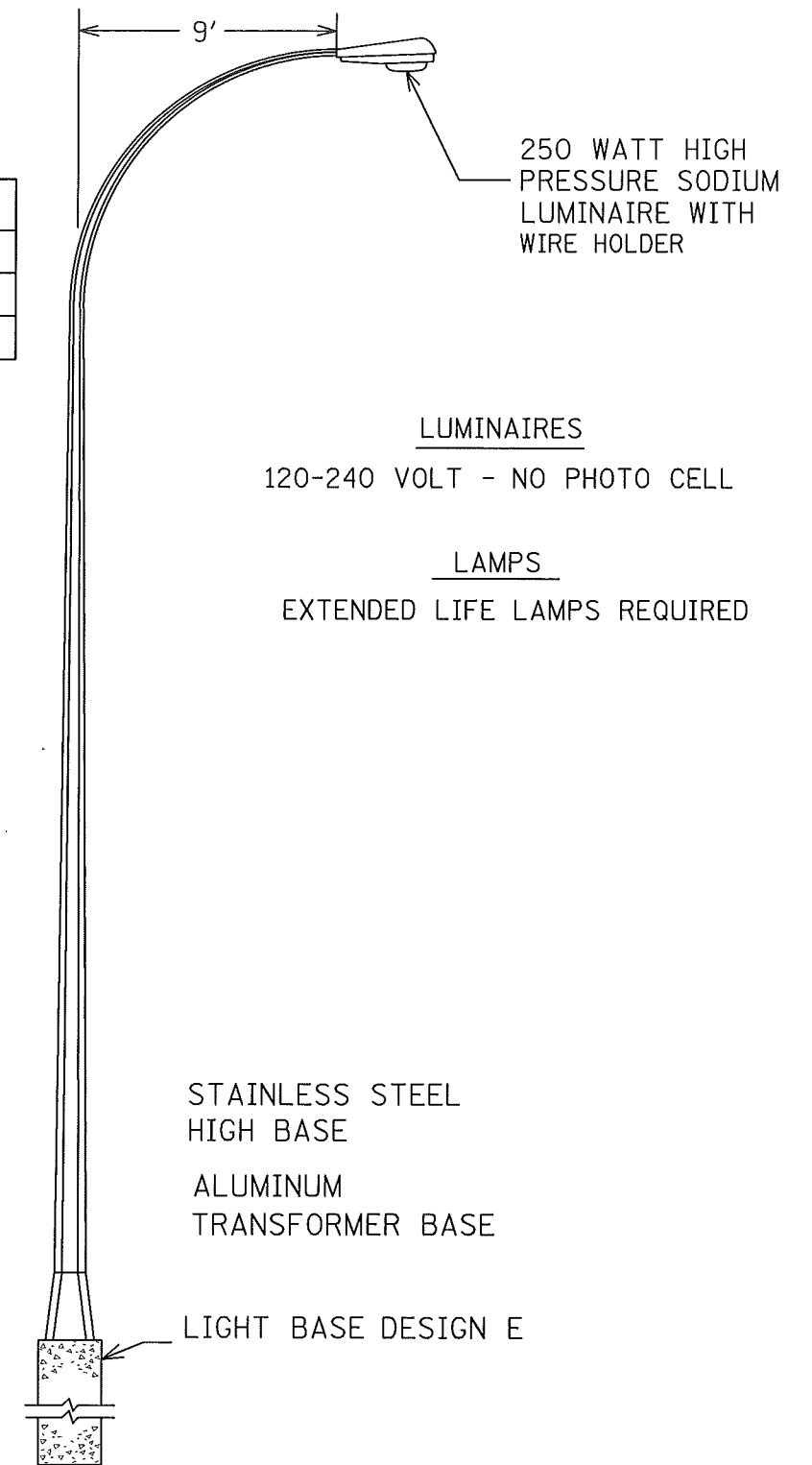


USE THE MAXIMUM DISTANCE WHENEVER POSSIBLE,
 IF THE MINIMUM DISTANCE CANNOT BE OBTAINED
 CONTACT THE DISTRICT/DIVISION TRAFFIC ENGINEER
 LIGHT BASES SHALL BE INSTALLED IN ACCORDANCE
 WITH 2545.3F2.
 DISTANCES SHALL BE MEASURED FROM THE
 EDGE OF DRIVING LANE OR TURN LANE.

PLACEMENT OF LIGHTING UNITS TYPE 9-40

RADIUS CHART (ENGLISH)

MAST ARM LENGTH	RADIUS
6	5
9	8
12	10



250 WATT HIGH
 PRESSURE SODIUM
 LUMINAIRE WITH
 WIRE HOLDER

LUMINAIRES
 120-240 VOLT - NO PHOTO CELL

LAMPS
 EXTENDED LIFE LAMPS REQUIRED

STAINLESS STEEL
 HIGH BASE
 ALUMINUM
 TRANSFORMER BASE

LIGHT BASE DESIGN E

LIGHTING UNIT TYPE 9-40

(BREAKAWAY)



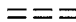
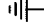


S.P. 082-604-010

BY	DATE	REVISIONS
DRAWN BY: PB	CKD BY: GB	DATE: 12/2012

CERTIFIED BY *Michael P. Lubensky* LIC. NO. 19863 DATE: 12/20/2012
LICENSED PROFESSIONAL ENGINEER

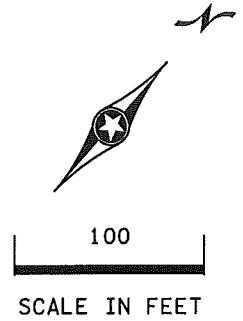
LIGHTING DETAILS
 STATE PROJ. NO. 8206-41 (T.H. 61) SHEET NO. SL2 OF SL3 SHEETS

LEGEND

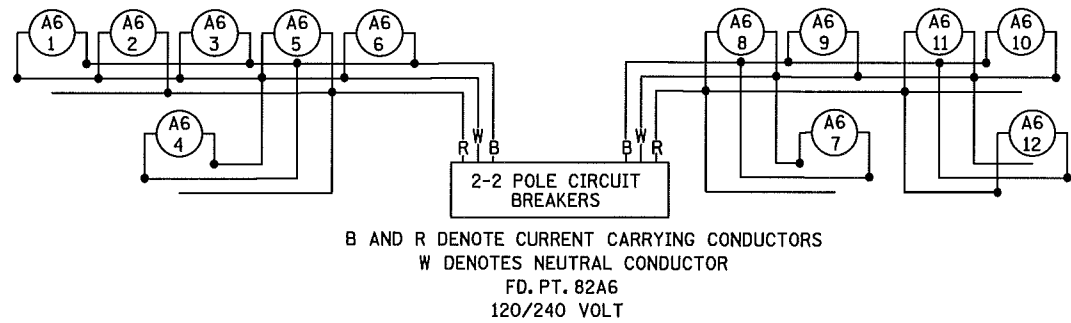
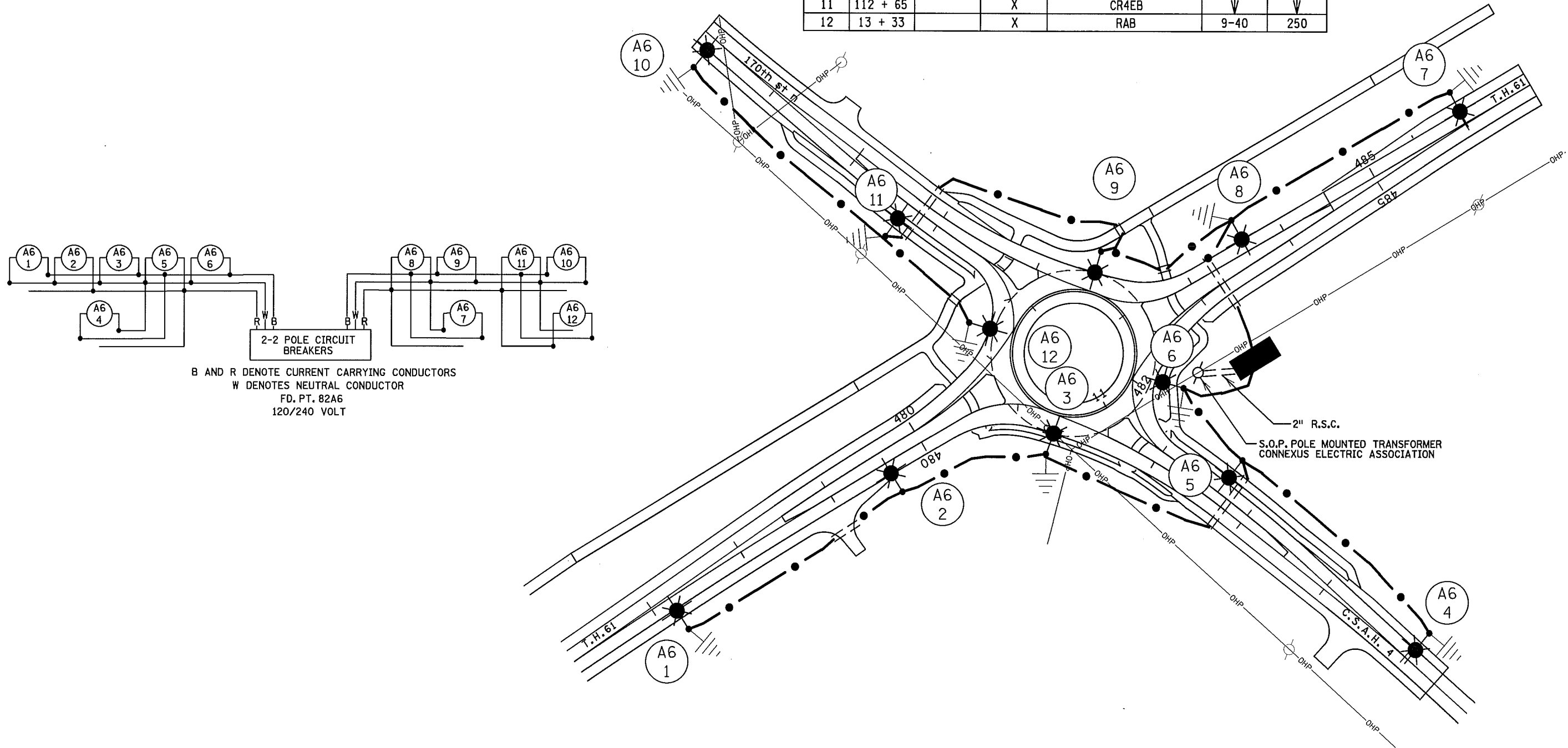
-  LIGHTING UNIT TYPE 9-40 & LIGHT BASE DESIGN E
-  DIRECT BURIED CABLE 4 CONDUCTOR NO. 4
-  3" P.V.C. CONDUIT
-  PERMANENT GROUND ROD (25 OHMS OR LESS)
-  PAD MOUNTED FEEDPOINT
-  -OHP- INPLACE OVERHEAD POWER LINES

**FEEDPOINT 82A6
LIGHTING STANDARDS AND BASES**

NO.	STATION	LT.	RT.	LOCATION (ALI)	TYPE	WATTAGE
1	477 + 20		X	NB61	9-40	250
2	479 + 60		X	NB61	↑	↑
3	10 + 53		X	RAB		
4	119 + 05	X		CSAH4WB		
5	116 + 65	X		CSAH4WB		
6	11 + 43		X	RAB		
7	486 + 00	X		61SB2		
8	483 + 60	X		61SB2		
9	12 + 40		X	RAB		
10	110 + 30		X	CR4EB		
11	112 + 65		X	CR4EB		
12	13 + 33		X	RAB	9-40	250



PLOTTED/REVISED: 12/20/2012



DISTRICT #: METRO
I/PLOT NAME: 18206-41J1
PATH & FILENAME: IP_PWP-00744586\18206-41J1.dgn

S.P. 082-604-010

BY	DATE	REVISIONS	FEEDPOINT: 82A6 LOCATION: C.S.A.H. 4 METER ADDRESS: 16995 FOREST BLVD N, HUGO, 55038	LIGHTING PLAN	
DRAWN BY: PB	CKD BY: GB	DATE: 12/2012	CERTIFIED BY: <i>Michael P. Lubinsky</i> LICENSED PROFESSIONAL ENGINEER	LIC. NO. 19863	DATE: 12/20/2012
			STATE PROJ. NO. 8206-41 (T.H. 61)		SHEET NO. SL3 OF SL3 SHEETS