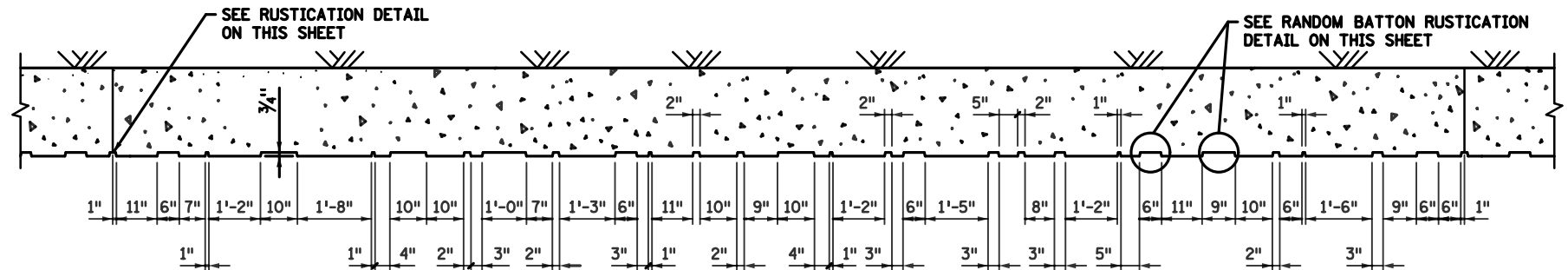
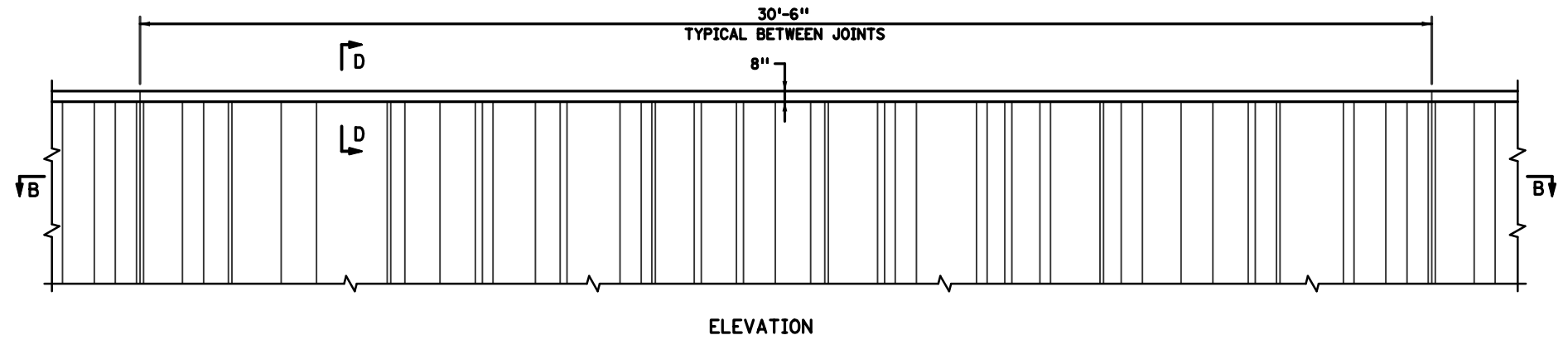
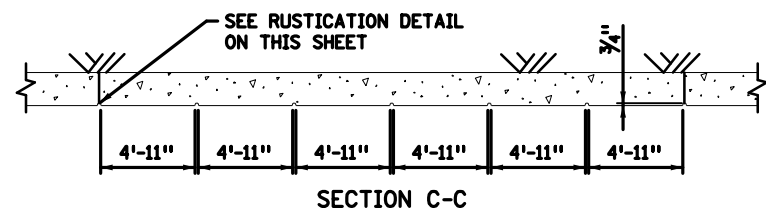
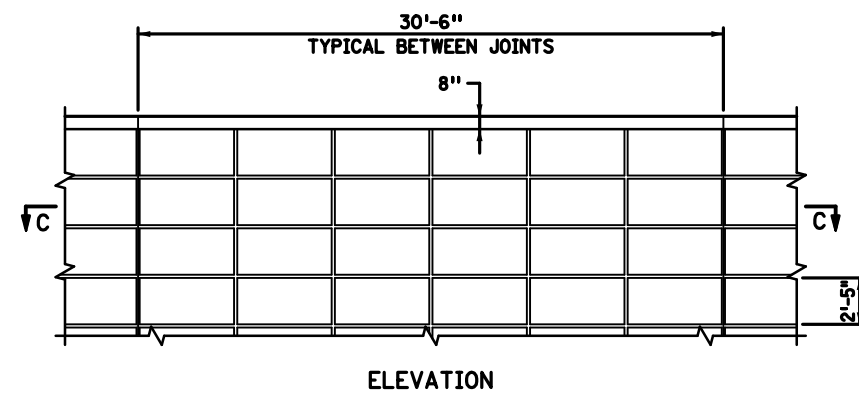


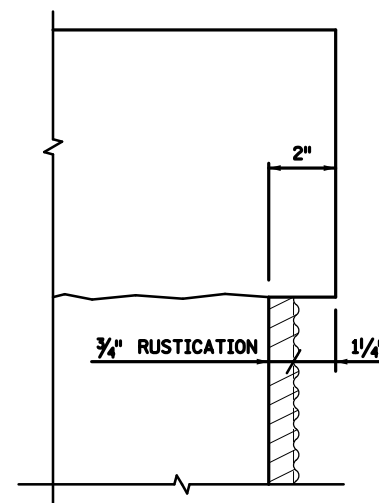
INSET PANEL DESIGN



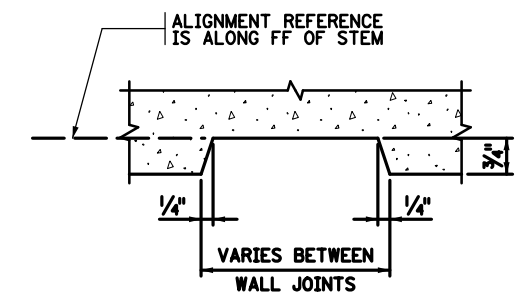
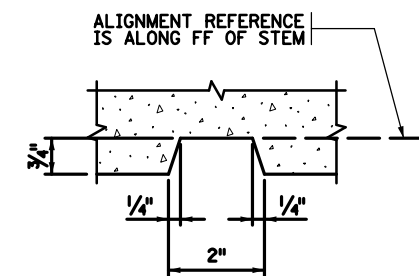
RANDOM BATTEN DESIGN



STACKED BLOCK DESIGN



SECTION D-D



GENERAL NOTES

THE PATTERN OF PANELS SHALL BE ADJUSTED SO THAT ALL EXPANSION, CONTRACTION AND CONSTRUCTION JOINTS WILL BE RUSTICATIONS. ALL CONSTRUCTION JOINTS SHALL BE REPAIRED AND POINTED TO PRESENT A SATISFACTORY APPEARANCE.

LEAD EXPERT OFFICE
NANCY DAUBENBERGER
STATE BRIDGE ENGINEER



CONCRETE RETAINING WALL RUSTICATION

APPROVED: 08-27-2014
REVISED:

CHRISTOPHER ROY
STATE DESIGN ENGINEER

STANDARD PLAN
5-297.638

1 OF 1

STANDARD PLAN

STATE PROJ. NO.
TRUNK HWY.

SHEET NO.
TOTAL SHEETS