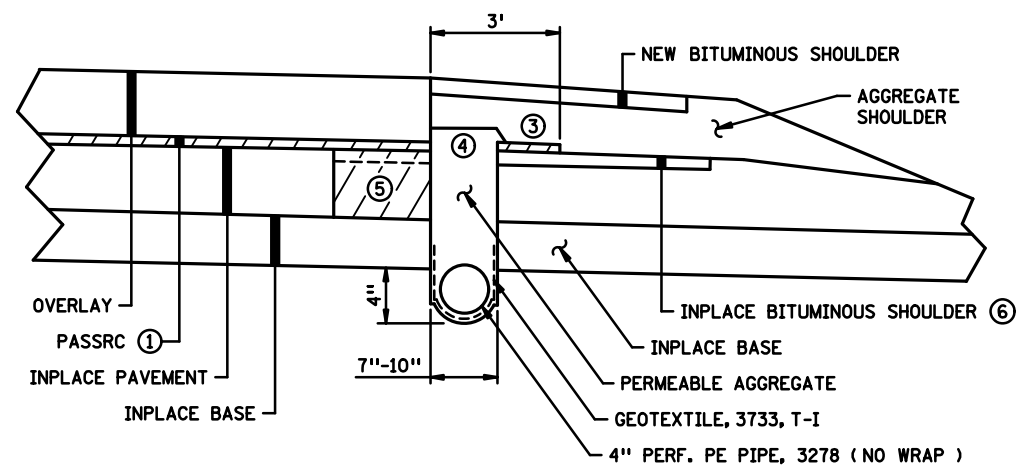


SUBSURFACE DRAIN, WIDENED PAVEMENT DESIGN WITH PAVEMENT EDGE DRAIN ①

NOTES:

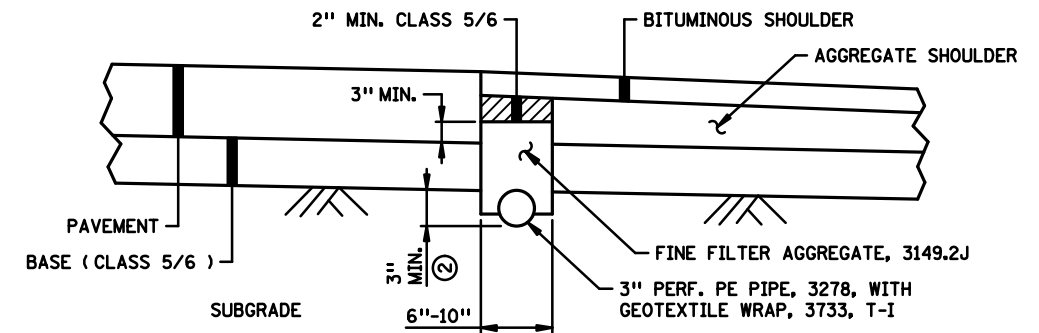
- ① SEE SPECIAL PROVISIONS FOR MATERIAL AND CONSTRUCTION DETAILS.
- ② PERMEABLE BASE SHOULD OVERLAP PAVEMENT MAXIMUM AMOUNT PERMITTED BY STRUCTURAL DESIGN, BUT BOTTOM SHOULD NOT BE ABOVE THE BOTTOM OF INPLACE PAVEMENT.
- ③ AS REQUIRED BY DESIGN STANDARDS.
PASB - PERMEABLE ASPHALT STABILIZED BASE.
OGAB - OPEN GRADED AGGREGATE BASE.
PAB - OPTION
- ④ DRAIN SHALL BE PAVEMENT EDGE DRAIN TYPE. AFTER COMPACTION, FINE FILTER AGGREGATE IN DRAIN SHALL EXTEND AT LEAST 4" ABOVE THE BOTTOM OF THE FUTURE PERMEABLE AGGREGATE BASE.
- ⑤ GEOTEXTILE MAY BE DELETED IF CLASS 5 OR 6 BASE EXISTS INPLACE UNDER PERMEABLE BASE.
- ⑥ IF CLASS 5 OR 6 BASE IS INPLACE BELOW THE PAB, BOTTOM OF PIPE SHOULD BE A MINIMUM OF 3" BELOW BASE/SUBGRADE INTERFACE OR A MINIMUM OF 8", WHICHEVER IS DEEPER.



SUBSURFACE DRAIN, PERMEABLE BASE & DRAIN USED WITH PASSRC ①②

NOTES:

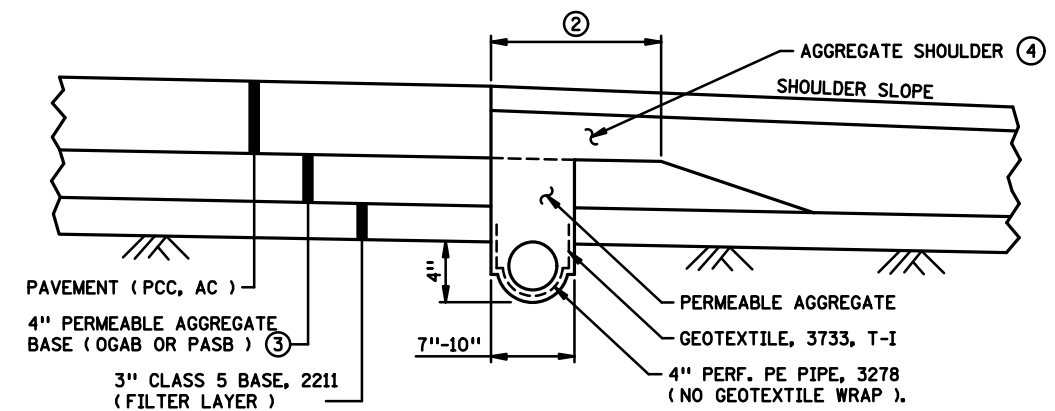
- ① PASSRC - PERMEABLE ASPHALT STABILIZED STRESS RELIEF COURSE.
- ② SEE SPECIAL PROVISIONS FOR MATERIAL AND CONSTRUCTION DETAILS.
- ③ WIDTH AS NEEDED TO SUPPORT PAVER TRACK.
- ④ PERMEABLE AGGREGATE TO BE HEAPED 2" ABOVE TOP OF PASSRC AFTER COMPACTION.
- ⑤ INTERCEPTOR DRAINS TYPICALLY USED AT THIS LOCATION. SEE DETAIL & SPECIAL PROVISIONS IF APPLICABLE.
- ⑥ IF THE BITUMINOUS SHOULDER REMAINS INPLACE, THE PASSRC AND SHOULDER CAN BE REMOVED BY MILLING, TRENCHING, OR OTHER METHOD, PROVIDED THE REMAINING BITUMINOUS SHOULDER IS NOT DISTURBED/DISPLACED.



SUBSURFACE DRAIN, PAVEMENT EDGE DRAIN TYPE ①

NOTES:

- ① SEE SPECIAL PROVISIONS FOR MATERIAL AND CONSTRUCTION DETAILS.
- ② DESIGN FOR 15" COVER FROM TOP OF PIPE TO TOP OF SHOULDER (12" MINIMUM).



SUBSURFACE DRAIN, PERMEABLE AGGREGATE BASE TYPE ① (RIGHT SIDE OF ROADWAY SHOWN)

NOTES:

- ① SEE SPECIAL PROVISIONS FOR MATERIAL AND CONSTRUCTION DETAILS. TYPICAL SECTION SHOWN IS FOR PERMEABLE ASPHALT STABILIZED BASE (PASB). DRAIN TRENCH FOR OPEN GRADED AGGREGATE BASE (OGAB) IS MOVED 6" AWAY FROM THE PAVEMENT EDGE.
- ② USE 36" FOR EITHER PASB OR OGAB UNDER PCC PAVEMENT. USE 12" FOR PASB UNDER AC PAVEMENT.
- ③ OGAB - OPEN GRADED AGGREGATE BASE. PASB - PERMEABLE ASPHALT STABILIZED BASE. USE PASB WITH AC PAVEMENTS. USE PASB OR OGAB WITH PCC PAVEMENTS.
- ④ CLASS 3, 5 OR 6, AS SPECIFIED

LEAD EXPERT OFFICE	GLENN ENGSTROM DIRECTOR OFFICE OF MATERIALS & ROAD RESEARCH		SUBSURFACE DRAINS	APPROVED: 08-06-2014 REVISED:	 CHRISTOPHER ROY STATE DESIGN ENGINEER	STANDARD PLAN	1 OF 1
						5-297.432	
			STANDARD PLAN			STATE PROJ. NO.	SHEET NO.
						TRUNK HWY.	TOTAL SHEETS