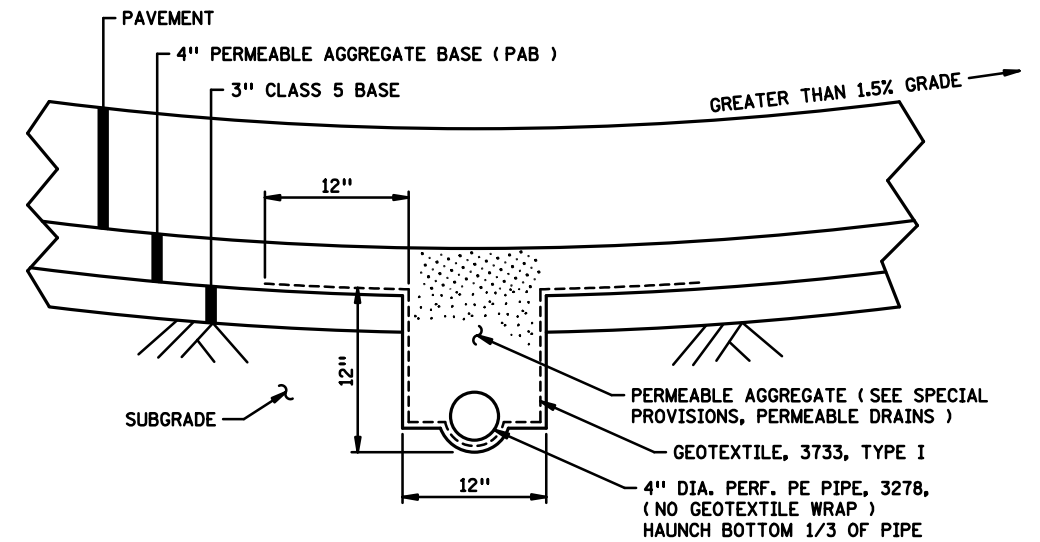


**TYPICAL PAB DRAIN BEHIND CURBS**

**CONSTRUCTION NOTES:**

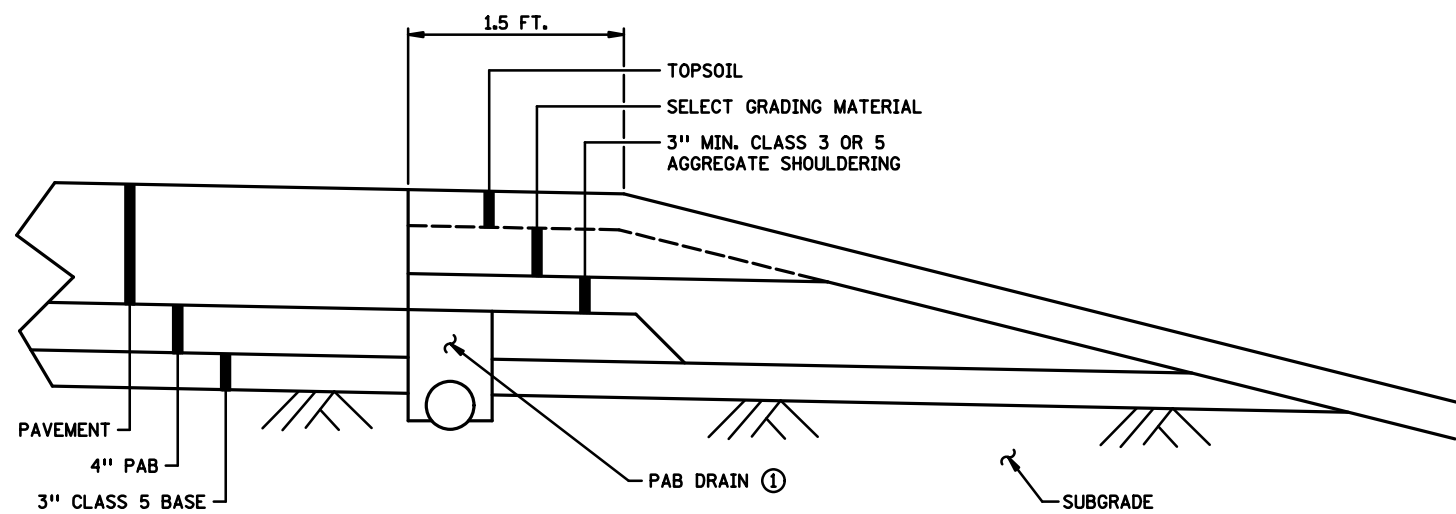
- ① DRAIN MAY BE CONSTRUCTED BEFORE OR AFTER CURB IS IN PLACE. IF PLACED AFTER CURB IS IN PLACE, INSIDE EDGE OF TRENCH MUST BE 6" BEHIND CURB AND BE TRENCHED BEFORE PLACEMENT OF SELECT GRADING MATERIAL OR TOPSOIL.



**TYPICAL LOW POINT TRANSVERSE PAB DRAIN**

**CONSTRUCTION NOTES:**

- OUTLET TO BOTH SIDES OF ROADWAY.
- FOOTAGE INCLUDED FOR PAYMENT IN PAB DRAINS.
- SEE SPECIAL PROVISIONS FOR PERMEABLE AGGREGATE BASE DRAINS FOR MATERIAL AND CONSTRUCTION DETAILS.



**TYPICAL PAB DRAIN, TURN AND BYPASS LANES**

**CONSTRUCTION NOTES:**

- ① SEE SPECIAL PROVISIONS FOR DRAIN CONSTRUCTION SEQUENCE.

LEAD EXPERT OFFICE  
GLENN ENGSTROM  
DIRECTOR  
OFFICE OF MATERIALS & ROAD RESEARCH



SUBSURFACE DRAINS

APPROVED: 08-06-2014  
REVISED:

*Christopher Roy*  
CHRISTOPHER ROY  
STATE DESIGN ENGINEER

STANDARD PLAN  
5-297.431

1 OF 1

STANDARD PLAN

STATE PROJ. NO.

SHEET NO.

TRUNK HWY.

TOTAL SHEETS