

FEEDPOINT A05H

LIGHTING UNIT LOCATION AND TYPE					
NO.	STATION	LT.	RT.	LOCATION	FOUNDATION
1	637+67	X	X	BRIDGE 9420 PIER LEG	L
2				MEDIAN BARRIER	9BD-49
25				MEDIAN BARRIER	9BD-49
3				MEDIAN BARRIER	9BD-49
24				MEDIAN BARRIER	9BD-49
4				MEDIAN BARRIER	9BD-49
23				MEDIAN BARRIER	9BD-49
5			X	BRIDGE 9421 PIER LEG	L
22		X		BRIDGE 9421 PIER LEG	L
6				MEDIAN BARRIER	9BD-49
21				MEDIAN BARRIER	9BD-49
7					
20					
8					
19					
9					
18					
10				MEDIAN BARRIER	9BD-49
17				MEDIAN BARRIER	9BD-49
27	10+65	X		RAMP DD	6B-40 INPLACE
28	13+09	X		RAMP DD	6B-40 INPLACE
29	15+52	X		RAMP DD	6B-40 INPLACE
30	17+98	X		RAMP DD	9-40 DESIGN E
31	16+66	X		RAMP CC	
32	14+84	X		RAMP CC	
33	12+70	X		RAMP CC	
34	10+75	X		RAMP CC	9-40 DESIGN E

LEGEND

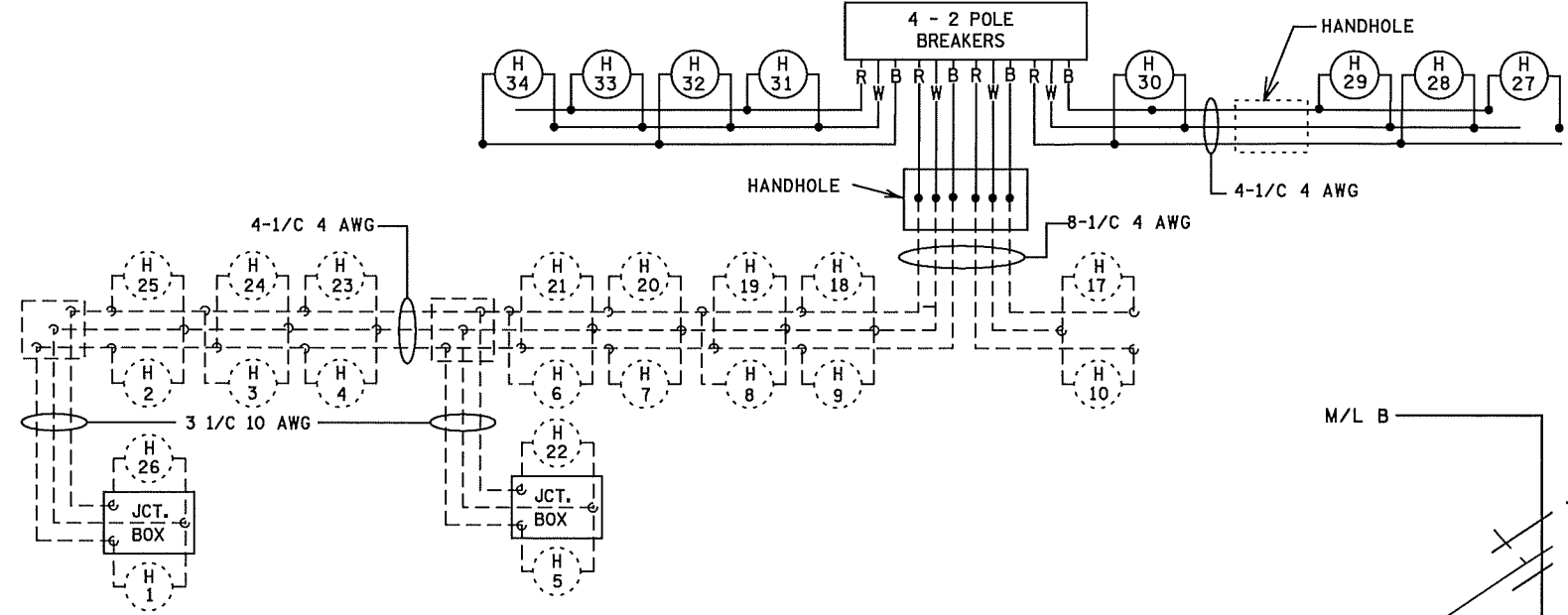
- INSTALL SALVAGED FD. PT. CABINET
- REMOVE/REPLACE HANDHOLE
- DIRECT BURIED LIGHTING CABLE 4/C 4 AWG
- ||| PERMANENT GROUND ROD (25 OHMS OR LESS)
- === 3" PVC (UNLESS OTHERWISE NOTED)
- ★ LIGHTING UNIT
- (X) LIGHTING UNIT IDENTIFIER
- ★ INPLACE LIGHTING UNIT
- INPLACE HANDHOLE
- INPLACE UNDERPASS LIGHT

FEEDPOINT A05F

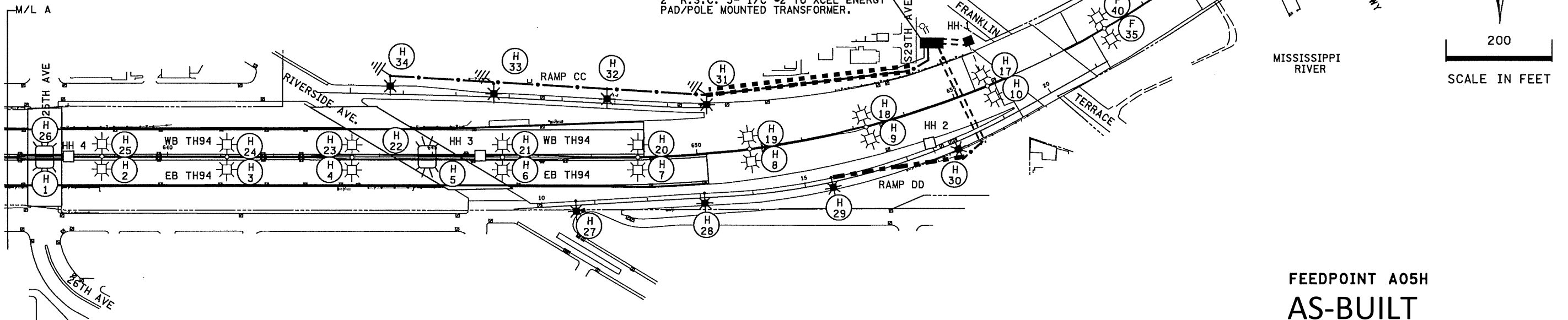
LIGHTING UNIT LOCATION AND TYPE					
NO.	STATION	LT.	RT.	LOCATION	FOUNDATION
1				MEDIAN BARRIER	9BD-49
10				MEDIAN BARRIER	9BD-49
2				MEDIAN BARRIER	9BD-49
9				MEDIAN BARRIER	9BD-49
37				MEDIAN BARRIER	9BD-49
38				MEDIAN BARRIER	9BD-49
36				MEDIAN BARRIER	9BD-49
39				MEDIAN BARRIER	9BD-49
35				MEDIAN BARRIER	9BD-49
40				MEDIAN BARRIER	9BD-49

W DENOTES NEUTRAL CONDUCTOR  
B AND R DENOTE CURRENT CARRYING CONDUCTORS  
DASHED LINES DENOTE INPLACE ITEMS

FD. PT. A05H  
240/480 VOLT



FD. PT. A05H  
PAD MOUNTED SERVICE CABINET  
SECONDARY TYPE L1  
240/480 V (METERED)  
EQUIPMENT PAD TYPE B REQUIRED  
2" R.S.C. 3- 1/C #2 TO XCEL ENERGY  
PAD/POLE MOUNTED TRANSFORMER.



FEEDPOINT A05H  
AS-BUILT

BY	DATE	REVISIONS

FEEDPOINT: A05H LOCATION: DARTMOUTH BRIDGE  
METER ADDRESS: 2910 8TH ST., S MINNEAPOLIS 55455

CERTIFIED BY *Michael P. Lubensky* LIC. NO. 19863 DATE: 30-JAN-2020  
LICENSED PROFESSIONAL ENGINEER

**LIGHTING PLAN**

STATE PROJ. NO. 2781-468 (T.H. 94) SHEET NO. SL10 OF SL12 SHEETS

PLOTTED/REVISED: 30-JAN-2020

DISTRICT #: Metro  
PLOT NAME: 12781-468\_lit\_lo  
PATH & FILENAME: Projects\DM\_RCS\094\2781-468\Traffic\Lighting\2781-468\_lit\_lo.dgn