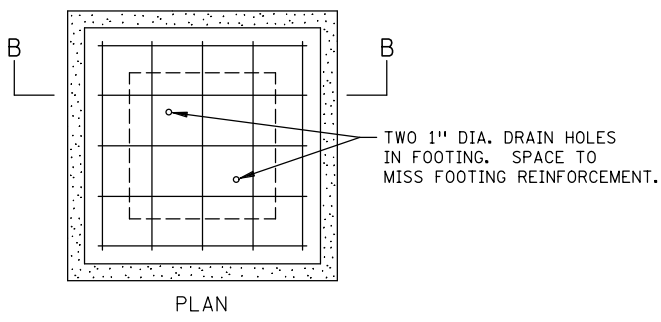
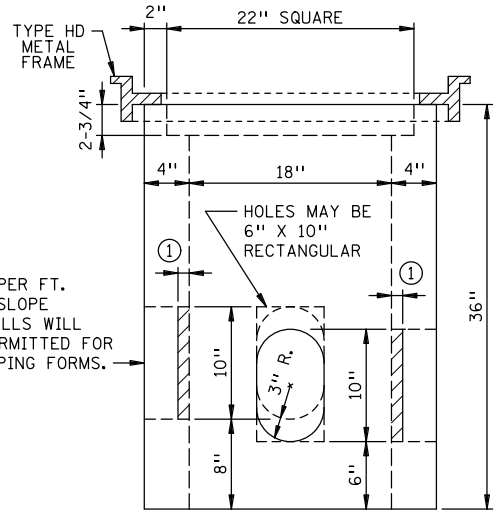
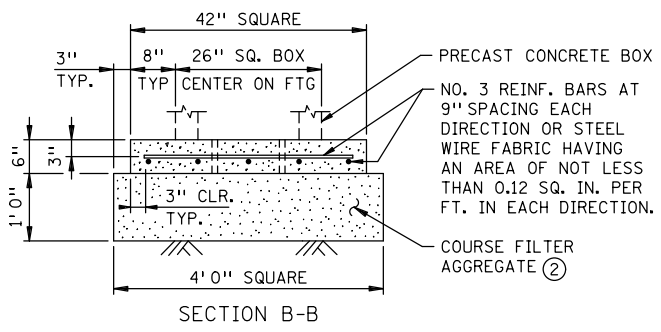


TYPE HD - METAL FRAME AND COVER
SPEC. 3321



- NOTES:
- TYPE HD METAL FRAMES AND COVERS SHALL BE COATED WITH MANUFACTURER'S SHOP COAT OF ASPHALT PAINT.
 - AFTER HANDHOLE AND CONDUIT INSTALLATION, ALL INSIDE HANDHOLE SIDE WALLS SHALL BE MADE WATER TIGHT BY PATCHING WITH CONCRETE TO THE SATISFACTION OF THE ENGINEER.
 - FOOTING MAY BE PRECAST OR CAST-IN-PLACE.
 - METAL FRAME AND COVER SHALL BE INDEPENDENTLY GROUNDED IN ACCORDANCE WITH THE NATIONAL ELECTRICAL CODE (NEC) 314.30.
 - EXCAVATIONS AND BACKFILLING SHALL BE IN ACCORDANCE WITH 2451.
 - F&I HANDHOLE IN ACCORDANCE WITH 2565.3E.
 - F&I CONDUITS IN ACCORDANCE WITH 2565.3D.
 - F&I END BELL FITTINGS ON RIGID PVC CONDUIT IN ACCORDANCE WITH 2565.3D.
 - EMBOSS "MnDOT SIGNALS" ON THE COVER FOR TRAFFIC SIGNAL CONTROL PROJECTS.
 - EMBOSS "MnDOT LIGHTING" ON THE COVER FOR ROADWAY LIGHTING PROJECTS.
 - EMBOSS "MnDOT TMS" ON THE COVER FOR ITS PROJECTS.



"HD" CONCRETE FOOTING

- ① 1" ± 1/4" CONCRETE ON INSIDE WALL OF ACCESS HOLES TO BE KNOCKED OUT AS NEEDED. A 3/4" HOLE IS PERMITTED IN KNOCKOUT WALLS FOR INSTALLATION.
- ② PLACE 4' X 4' X 1' COARSE FILTER AGGREGATE, SPEC. 3149 UNDER FOOTING.

APPROVED JUNE 2, 2014

Christina Ry
STATE DESIGN ENGINEER

STATE OF MINNESOTA
DEPARTMENT OF TRANSPORTATION

PRECAST CONCRETE HANDHOLE
WITH VEHICLE LOAD

SPECIFICATION
REFERENCE
3622

STANDARD
PLATE
NO.
8117G