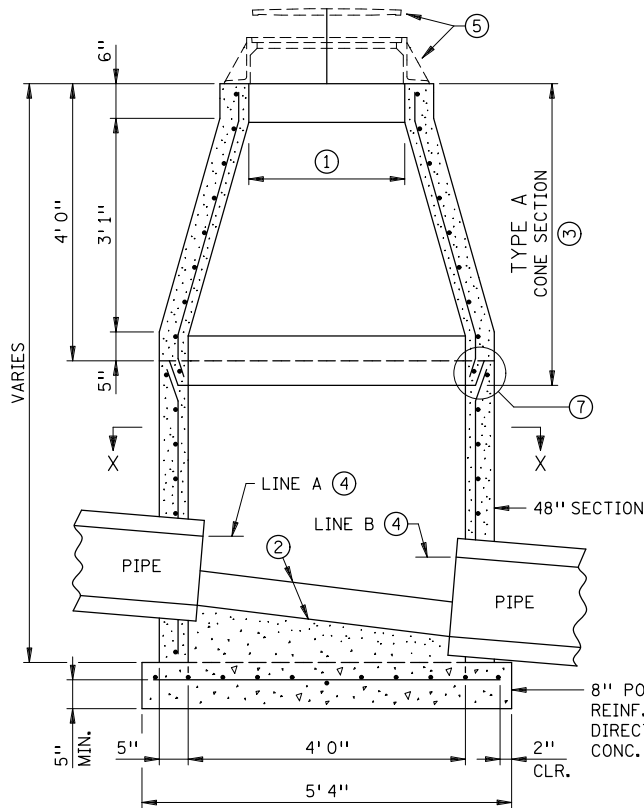
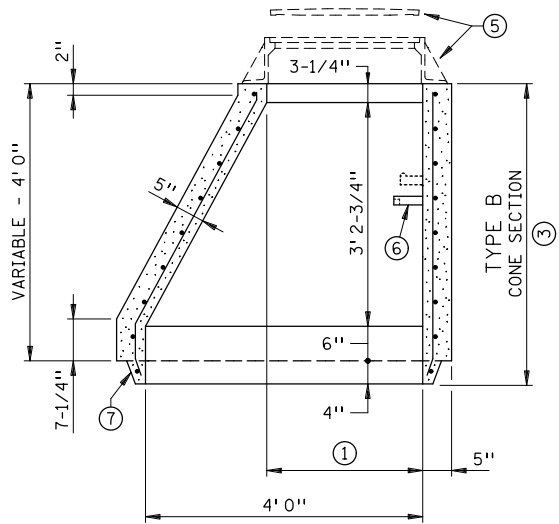


SECTION X-X



SECTIONAL VIEW  
TYPE A CONE



SECTIONAL VIEW  
TYPE B CONE  
SEE TYPE A CONE FOR ADDITIONAL INFORMATION

8" POURED CONCRETE BASE. BASE REINF. IS 0.12 SQ. IN. PER FT. IN EACH DIRECTION. FOR ALTERNATE PRECAST CONC. BASE, SEE STANDARD PLATE 4011.

NOTES:

REINFORCING: SINGLE LINE STEEL WIRE FABRIC HAVING AN AREA OF NOT LESS THAN 0.12 SQ. IN. PER FOOT OF HEIGHT.

- ① 2' 3" NOMINAL OPENING.
- ② PROVIDE MORTAR FILLETS TO FIT THE BOTTOM PORTION OF PIPE TO DIRECT FLOW TO OUTLET.
- ③ TYPE A CONE SECTION SHALL BE USED UNLESS OTHERWISE INDICATED IN THE PLANS. FOR SHORT CONE SECTION USE TYPE C. SEE STANDARD PLATE 4010.

- ④ THE ELEV. OF LINE A SHALL BE EQUAL TO OR ABOVE LINE B.
- ⑤ REFER TO PLAN FOR CASTINGS REQUIRED. USE ADJUSTING RINGS WHERE NECESSARY, SEE STANDARD PLATES INDEX. CASTING AND PRECAST CONC. ADJUSTING RINGS SHALL BE SET ON FULL MORTAR BEDS. NO PIPE OR STRUCTURE ALLOWED ABOVE TOP OF CONE.
- ⑥ REFER TO PLANS FOR ANY STEP REQUIREMENTS.
- ⑦ SEE STANDARD PLATES INDEX FOR OTHER APPROVED JOINTS.

DESIGN F

APPROVED APRIL 16, 2014

*Christopher Ry*  
STATE DESIGN ENGINEER

STATE OF MINNESOTA  
DEPARTMENT OF TRANSPORTATION  
**MANHOLE OR CATCH BASIN**  
TYPE A & B CONE SECTIONS  
PRECAST

SPECIFICATION  
REFERENCE  
2506

STANDARD  
PLATE  
NO.

4005M