

NUMBER	SIZE (FT)	LOCATION
D1-1	2-6X6	20 & 50
D1-2	2-6X6	5 & 35
D2-1, D6-1	6X6	250
D8-1	6X6	120
D8-2	6X6	5
D8-3	2-6X6	5 & 20

-ALL LOOP DETECTORS ARE PVC  
 -LOCATION: DISTANCE FROM CROSSWALK /STOP BAR IN FEET

**(A) EQUIPMENT PAD SERVICE CABINET CONTROLLER AND CABINET**  
 4" PVC TO HH 1: 2" PVC TO HH 11:  
 4-12/C #14 3-12/C #14  
 2-3/C #14 1-3/C #14  
 4-2/C #14 7-2/C #14  
 1-3/C #20 2-3/C #20  
 1-1/C #6 INS. GR. 1-1/C #6 INS. GR.

1-2" AND 1-3" PVC STUBBED OUT (CAPPED BOTH ENDS)  
 3/4" PVC STUBBED OUT (FOR TELEPHONE LINE)  
 CONTROLLER CABINET TO SERVICE CABINET:  
 2" PVC  
 2-1/C #6  
 1-1/C #6 INS. GR.  
 CONTROLLER CABINET TO SERVICE CABINET (COMMS):  
 2" PVC (FOR FUTURE USE)  
 SERVICE CABINET TO HH 12:  
 2" PVC  
 3-1/C #2  
 SERVICE CABINET TO HH 1:  
 2" PVC  
 3-3/C #14 (LUM)  
 HH 1 TO HH 11:  
 2" PVC  
 1-3/C #14 (LUM)

**(B) INPLACE SOP-WOOD POLE (BY XCEL ENERGY)**  
 2" PVC RISER AND WEATHERHEAD TO SERVICE CABINET VIA HH 12:  
 3-1/C #2

**(1) PA85 POLE FOUNDATION**  
 TYPE PA85-A-30-D40-9 (DAVIT AT 350 DEG)  
 1-ANGLE MOUNT SIGNAL OVERHEAD AT 0'  
 1-STRAIGHT MOUNT SIGNAL AT 11'  
 2-ANGLE MOUNT SIGNALS AT 90 AND 180 DEG  
 1-ONE WAY EVP DETECTOR AND CONFIRMATORY LIGHT (PHASES 1+6)  
 LUMINAIRE-250W HPS  
 1-R10-X12 SIGN ADJACENT TO HEAD (1-1)  
 1-R9-3a SIGN (NO PEDS) FACING POLE 4  
 1-TYPE D SIGN  
 3" PVC TO HH 1:  
 2-12/C #14  
 1-3/C #14  
 1-3/C #14 (LUM)  
 1-1/C #6 INS. GR.

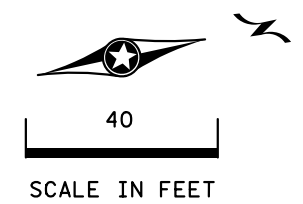
**(2) PA85 POLE FOUNDATION**  
 TYPE PA85-A-20-D40-9 (DAVIT AT 350 DEG)  
 1-ANGLE MOUNT SIGNAL OVERHEAD AT 0'  
 1-ANGLE MOUNT SIGNAL AT 180 DEG  
 1-ANGLE MOUNT C.D. PED IND AT 180 DEG  
 1-ONE WAY EVP CONFIRMATORY LIGHT (PHASE 8)  
 LUMINAIRE-250W HPS  
 1-TYPE D SIGN  
 3" PVC TO HH 2:  
 2-12/C #14  
 1-3/C #14  
 1-3/C #14 (LUM)  
 1-3/C #20  
 1-1/C #6 INS. GR.

**(4) PEDESTAL FOUNDATION**  
 13' PEDESTAL POLE PLUS BASE  
 1-STRAIGHT MOUNT SIGNAL AT 0'  
 1-STRAIGHT MOUNT C.D. PED IND AT 0 DEG  
 1-ONE WAY EVP DETECTOR (PHASE 8)  
 1-R9-3a SIGN (NO PEDS) FACING POLE 1  
 3" PVC TO HH 10:  
 1-12/C #14  
 1-3/C #20  
 2-1/C #6 INS. GR.

**(3) PA90 POLE FOUNDATION**  
 TYPE PA90-A-35-D40-9 (DAVIT AT 350 DEG)  
 1-ANGLE MOUNT SIGNAL OVERHEAD AT 0'  
 1-ANGLE MOUNT SIGNAL AT 180 DEG  
 2-ANGLE MOUNT C.D. PED IND AT 90 AND 180 DEG  
 1-ONE WAY EVP DETECTOR AND CONFIRMATORY LIGHT (PHASE 2)  
 LUMINAIRE-250W HPS  
 1-TYPE D SIGN  
 3" PVC TO HH 5:  
 2-12/C #14  
 1-3/C #14  
 1-3/C #14 (LUM)  
 1-3/C #20  
 1-1/C #6 INS. GR.

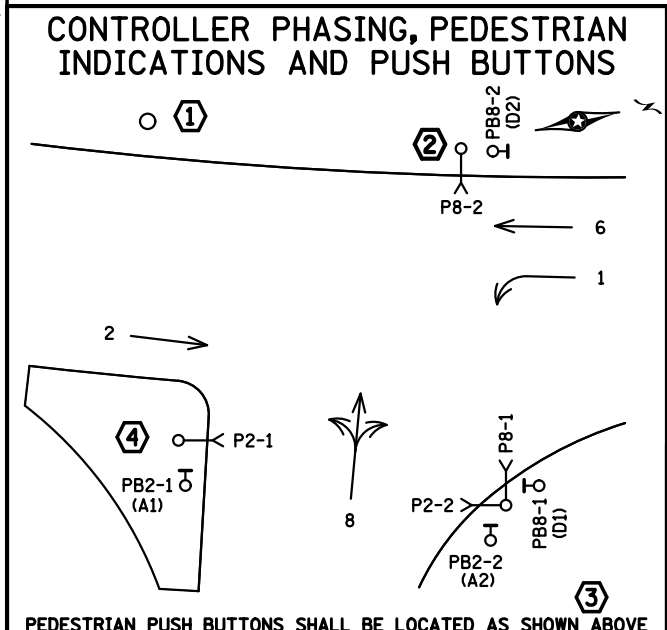
SIGNAL FACE CHART					
FACE	R	Y	G	FYA	G
1-1,1-2	←	←	←	←	
2-1,2-2	○	○	○		
6-1,6-2	○	○	○		
8-1	○	○	○		
8-2	○	○	○		←
8-3	○	←	←		

-ALL SIGNAL INDICATIONS ARE 12" LED  
 -ALL SIGNAL HEADS ARE BLACK POLYCARBONITE WITH BACKGROUND SHIELDS  
 -FYA DENOTES FLASHING YELLOW ARROW



PLOTTED/REVISED: 12/30/2013

DISTRICT #: METRO  
 IPLOT NAME: layout  
 PATH & FILENAME: IP\_PWP-d1386034T39268LW\_sgl.dgn



**SIGNAL SYSTEM OPERATION**

- THE SIGNAL SYSTEM FLASH MODE IS ALL RED.
- NORMAL OPERATION IS 4 PHASE, WITH PHASE 1 BEING A FYA LEFT TURN PHASE BY TIME OF DAY.
- PHASES 2 AND 6 SHALL BE ON VEHICLE RECALL.

BY	DATE	REVISIONS
GDS	12-30-13	AS BUILT OF TE 5925

SYSTEM ID: 39268 T.E. 5925  
 METER ADDRESS:  
 MASTER ID: #NXD01345817 T.E.

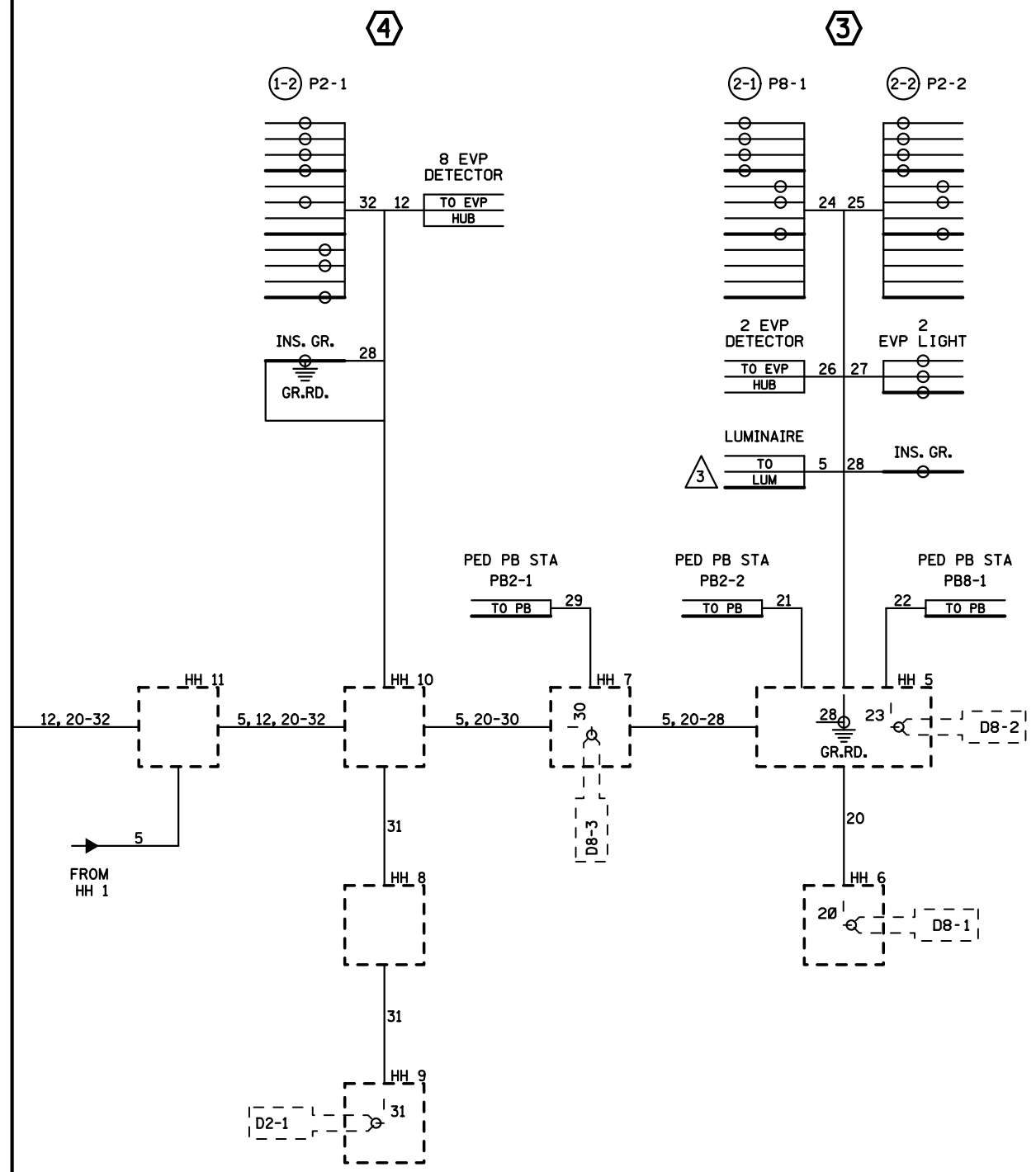
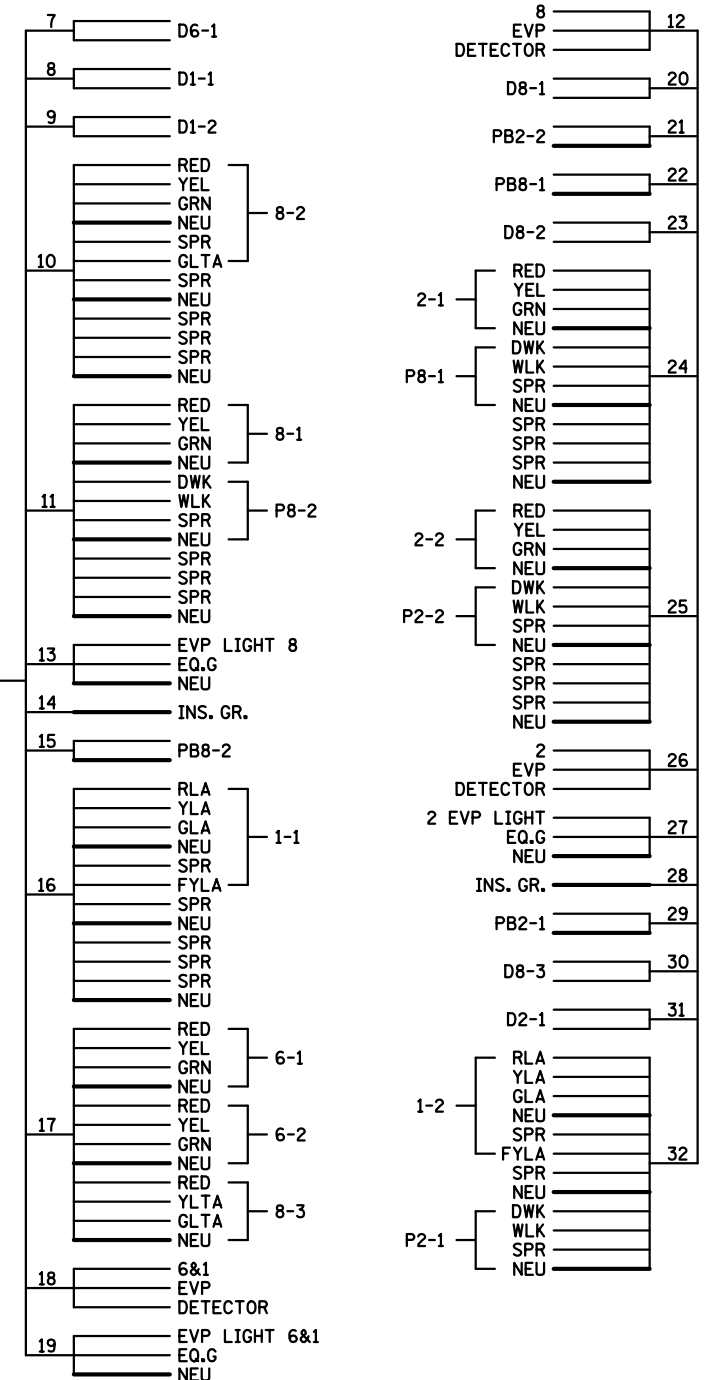
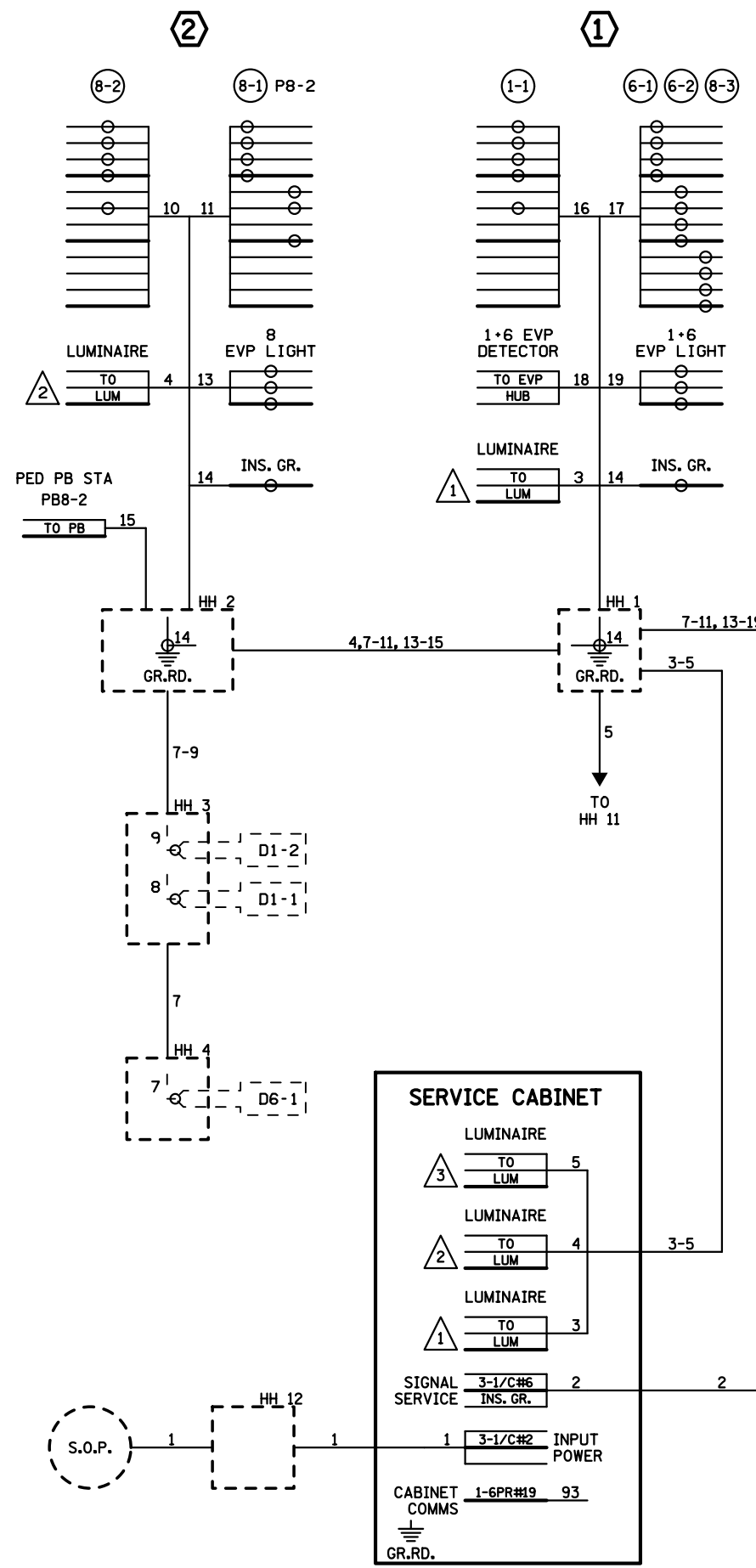
**INTERSECTION LAYOUT TRAFFIC CONTROL SIGNAL SYSTEM**  
 T.H. 51 (HAMLINE AVE.) AT COUNTY ROAD F/C.S.A.H. 12  
 IN ARDEN HILLS, RAMSEY COUNTY

S.A.P. NO. \_\_\_\_\_ DRAWN BY: MAS CKD BY: GAK DATE: 07-05-12  
 CERTIFIED BY \_\_\_\_\_ L.I.C. NO. \_\_\_\_\_ DATE: 07-19-12  
 STATE PROJ. NO. (T.H.51) SHEET NO. 1 OF 2 SHEETS

PLOTTED/REVISED: 12/30/2013

DISTRICT #: METRO  
PLOT NAME: wiring  
PATH & FILENAME: IP\_PWP-d1386034T39268LW\_sgl.dgn

### CONTROLLER CABINET



**NOTES:**

- LUMINAIRES ARE UNMETERED.
- SIGNAL SYSTEM INCLUDES BATTERY- BACKUP SERVICE CABINET (NO BATTERIES).
- FOR CONDUCTOR COLOR CODE SEE TRAFFIC SIGNAL POLE WIRING CONNECTOR DETAIL.

BY	DATE	REVISIONS	SYSTEM ID: 39268	T.E. 5925	S.A.P. NO.	DRAWN BY: MAS	CKD BY: GAK	DATE: 07-05-12
GDS	12-30-13	AS BUILT OF TE 5925	METER ADDRESS:		CERTIFIED BY	LIC. NO.		DATE: 07-19-12
			MASTER ID: #NXD01345817	T.E.	STATE PROJ. NO.		(T.H.51)	SHEET NO. 2 OF 2 SHEETS

**FIELD WIRING DIAGRAM  
TRAFFIC CONTROL SIGNAL SYSTEM  
T.H. 51 (HAMLINE AVE.) AT  
COUNTY ROAD F/C.S.A.H. 12  
IN ARDEN HILLS, RAMSEY COUNTY**