

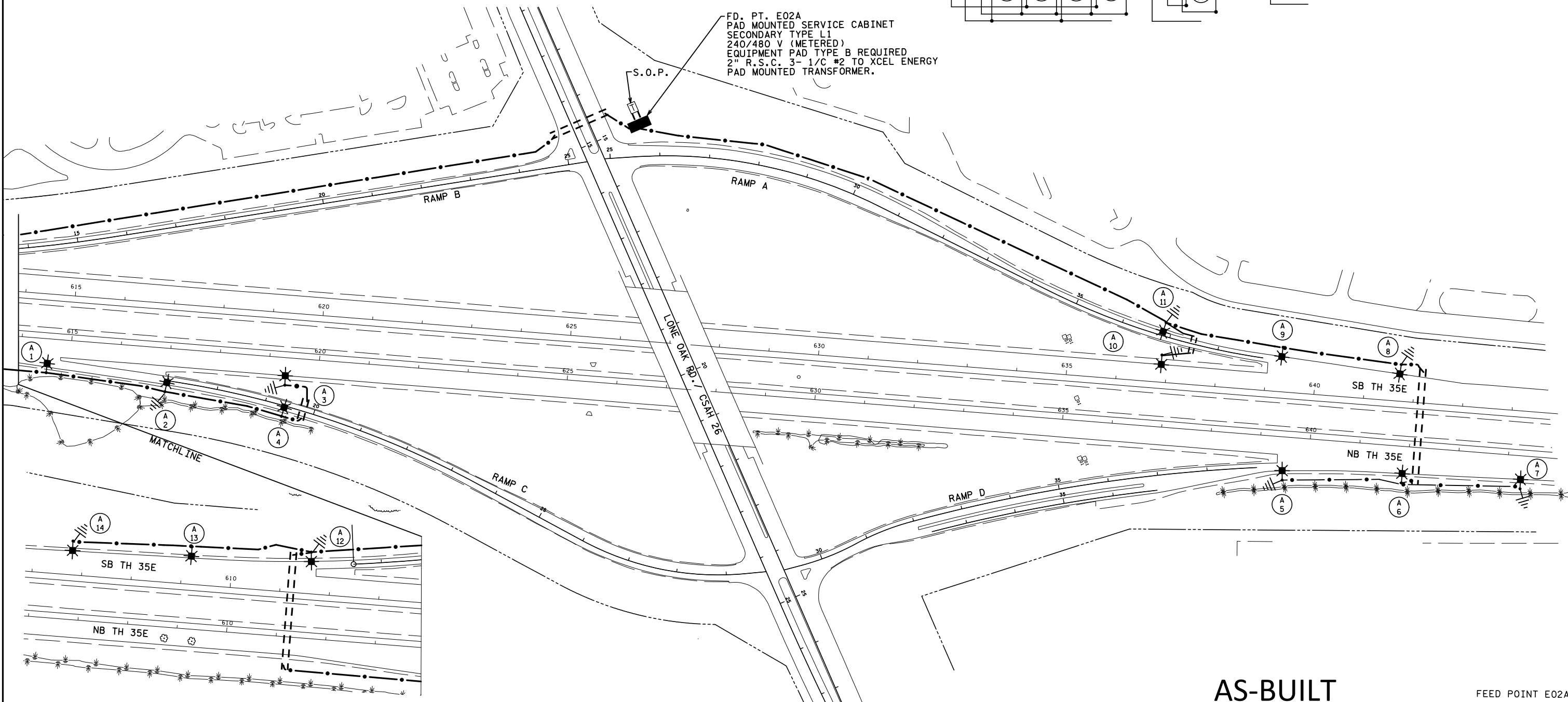
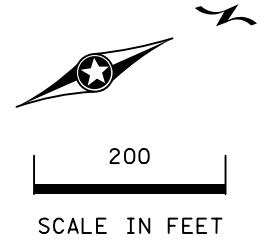
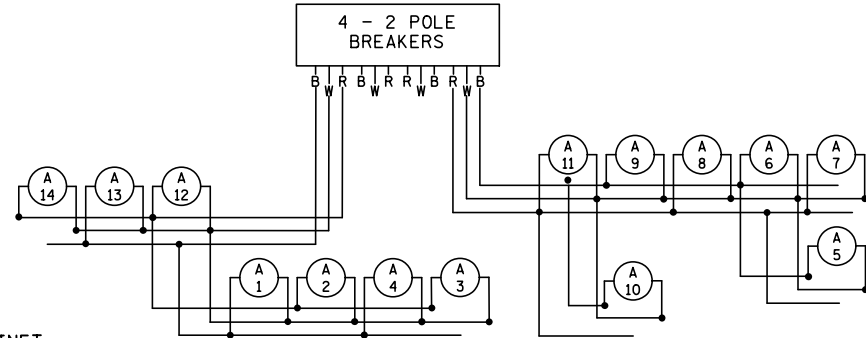
LEGEND

- LIGHTING UNIT
- PERMANENT GROUND ROD (25 OHMS OR LESS)
- DIRECT BURIED LIGHTING CABLE 4/C 4 AWG
- 3" PVC DIRECTIONAL BORED (UNLESS OTHERWISE NOTED)
- FD.PT. CABINET
- LIGHTING UNIT IDENTIFIER
- RIGHT OF WAY
- AREA OF ENVIRONMENTAL SENSITIVITY

FEEDPOINT E02A
LIGHTING UNIT LOCATION AND TYPE

NO.	STATION	LT.	RT.	LOCATION	TYPE	FOUNDATION
1	614+55		X	NB TH 35E	9-40	DESIGN E
2	616+95		X	NB TH 35E		
3	619+35		X	NB TH 35E		
4	19+40		X	RAMP C		
5	639+50		X	NB TH 35E		
6	641+90		X	NB TH 35E		
7	644+30		X	NB TH 35E		
8	641+70	X		SB TH 35E		
9	639+20	X		SB TH 35E		
10	636+80	X		SB TH 35E		
11	36+80	X		RAMP A		
12	611+60	X		SB TH 35E		
13	609+20	X		SB TH 35E		
14	606+80	X		SB TH 35E	9-40	DESIGN E

DASHED LINES DENOTE INPLACE ITEMS
W DENOTES NEUTRAL CONDUCTOR
B AND R DENOTE CURRENT CARRYING CONDUCTORS
FD. PT. E02A
240/480 VOLT



AS-BUILT LIGHTING PLAN

FEED POINT E02A

FEEDPOINT: E02A LOCATION: LONE OAK ROAD.
METER ADDRESS: 1141 LONE OAK ROAD.EAGAN 55121

CERTIFIED BY *Michael P. Dubinsky* LIC. NO. 19863 DATE: 1-MAY-2020
LICENSED PROFESSIONAL ENGINEER

STATE PROJ.NO. 1982-204 (T.H. 35E) SHEET NO. 11 OF 15 SHEETS

BY	DATE	REVISIONS

DRAWN BY: HL CKD BY: PB

DISTRICT #: Metro
 IPLOT NAME: 1982-204_11_10
 PATH & FILENAME: Projects\DM_POS\035E\1982-204-Traffic\Lighting\1982-204_11_10.dgn
 PLOTTED/REVISED: 1-MAY-2020