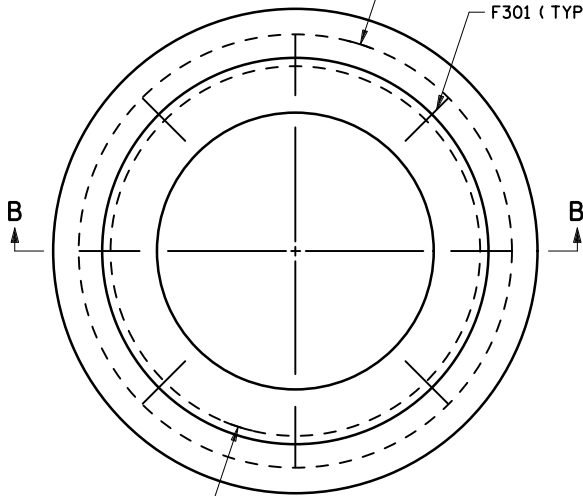


F303 CIRCULAR REINFORCEMENT BAR, APPROX. 3' 2" DIA.

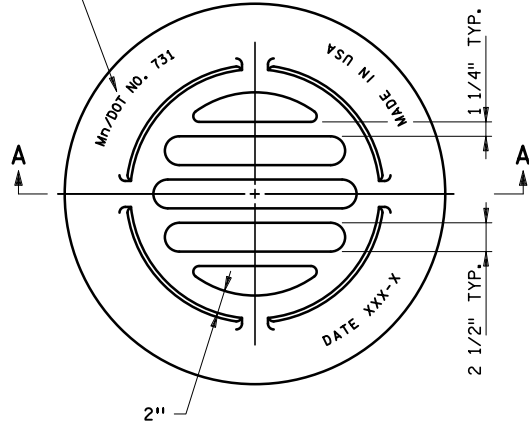
F301 (TYP.)



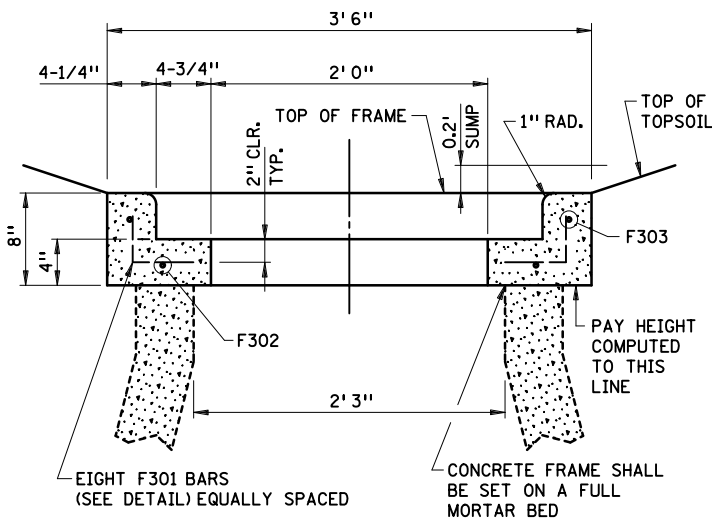
F302 CIRCULAR REINFORCEMENT BAR, APPROX. 2' 9" DIA.

TOP VIEW

3/4" LETTERS DEPRESSED 1/8"

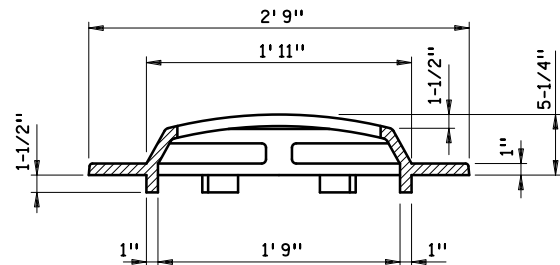


TOP VIEW



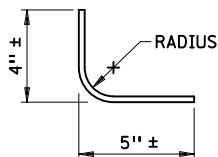
SECTION B-B

REINFORCED CONCRETE FRAME
(FOR CASTING NO. 731)



SECTION A-A

STOOL TYPE GRATE
(CASTING NO. 731)
APPROX. WEIGHT 200 LBS.



F301

NOTES:

FRAME MAY BE PRECAST OR CAST-IN-PLACE.

CASTING NO. 731 & FRAME

APPROVED MARCH 14, 1996

Gerald J. Rodbrech
STATE DESIGN ENGINEER

STATE OF MINNESOTA
DEPARTMENT OF TRANSPORTATION

STOOL GRATE & CONCRETE FRAME
(MEDIAN DRAINS)

SPECIFICATION
REFERENCE
2506

REVISED
3-22-2013 M.J.E.

STANDARD
PLATE
NO.

4143E