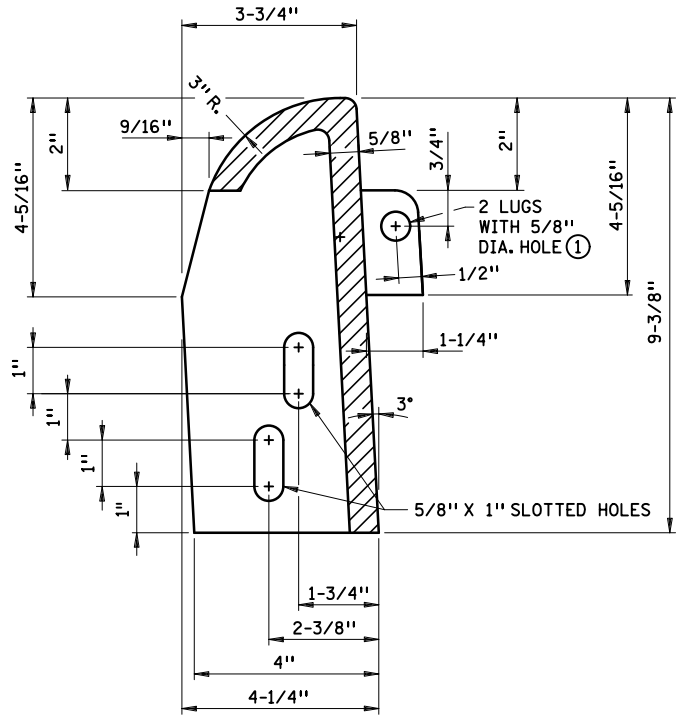
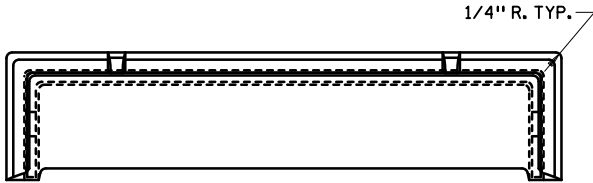


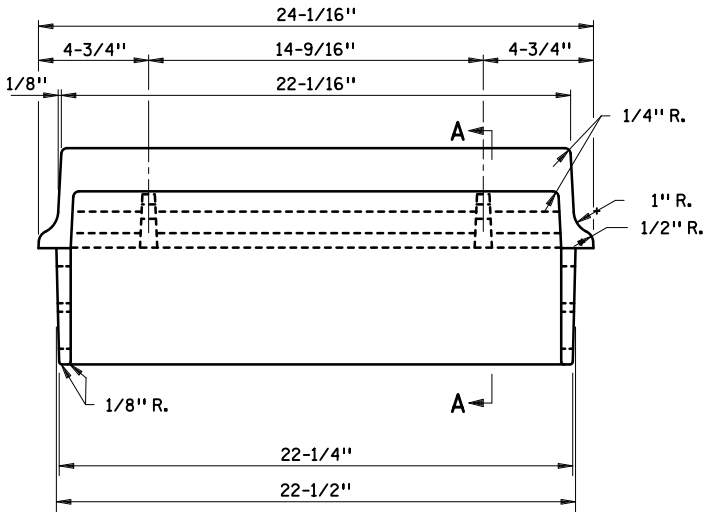
REAR VIEW OF LUG



SECTION A-A



PLAN VIEW



FRONT VIEW

NOTES:

CAST GRAY IRON ASTM A-48, CLASS 35B.
USE WITH 4" & 6" DESIGN B CURBS.

① FOR FIELD PLACEMENT OF A NO. 4 BAR, 4 FT. LONG

CURB BOX CASTING NO. 825
APPROXIMATE WEIGHT 67 LBS.

APPROVED APRIL 13, 1995

Gerald J. Rodensch
STATE DESIGN ENGINEER

STATE OF MINNESOTA
DEPARTMENT OF TRANSPORTATION

CURB BOX CASTING FOR CATCH BASIN
(FOR DESIGN B CURBS)

SPECIFICATION
REFERENCE

2506

REVISED
3-22-2013 M.J.E.

STANDARD
PLATE
NO.

4134A