

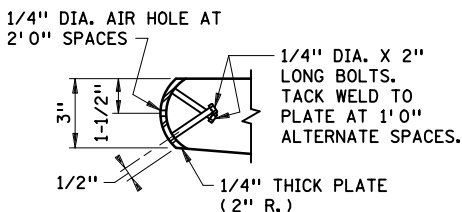
TOP VIEW

DESIGNATION:
DESIGN 4021 Y

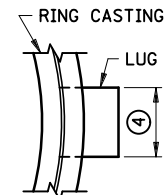
TOTAL LENGTH OF UNITS
STANDARD PLATE REFERENCE

EXAMPLE:
DESIGN 4021 8

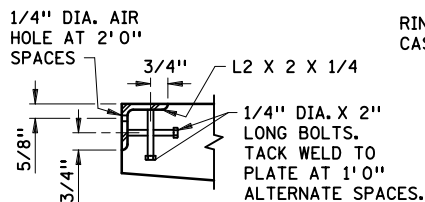
TWO 4 FT. UNITS
CONSTRUCT PER
STANDARD PLATE 4021



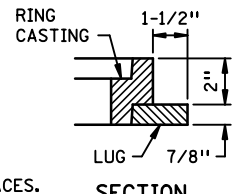
OPTION 1



PLAN VIEW



OPTION 2

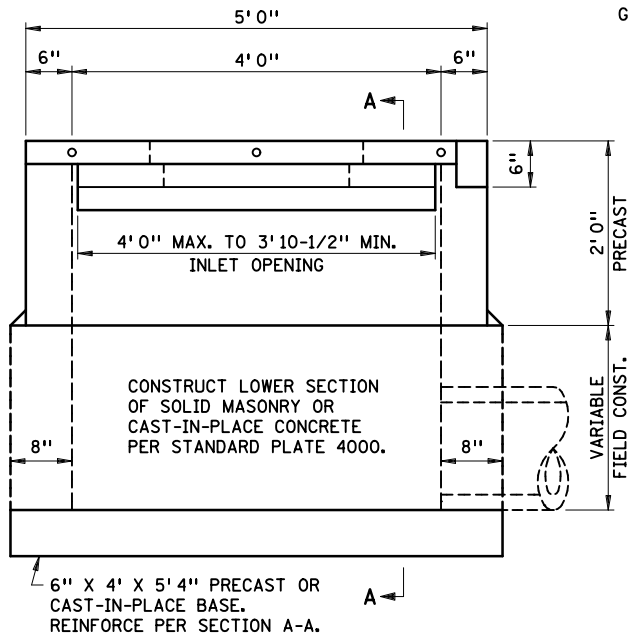


SECTION

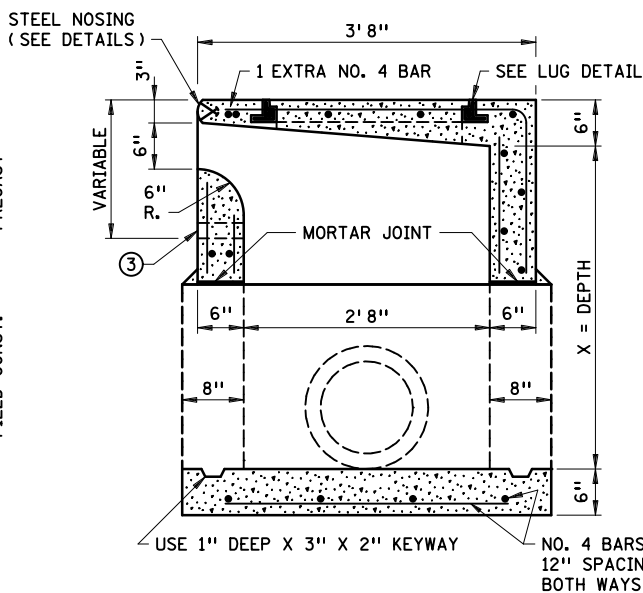
LUG
DETAIL

STEEL NOSING

GALVANIZE AFTER FABRICATION PER SPEC. 3394



FRONT VIEW



SECTION A-A

CONSTRUCTION NOTES:

- FOR INLETS LONGER THAN 4 FT., USE MULTIPLE UNITS. TOP AND SIDE JOINTS BETWEEN ADJACENT UNITS SHALL BE SEALED WITH OAKUM AND 1/2 IN. HOT POURED SEALER, SPEC. 3723.
- ONLY ONE MANHOLE REQUIRED PER INSTALLATION, LOCATED AT CENTER OF UNIT OVER OUTLET.
- PLACE PIPE OPENING AS REQUIRED.
- SLOPE FLOOR 5/8 IN. PER FT. TO OUTLET.
- WHEN MULTIPLE UNITS ARE INSTALLED, THE BASE AND LOWER WALL SHALL BE CONSTRUCTED AS ONE STRUCTURE.

- ① RING CASTING NO. 790-2, MODIFIED BY THE ADDITION OF LUGS AT QUARTER POINTS OR APPROVED EQUAL. SEE LUG DETAIL.
- ② COVER CASTING NO. 715 OR 716 (SEE PLAN).
- ③ 3 IN. MAX. DIA. TEMPORARY INLETS ARE PERMITTED AT THE ELEVATION OF THE SUBGRADE TO PROVIDE DRAINAGE PRIOR TO SURFACING. NO MORE THAN 3 INLETS WILL BE PERMITTED PER 4 FT. (Y) LENGTH WITH A MIN. SPACING OF 1 FT. BETWEEN INLETS. THE TEMPORARY INLETS SHALL BE GROUTED SHUT AFTER COMPLETION OF SURFACING.
- ④ 3" TO 8" LUG PERMISSIBLE.

APPROVED JULY 6, 2001
[Signature]
STATE DESIGN ENGINEER

STATE OF MINNESOTA
DEPARTMENT OF TRANSPORTATION

PRECAST CURB OPENING CATCH BASIN

SPECIFICATION
REFERENCE
2506
3622
REVISED
3-22-2013 M.J.E.

STANDARD
PLATE
NO.
4021F