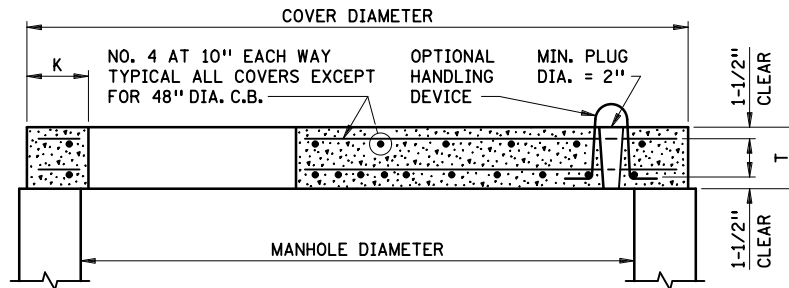


PLAN OF COVER
TOP BARS NOT SHOWN



SECTION A-A

TABLE

C.B. OR M.H. DIA.	COVER DIAMETER	WEIGHT OF SECTION	T	K	L	BOTTOM BARS EACH WAY
48"	58"	1140 LBS.	6"	6"	8"	NO. 5 AT 6"
54"	65"	1990 LBS.	8"	6"	8"	NO. 5 AT 8"
60"	72"	2510 LBS.	8"	7"	9"	NO. 5 AT 7"
66"	79"	3090 LBS.	8"	7"	9"	NO. 5 AT 7"
72"	86"	3720 LBS.	8"	8"	10"	NO. 5 AT 6"
78"	93"	4400 LBS.	8"	8"	10"	NO. 5 AT 5"
84"	100"	5140 LBS.	8"	9"	11"	NO. 5 AT 5"
90"	107"	5930 LBS.	8"	9"	11"	NO. 5 AT 5"
96"	114"	6770 LBS.	8"	9"	11"	NO. 6 AT 6"
102"	121"	7670 LBS.	8"	9"	12"	NO. 6 AT 5"
108"	126"	12520 LBS.	12"	10"	12"	NO. 5 AT 6"
120"	140"	15560 LBS.	12"	11"	13"	NO. 5 AT 6"

① ONLY NECESSARY TO USE BOTTOM LAYER OF STEEL.

NOTES:

- AASHTO HS 25 LOADING.
- MAXIMUM FILL HEIGHT 15 FT.
- THE NO. 4020 SHALL BE PERMANENTLY MARKED ON THE TOP OF THE COVER.
- EQUIVALENT STEEL AREAS IN WIRE MESH MAY BE USED.
- REINFORCEMENT PER SPEC. 3301, GRADE 60. ANY STEEL REINFORCEMENT THAT IS WELDED DURING FABRICATION SHALL MEET THE REQUIREMENTS OF ASTM A706.
- REFER TO PLANS FOR STEP REQUIREMENTS, HEIGHT, & DIAMETER.
- SEE SHEET (2 OF 2) FOR INSTALLATION DETAILS.

DESIGNER NOTE:

WHEN STRUCTURE IS USED AS A CATCH BASIN, GIVE X & Y COORDINATES OF BOTH THE CENTERLINE FOR A, C, F OR G STRUCTURE AND THE CENTERLINE FOR THE 4020 STRUCTURE.

DESIGNATION:

DESIGN DIA. - STANDARD PLATE EXAMPLE: DESIGN 66 - 4020

APPROVED NOV. 22, 2000

Delbert W. Jendes
STATE DESIGN ENGINEER

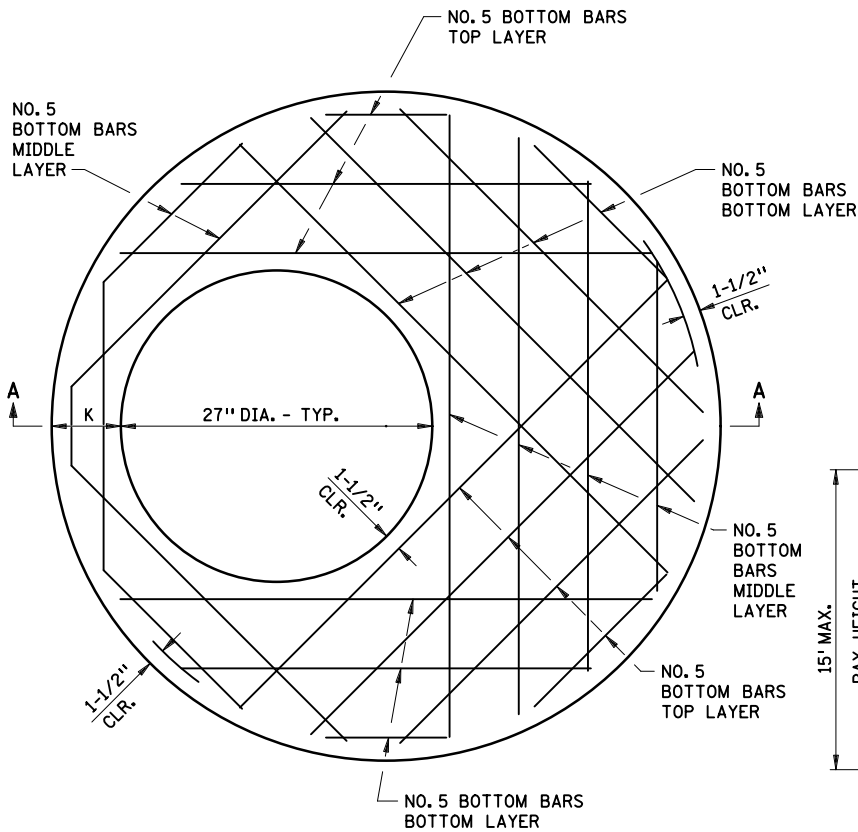
STATE OF MINNESOTA
DEPARTMENT OF TRANSPORTATION

MANHOLE OR CATCH BASIN
FOR USE WITH OR WITHOUT TRAFFIC LOADS

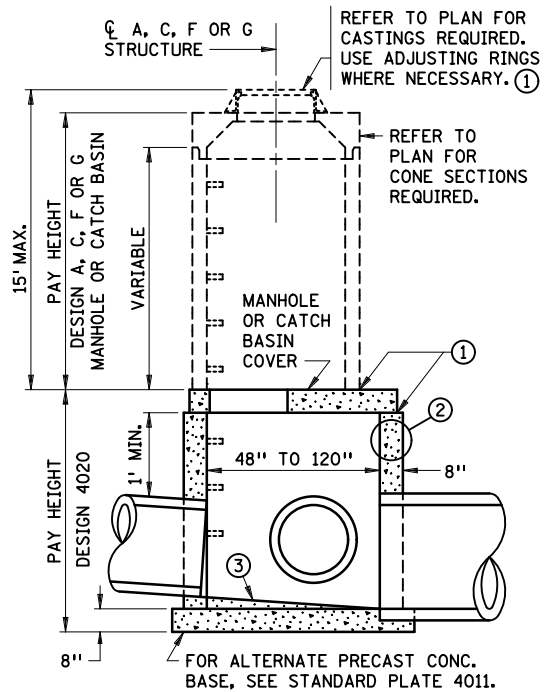
SPECIFICATION REFERENCE
2506

REVISION DATE
3-22-2013 M.J.E.

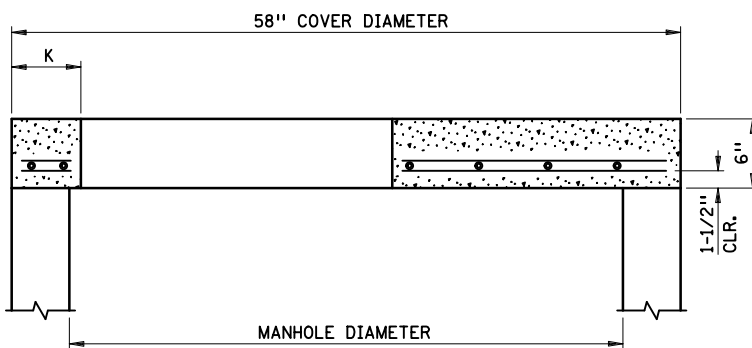
STANDARD PLATE NO.
4020J
1 OF 2



PLAN
(58" DIA. PRECAST COVER OPTION SHOWN)



SECTION VIEW - INSTALLATION



SECTION A-A

NOTES:

- WHEN STRUCTURE IS USED AS A CATCH BASIN, GIVE X, Y COORDINATES OF BOTH THE CENTERLINE FOR A, C, F OR G STRUCTURE AND THE CENTERLINE FOR THE 4020 STRUCTURE.
- SEE SHEET 1 OF 2 FOR HANDLING HOLE DETAILS AND ADDITIONAL INFORMATION.
- ① PROVIDE A FULL MORTAR BED.
- ② WALL CONSTRUCTION MAY BE: CLASS II PRECAST PIPE - STANDARD PLATE 3000 - REINFORCED CONCRETE PIPE; CAST-IN-PLACE CONCRETE MEETING THE REQUIREMENTS OF CLASS II PIPE; OR MASONRY CONSTRUCTION (BRICK OR BLOCK), STANDARD PLATE 4000 - MANHOLE OR CATCH BASIN MASONRY.
- ③ PROVIDE MORTAR FILLETS TO FIT BOTTOM PORTIONS OF PIPE TO DIRECT FLOW TO OUTLET.

APPROVED NOV. 22, 2000

Delbert W. Gerdes
STATE DESIGN ENGINEER

STATE OF MINNESOTA
DEPARTMENT OF TRANSPORTATION

MANHOLE OR CATCH BASIN
FOR USE WITH OR WITHOUT TRAFFIC LOADS

SPECIFICATION REFERENCE
2506

REVISED
10-29-2013 M.J.E.

STANDARD PLATE NO.
4020J
2 OF 2