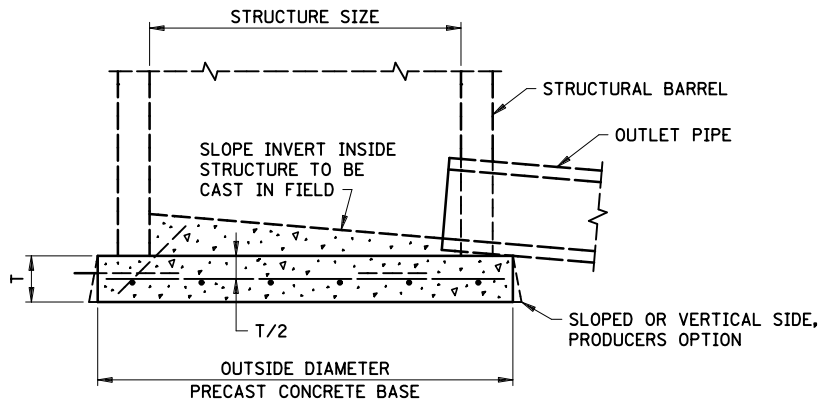


TOP VIEW



SECTION A-A

STRUCTURE SIZE (INCHES)	PRECAST CONCRETE BASE				APPROX. WEIGHT (POUNDS)
	OUTSIDE DIAMETER (INCHES)	T (INCHES)	MINIMUM REINF. ②		
			BAR NUMBER	SPACING (INCHES)	
30	44	6	4	12	790
48	64	6	4	12	1,680
54	72	8	4	12	2,830
60	78	8	4	12	3,320
66	85	8	4	12	3,940
72	92	8	4	12	4,620
78	100	8	4	12	5,460
84	106	8	4	8	6,130
90	114	8	4	8	7,090
96	120	8	4	8	7,850
102	127	8	4	8	8,800
108	132	9	4	8	10,690
120	146	12	4	8	17,440
132	160	12	4	8	20,940
144	174	12	4	6	24,770

NOTES:

- ① ALTERNATE T = 10" WITH NO. 4 BAR SPACED AT 10".
- ② EQUIVALENT WIRE MESH MAY BE USED.

APPROVED OCTOBER 17, 1994

Gerald J. Rodbrack
STATE DESIGN ENGINEER

STATE OF MINNESOTA
DEPARTMENT OF TRANSPORTATION

PRECAST CONCRETE BASE

SPECIFICATION
REFERENCE
2506

REVISED
3-22-2013 M.J.E.

STANDARD
PLATE
NO.

4011E