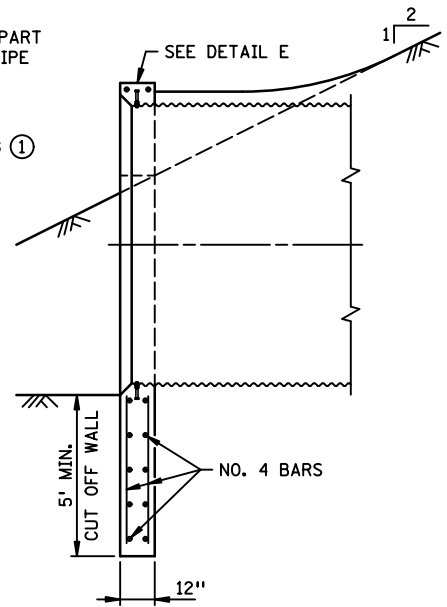
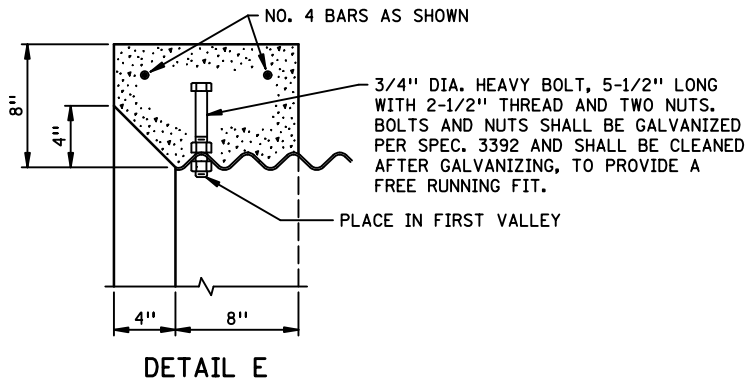


HALF ELEVATION

HALF SECTION



SECTION B-B



DETAIL E

SUMMARY OF QUANTITIES		
CULVERT DIA. D (IN.)	CONCRETE (CU. YDS.)	REINFORCING STEEL (LBS.)
90	7.8	745
96	8.6	810

NOTES:

DESIGN SPECIFICATIONS - AASHTO STANDARD SPECIFICATIONS FOR HIGHWAY BRIDGES.

CONCRETE MIX SHALL BE 3Y43.

THE DEPTH OF THE CUT OFF WALL SHOWN MAY BE REDUCED IF ROCK IS ENCOUNTERED.

CLEAR SPACING FOR MULTIPLE PIPE INSTALLATIONS SHALL NOT BE LESS THAN ONE-HALF THE DIAMETER OF THE LARGER PIPE BETWEEN SIDES OF ADJACENT PIPES, TO PERMIT CAREFUL PLACING AND TAMPING OF BACKFILL MATERIAL.

ALL REINFORCING BARS SHALL HAVE 1-1/2" MINIMUM CLEAR.

① USE TWO MATS, ONE EACH FACE.

APPROVED Nov. 12, 1975

[Signature]
 Division Director
 Materials, Research and Standards

STATE OF MINNESOTA
 DEPARTMENT OF TRANSPORTATION
**INLET PROTECTION
 FOR METAL CULVERTS**
 90" DIA. TO 96" DIA.

SPECIFICATION
 REFERENCE
 2411

REVISED
 3-22-2013 M.J.E.

STANDARD
 PLATE
 NO.

3125A