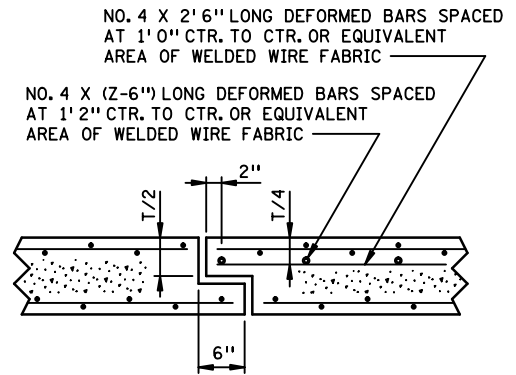
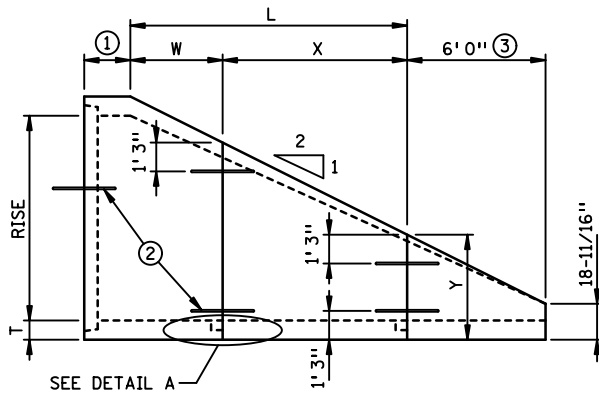


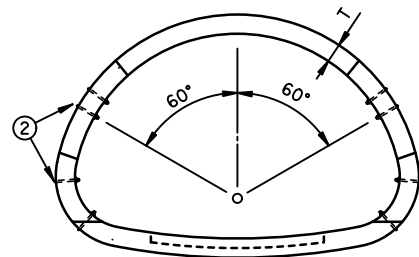
TOP VIEW



DETAIL A



SIDE VIEW



END VIEW

NOTES:

- ① 2' 0" FOR GROOVE END AND 2' 7" FOR TONGUE END.
- ② CULVERT TIES AS SHOWN ON STANDARD PLATE 3145.
- ③ 132" SIZE IS A 3 PIECE END SECTION.

SEE STANDARD PLATE 3014 FOR THE FOLLOWING:

- a. SHAPE, JOINT DIMENSIONS, TOLERANCES AND OTHER APPLICABLE REQUIREMENTS.
- b. REINFORCEMENT REQUIREMENTS IN SECTION 1 SHALL CONFORM TO CLASS II-A REINFORCEMENT EXCEPT STIRRUPS NOT REQUIRED. REINFORCEMENT REQUIREMENTS IN SECTION 2 AND 3 SHALL CONFORM TO CLASS II-A CONTINUOUS BASIC REINFORCEMENT ONLY, WITH ADDITIONAL REINFORCEMENT AS SHOWN IN DETAIL A.

TABLE OF REQUIREMENTS

SIZE	RISE	SPAN	T	L	W	X	Y	Z	SECTION 1	SECTION 2	SECTION 3
									WEIGHT IN POUNDS (APPROX)		
90	72	115-1/2	8-1/2	102-1/4	72	30-1/4	37-7/8	48	19100	3950	
96	78	122-3/8	9	112-1/2	72	40-1/2	39	54	22000	6050	
108	88	138-1/2	10	129-1/2	48	81-1/2	42-3/8	66	23000	15800	
120	96-7/8	154	11	144	48	96	46-7/8	78	27000	24600	
132	106-1/2	168-3/4	10	144	48	96	54-5/8	90	27950	25260	13640

APPROVED Nov. 13, 1986

R.H. Sullivan
Director

Materials, Research and Standards

STATE OF MINNESOTA
DEPARTMENT OF TRANSPORTATION

SECTIONAL CONCRETE APRON FOR
REINFORCED CONCRETE PIPE-ARCH

SPECIFICATION
REFERENCE

2501

REVISED
3-22-2013 M.J.E.

STANDARD
PLATE
NO.

3114H