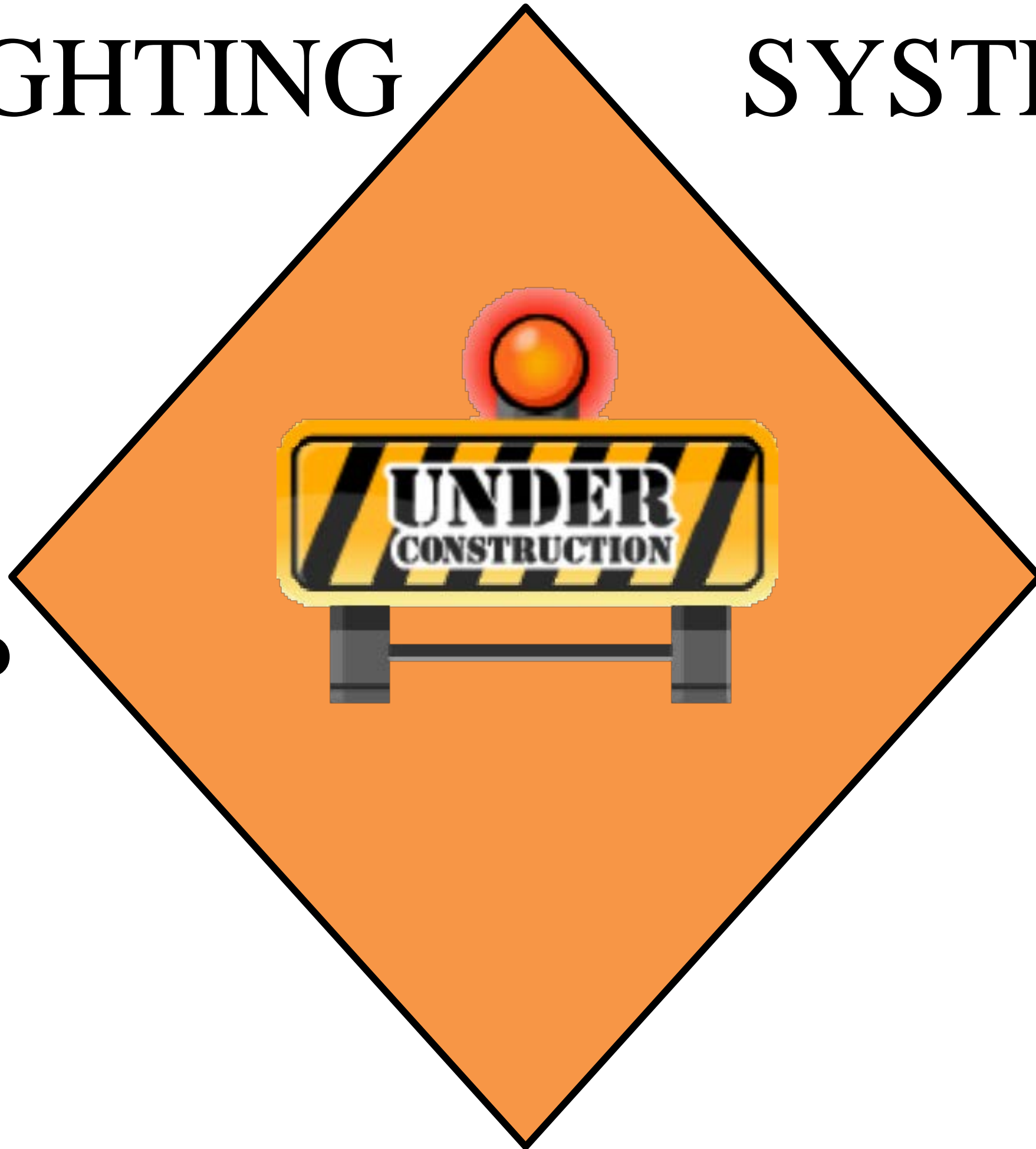




**STOP**

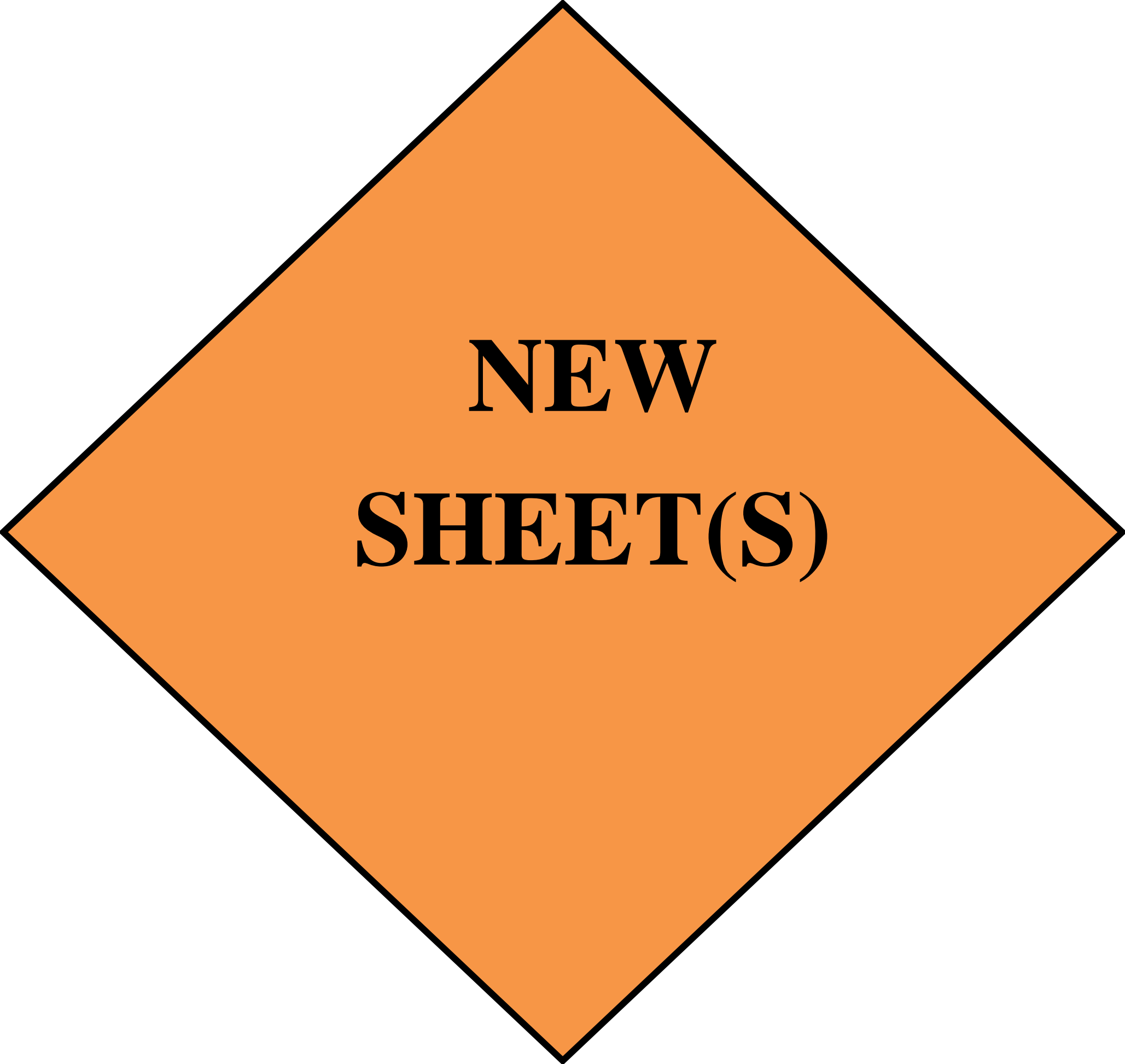
**LIGHTING**

**SYSTEM**

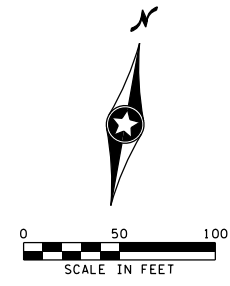


**WEST METRO**  
**JAMES SIMS**  
**651-775-9495**

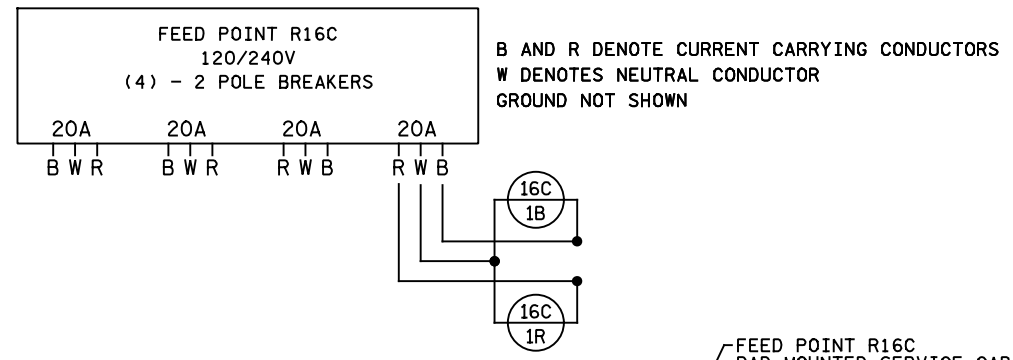
**EAST METRO**  
**TONY LARA**  
**651-755-8697**



**NEW  
SHEET(S)**

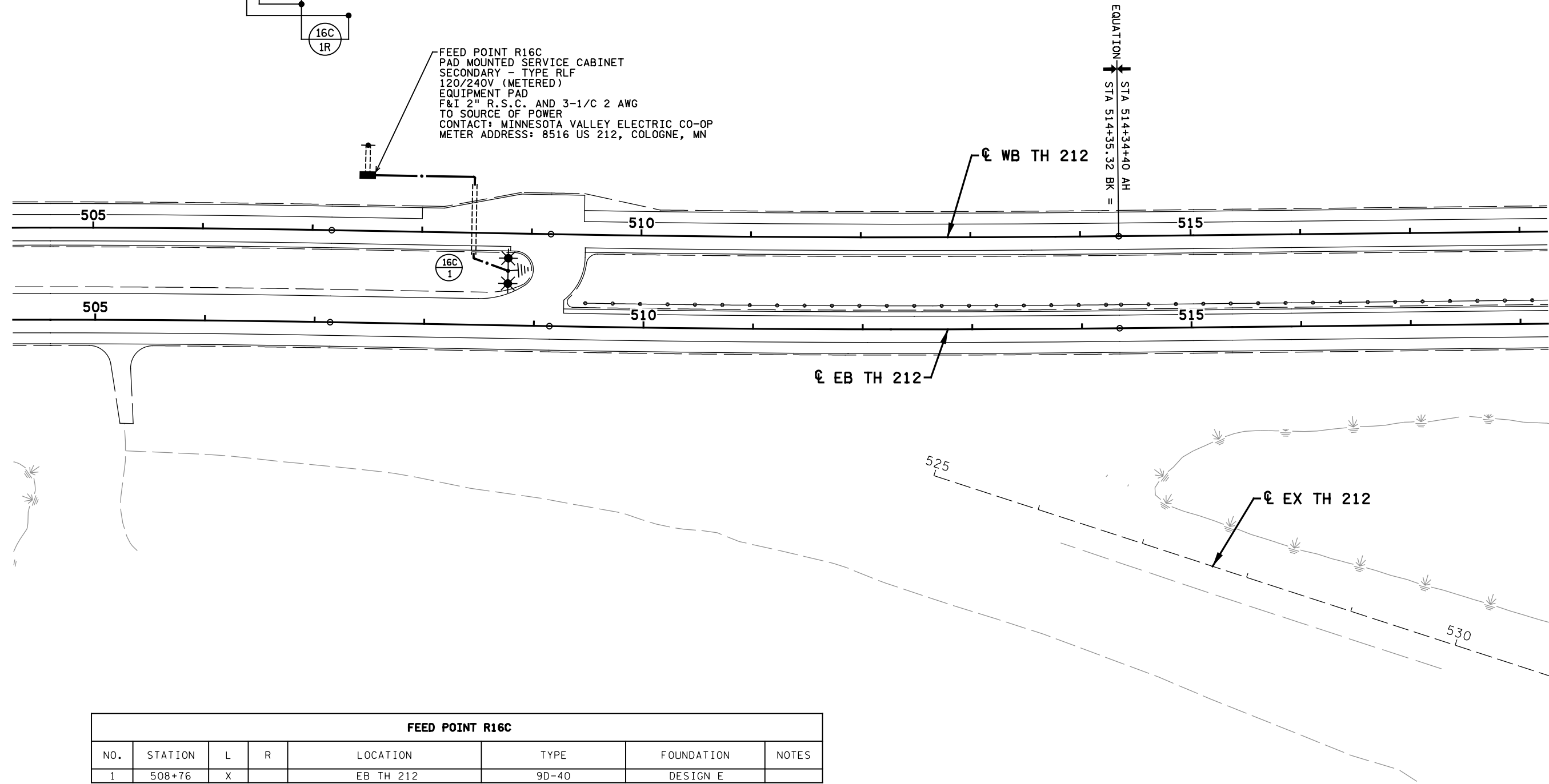


GENERAL NOTES:  
 SEE SHEET NO. 459 FOR LEGEND.  
 CONDUIT PASSING UNDER A TRAFFIC BARRIER OR HIGH TENSION CABLE BARRIER WILL BE PLACED HALF WAY BETWEEN TWO BARRIER POSTS, AND EXTEND A MINIMUM 3' PAST THE CENTER LINE OF BARRIER, AS DIRECTED BY FIELD ENGINEER.



B AND R DENOTE CURRENT CARRYING CONDUCTORS  
 W DENOTES NEUTRAL CONDUCTOR  
 GROUND NOT SHOWN

FEED POINT R16C  
 PAD MOUNTED SERVICE CABINET  
 SECONDARY - TYPE RLF  
 120/240V (METERED)  
 EQUIPMENT PAD  
 F&I 2" R.S.C. AND 3-1/2 2 AWG  
 TO SOURCE OF POWER  
 CONTACT: MINNESOTA VALLEY ELECTRIC CO-OP  
 METER ADDRESS: 8516 US 212, COLOGNE, MN



FEED POINT R16C							
NO.	STATION	L	R	LOCATION	TYPE	FOUNDATION	NOTES
1	508+76	X		EB TH 212	9D-40	DESIGN E	

9:09:46 AM  
 12/18/2020  
 cd101379\_1101.dgn

NO	DATE	BY	CKD	APPR	REVISION

I hereby certify that this plan, specification, or report was prepared by me or under my direct supervision and that I am a duly Licensed Professional Engineer under the laws of the State of Minnesota.  
 Print Name: STEVE MCHENRY  
 Date: 12-18-20 License #: 46710

STATE PROJECT NO.  
 010-596-012  
 1013-79 (TH 212)

DRAWN BY  
 T. RICHARDSON  
 DESIGNED BY  
 T. RICHARDSON  
 CHECKED BY  
 S. MCHENRY  
 COMM. NO. 0148717



ENGINEERS  
 PLANNERS  
 DESIGNERS

MINNESOTA DEPARTMENT OF TRANSPORTATION  
 LIGHTING PLANS AND DETAILS  
 S.P. 1013-79 TH 212