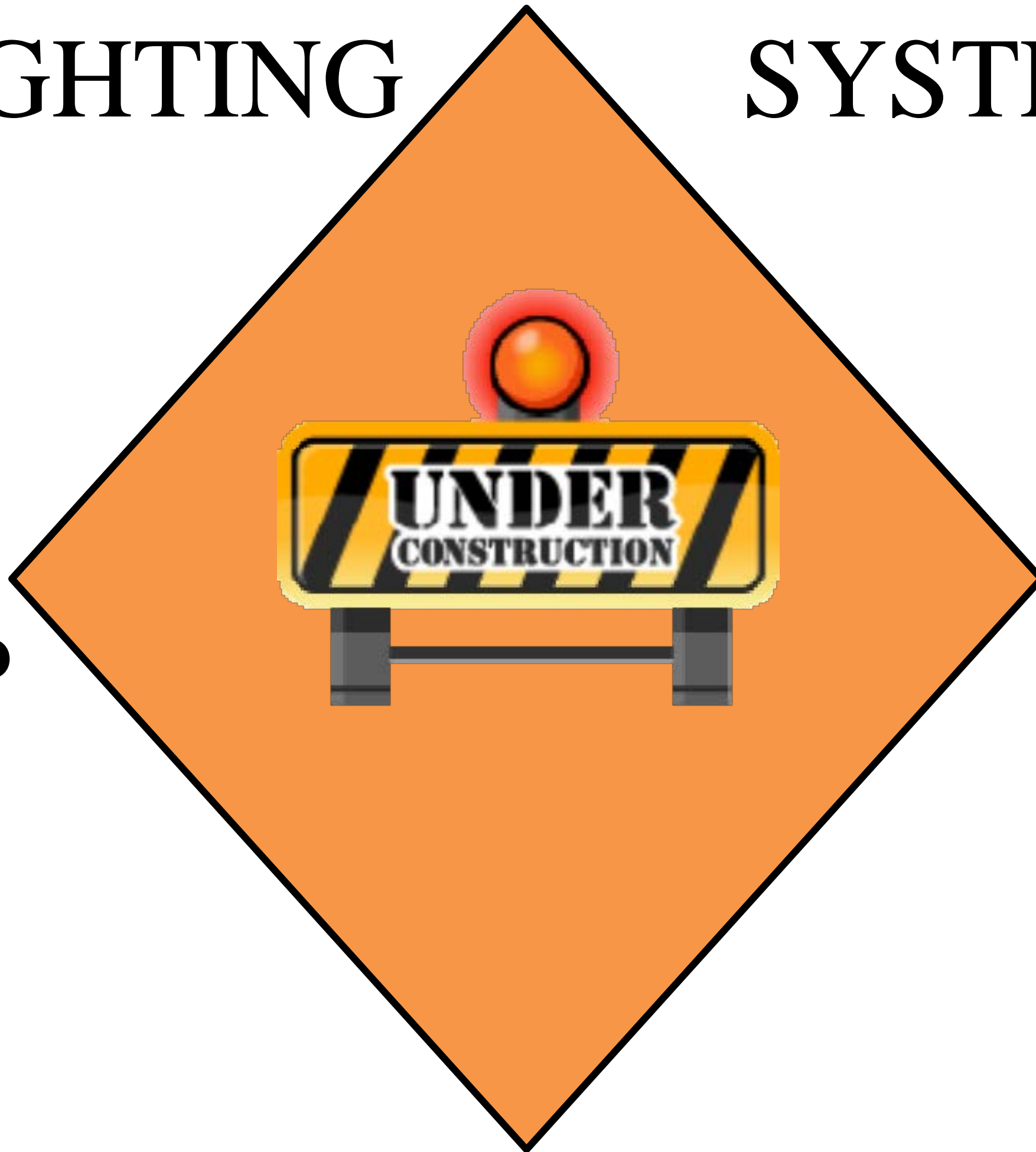




STOP

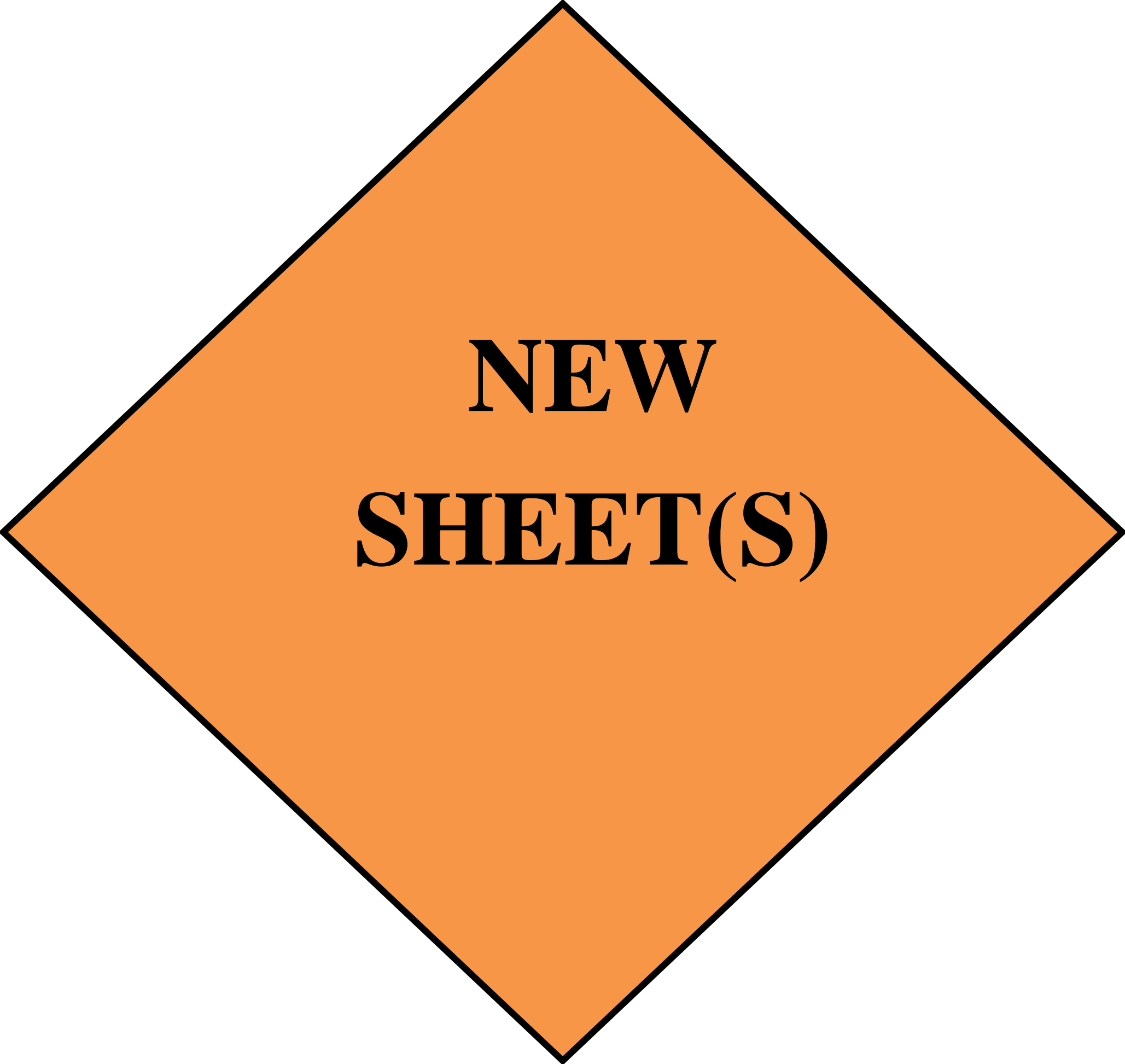
LIGHTING

SYSTEM



WEST METRO
JAMES SIMS
651-775-9495

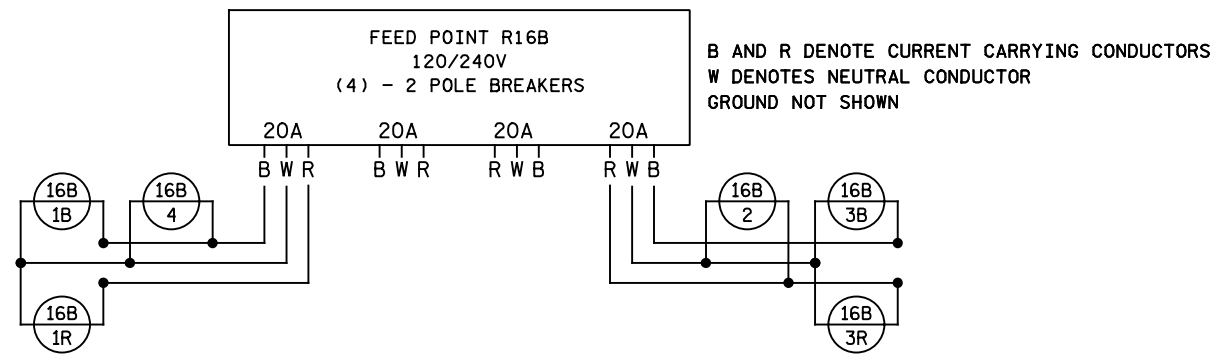
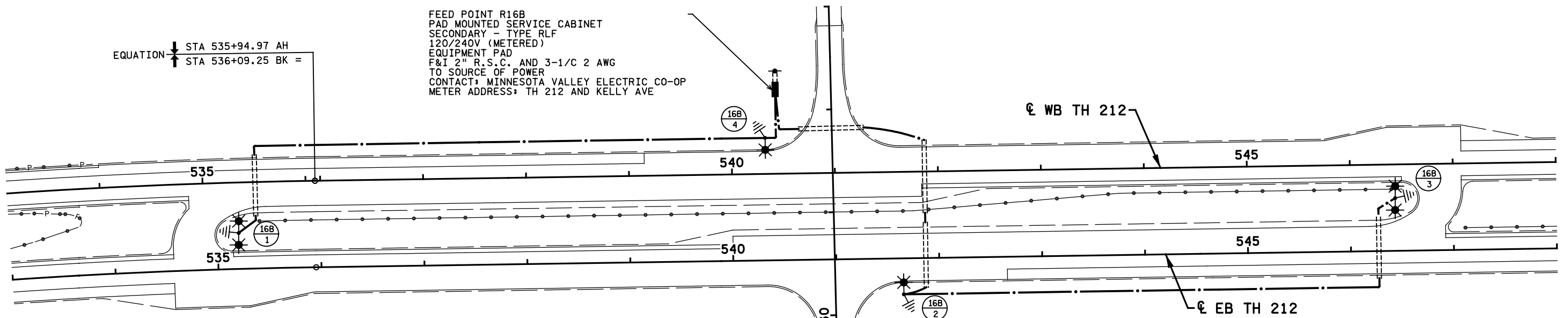
EAST METRO
TONY LARA
651-755-8697



**NEW
SHEET(S)**

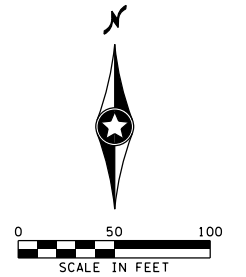
EQUATION
 STA 535+94.97 AH
 STA 536+09.25 BK =

FEED POINT R16B
 PAD MOUNTED SERVICE CABINET
 SECONDARY - TYPE RLF
 120/240V (METERED)
 EQUIPMENT PAD
 F&I 2" R.S.C. AND 3-1/C 2 AWG
 TO SOURCE OF POWER
 CONTACT: MINNESOTA VALLEY ELECTRIC CO-OP
 METER ADDRESS: TH 212 AND KELLY AVE



B AND R DENOTE CURRENT CARRYING CONDUCTORS
 W DENOTES NEUTRAL CONDUCTOR
 GROUND NOT SHOWN

NOTES:
 SEE SHEET NO. 461 FOR GENERAL NOTES AND LEGEND.



FEED POINT R16B							
NO.	STATION	L	R	LOCATION	TYPE	FOUNDATION	NOTES
1	535+21	X		EB TH 212	9D-40	DESIGN E	
2	541+65		X	EB TH 212	9-40	DESIGN E	
3	546+44	X		EB TH 212	9D-40	DESIGN E	
4	540+33	X		WB TH 212	9-40	DESIGN E	

12:46:41 PM
 11/18/2012
 cd101379_1102.dgn

NO	DATE	BY	CKD	APPR	REVISION

I hereby certify that this plan, specification, or report was prepared by me or under my direct supervision and that I am a duly Licensed Professional Engineer under the laws of the State of Minnesota.
 Print Name: STEVE MCHENRY
 Date: 12-18-20 License #: 46710

STATE PROJECT NO.
 010-596-012
 1013-79 (TH 212)

DRAWN BY
 T. RICHARDSON
 DESIGNED BY
 T. RICHARDSON
 CHECKED BY
 S. MCHENRY
 COMM. NO. 0148717



ENGINEERS
 PLANNERS
 DESIGNERS

MINNESOTA DEPARTMENT OF TRANSPORTATION
 LIGHTING PLANS AND DETAILS
 S.P. 1013-79 TH 212

SHEET 2 OF 9
 SHEET 462 OF 822