

FD. PT. S4P

LIGHTING STANDARDS AND BASES				
NO.	STATION	LT. RT.	LOCATION	TYPE
1	489+61	97	SB TH 169	3-100
2	INPLACE	-	I-494 WB	3-100
4	339+36	45	I-494 EB	3-100
5	INPLACE	-	I-494 EB	3-100
6	INPLACE	-	I-494 EB	3-100
7	INPLACE	-	I-494 EB	L
8	INPLACE	-	I-494 WB	L
9	524+12	**	RAMP F	L
10	341+41	**	I-494 EB	L
11	341+43	**	I-494 WB	L
12	112+19	**	RAMP I	L

\* RELOCATED  
\*\* ON ABUTMENT

FD. PT. R55

LIGHTING STANDARDS AND BASES				
NO.	STATION	LT. RT.	LOCATION	TYPE
2	471+42	49	TH 169 NB	9-49
3	474+22	52	TH 169 NB	9-49
4	476+73	54	TH 169 NB	9-49
5	479+28	39	TH 169 NB	9-49
6	482+25	40	TH 169 NB	9-49
8	1526+90	37	RAMP C	9-40
9	1529+64	26	RAMP C	9-40
10	1532+07	24	RAMP C	9-40
11	1534+22	33	RAMP C	9-40
12	1426+33	*	RAMP D	6B-40
13	1429+29	*	RAMP D	6B-40
14	482+21	35	TH 169 SB	9-49
15	478+48	62	TH 169 SB	9-49
16	475+64	64	TH 169 SB	9-49
17	473+08	34	TH 169 SB	9-49
18	470+23	47	TH 169 SB	9-49
19	913+29	*	RAMP B	6B-40
20	910+90	35	RAMP B	9-40
21	908+27	30	RAMP B	9-40
22	905+57	27	RAMP B	9-40
23	423+15	25	RAMP G	9-40
24	425+92	**	RAMP G	6B-40
25	428+55	38	RAMP G	9-40
26	701+20	47	RAMP F RT	9-40
27	601+30	37	RAMP A	9-40
28	603+67	37	RAMP A	9-40
29	606+20	33	RAMP A	9-40
30	608+16	18	RAMP A	9-40

\* BRIDGE UNIT  
\*\* RETAINING WALL UNIT

GENERAL NOTES

REUSE EXISTING SHIELDS ON NEW LUMINAIRES OF RELOCATED HIGH MAST POLES.

INPLACE 9-49 POLES ALONG TH 169 NORTH OF I-494 SHALL BE RELOCATED TO NEW LOCATIONS SHOWN ON PLAN.

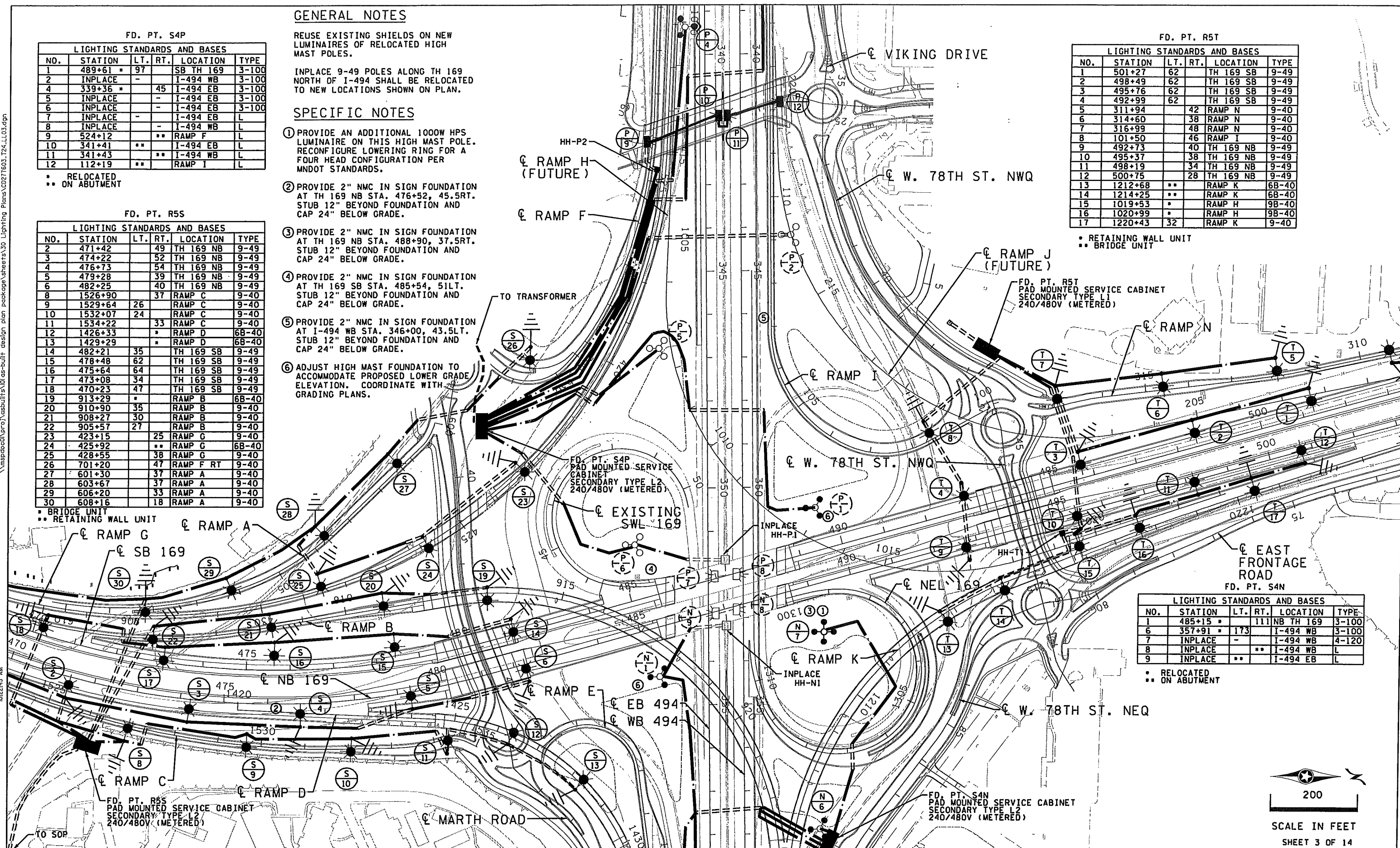
SPECIFIC NOTES

- PROVIDE AN ADDITIONAL 1000W HPS LUMINAIRE ON THIS HIGH MAST POLE. RECONFIGURE LOWERING RING FOR A FOUR HEAD CONFIGURATION PER MNDOT STANDARDS.
- PROVIDE 2" NMC IN SIGN FOUNDATION AT TH 169 NB STA. 476+52, 45.5RT. STUB 12" BEYOND FOUNDATION AND CAP 24" BELOW GRADE.
- PROVIDE 2" NMC IN SIGN FOUNDATION AT TH 169 NB STA. 488+90, 37.5RT. STUB 12" BEYOND FOUNDATION AND CAP 24" BELOW GRADE.
- PROVIDE 2" NMC IN SIGN FOUNDATION AT TH 169 SB STA. 485+54, 51LT. STUB 12" BEYOND FOUNDATION AND CAP 24" BELOW GRADE.
- PROVIDE 2" NMC IN SIGN FOUNDATION AT I-494 WB STA. 346+00, 43.5LT. STUB 12" BEYOND FOUNDATION AND CAP 24" BELOW GRADE.
- ADJUST HIGH MAST FOUNDATION TO ACCOMMODATE PROPOSED LOWER GRADE ELEVATION. COORDINATE WITH GRADING PLANS.

FD. PT. R5T

LIGHTING STANDARDS AND BASES				
NO.	STATION	LT. RT.	LOCATION	TYPE
1	501+27	62	TH 169 SB	9-49
2	498+49	62	TH 169 SB	9-49
3	495+76	62	TH 169 SB	9-49
4	492+99	62	TH 169 SB	9-49
5	311+94	42	RAMP N	9-40
6	314+60	38	RAMP N	9-40
7	316+99	48	RAMP N	9-40
8	101+50	46	RAMP I	9-40
9	492+73	40	TH 169 NB	9-49
10	495+37	38	TH 169 NB	9-49
11	498+19	34	TH 169 NB	9-49
12	500+75	28	TH 169 NB	9-49
13	1212+68	**	RAMP K	6B-40
14	1214+25	**	RAMP K	6B-40
15	1019+53	*	RAMP H	9B-40
16	1020+99	*	RAMP H	9B-40
17	1220+43	32	RAMP K	9-40

\* RETAINING WALL UNIT  
\*\* BRIDGE UNIT



LIGHTING STANDARDS AND BASES				
NO.	STATION	LT. RT.	LOCATION	TYPE
1	485+15	*	111 NB TH 169	3-100
6	357+91	173	I-494 WB	3-100
7	INPLACE	-	I-494 WB	4-120
8	INPLACE	**	I-494 WB	L
9	INPLACE	**	I-494 EB	L

\* RELOCATED  
\*\* ON ABUTMENT



SHEET 3 OF 14

SIGNATURE		DATE	
REV	DATE	BY	DESCRIPTION OF REVISION
	01-14-13		AS-BUILT

DRAWN:	TKF
CHECKED:	MAH
DESIGNED:	MAH
CHECKED:	BML



I HEREBY CERTIFY THAT THIS PLAN WAS PREPARED BY ME OR UNDER MY DIRECT SUPERVISION AND THAT I AM A DULY LICENSED PROFESSIONAL ENGINEER UNDER THE LAWS OF THE STATE OF MINNESOTA.

NAME: BEATRIZ A. MENDEZ-LORA LICENSE: 25230 DATE: 25230

LIGHTING SHEET  
TH 169 STA. 470-503

S.P. NO. 2776-03 (T.H. 169)  
SHEET NO. 1295 OF 2032 SHEETS

DESIGN PACKAGE T24

SHEET LOCATION SL\_C

DRAWING NAME CD277603\_T24.LL03

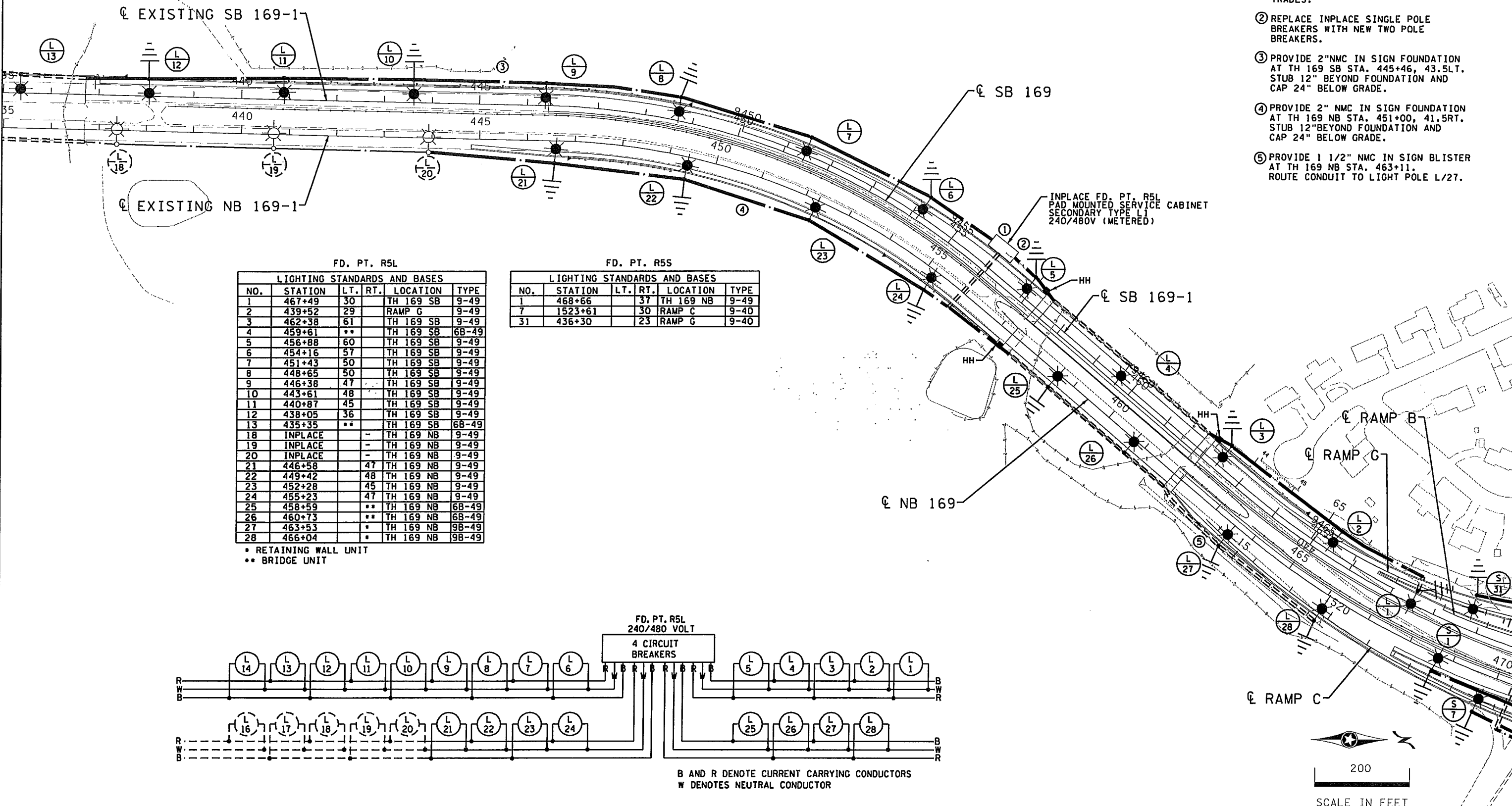
2/7/2013 10:22:45 AM \\mspec01\p\ra\as-built\plans\30 Lighting\plans\CD277603\_T24.LL03.dgn

**SPECIFIC NOTES**

- ① RELOCATE EXISTING SERVICE CABINET AWAY FROM EDGE OF NEW PAVEMENT. COORDINATE WITH XCEL AND OTHER TRADES.
- ② REPLACE INPLACE SINGLE POLE BREAKERS WITH NEW TWO POLE BREAKERS.
- ③ PROVIDE 2" NMC IN SIGN FOUNDATION AT TH 169 SB STA. 445+46, 43.5LT. STUB 12" BEYOND FOUNDATION AND CAP 24" BELOW GRADE.
- ④ PROVIDE 2" NMC IN SIGN FOUNDATION AT TH 169 NB STA. 451+00, 41.5RT. STUB 12" BEYOND FOUNDATION AND CAP 24" BELOW GRADE.
- ⑤ PROVIDE 1 1/2" NMC IN SIGN BLISTER AT TH 169 NB STA. 463+11. ROUTE CONDUIT TO LIGHT POLE L/27.

\\mspec01\proj\as-built\design\plan\_package\sheet\30\_Lighting\_Plan\_CD277603\_T24\_LL02.dgn

10:22:35 AM 2/7/2013



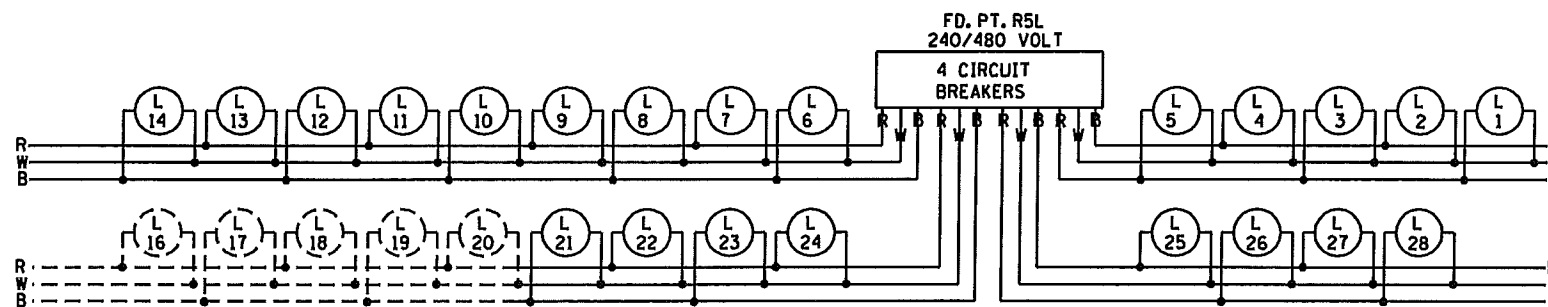
**FD. PT. R5L**

LIGHTING STANDARDS AND BASES					
NO.	STATION	LT.	RT.	LOCATION	TYPE
1	467+49	30		TH 169 SB	9-49
2	439+52	29		RAMP G	9-49
3	462+38	61		TH 169 SB	9-49
4	459+61	**		TH 169 SB	6B-49
5	456+88	60		TH 169 SB	9-49
6	454+16	57		TH 169 SB	9-49
7	451+43	50		TH 169 SB	9-49
8	448+65	50		TH 169 SB	9-49
9	446+38	47		TH 169 SB	9-49
10	443+61	48		TH 169 SB	9-49
11	440+87	45		TH 169 SB	9-49
12	438+05	36		TH 169 SB	9-49
13	435+35	**		TH 169 SB	6B-49
18	INPLACE	-	-	TH 169 NB	9-49
19	INPLACE	-	-	TH 169 NB	9-49
20	INPLACE	-	-	TH 169 NB	9-49
21	446+58	47		TH 169 NB	9-49
22	449+42	48		TH 169 NB	9-49
23	452+28	45		TH 169 NB	9-49
24	455+23	47		TH 169 NB	9-49
25	458+59	**		TH 169 NB	6B-49
26	460+73	**		TH 169 NB	6B-49
27	463+53	*		TH 169 NB	9B-49
28	466+04	*		TH 169 NB	9B-49

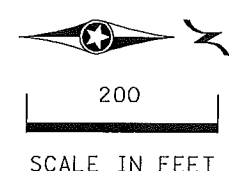
\* RETAINING WALL UNIT  
 \*\* BRIDGE UNIT

**FD. PT. R55**

LIGHTING STANDARDS AND BASES					
NO.	STATION	LT.	RT.	LOCATION	TYPE
1	468+66		37	TH 169 NB	9-49
7	1523+61		30	RAMP C	9-40
31	436+30		23	RAMP G	9-40



B AND R DENOTE CURRENT CARRYING CONDUCTORS  
W DENOTES NEUTRAL CONDUCTOR



SHEET 2 OF 14

MNDOT		DRAWN: TKF
SIGNATURE _____ DATE _____		CHECKED: MAH
REV	DATE	BY
	01-14-13	
DESCRIPTION OF REVISION		DESIGNED: MAH
AS-BUILT		CHECKED: BML

**JACOBS** *MP Consultants*  
CONSULTING ENGINEERS

**C.S. McCrossan**  
KRAEMER

I HEREBY CERTIFY THAT THIS PLAN WAS PREPARED BY ME OR UNDER MY DIRECT SUPERVISION AND THAT I AM A DULY LICENSED PROFESSIONAL ENGINEER UNDER THE LAWS OF THE STATE OF MINNESOTA.  
NAME BEATRIZ A MENDEZ-LORA LICENSE 25230

**LIGHTING SHEET**  
TH 169 STA. 435-470  
S.P. NO. 2776-03 (T.H. 169)  
SHEET NO. 1294 OF 2032 SHEETS

DESIGN PACKAGE T24  
SHEET LOCATION SL\_B  
DRAWING NAME CD277603\_T24\_LL02

